

REACT

Description of functions & wiring diagrams

20221025
Document version: 3

Content

Description of products.....	3
Constant flow regulation	4
Air flow control.....	5
Two-flow control with occupancy detector	6
Air flow control with temperature and CO ₂ function.....	7
Air flow control with temperature, CO ₂ and occupancy function	8
Air flow control with temperature and CO ₂ function via external occupancy detector	9
Air flow control with temperature regulator for demand control.....	10
Air flow control with temperature controller for demand control	11
Air flow control with temperature controller for demand control	12
Air flow control with temperature and CO ₂ controller for demand control	13
Air flow control with controller for demand control.....	14
Air flow control with temperature regulator for demand control and occupancy function.....	15
Air flow control with controller for demand control and occupancy function	16
Air flow control with temperature controller for demand control and absence control	17
Air flow control with demand control via Modbus communication	18
Parallel controlled air flow control	19
Parallel controlled two-flow control with occupancy detector.....	20
Parallel controlled air flow control with temperature and CO ₂ function	21
Parallel controlled air flow control with temperature, CO ₂ and occupancy function	22
Parallel controlled air flow control with temperature and CO ₂ function via external occupancy detector.....	23
Parallel controlled air flow control with temperature regulator for demand control	24
Parallel controlled air flow control with controller for demand control	25
Parallel controlled air flow control with temperature regulator for demand control and occupancy function	26
Parallel controlled air flow control with controller for demand control and occupancy function.....	27
Parallel controlled air flow control with temperature controller for demand control and absence control.....	28
Balanced air flow control.....	29
Balanced two-flow control with occupancy detector	30
Balanced air flow control with temperature and CO ₂ function	31
Balanced air flow control with temperature, CO ₂ and occupancy function	32
Balanced air flow control with temperature and CO ₂ function via external occupancy detector	33
Balanced air flow control with temperature controller for demand control	34
Balanced air flow control with controller for demand control.....	35
Balanced air flow control with temperature regulator for demand control and occupancy function.....	36

REACT Description of functions & wiring diagrams

Balanced air flow control with controller for demand control and occupancy function	37
Balanced air flow control with temperature controller for demand control and absence control	38
Measurement of air flow	39
Air flow measurement with slave-controlled air flow control in balance	40
Air flow measurement with slave-controlled air flow control with offset	41
Constant pressure regulation	42
Constant pressure regulation with external regulator	43
Parallel controlled pressure regulation	44
Parallel controlled pressure regulation with external regulator	45
Balanced pressure regulation	46
Balanced pressure regulation with external regulator	47
Constant pressure regulation and air flow measurement with slave-controlled air flow control	48
Constant pressure regulation with external regulator and air flow measurement with slave-controlled air flow control ...	49
Pressure regulation and air flow measurement with slave- controlled air flow control	50
Pressure regulation with external regulator and air flow measurement with slave-controlled air flow control	51

Description of products

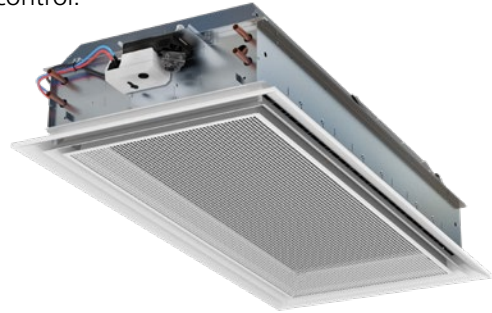
REACT ALS

Commissioning box with variable flow regulation for air diffusers.



REACT Parasol Zenith

Comfort module with integrated, pressure-independent VAV control.



REACT M

Stand-alone measurement unit for measuring air flow.



REACT V (-SR spring return)

Damper for variable or constant flow regulation.



REACT P

Damper for pressure regulation.



REACT P-X (-SR spring return)

Damper for pressure regulation.



Room accessories

DETECT IAQ

Carbon dioxide and temperature controller.



DETECT IAQ OCS

Carbon dioxide and temperature controller that also detects occupancy.



DETECT IAQ D

Carbon dioxide and temperature controller for duct installation.



DETECT Occupancy

Electronic occupancy detector.



LUNA RC

Room controller for temperature control with display.



LUNA RC CO₂

Room controller for temperature control with CO₂ sensor and display.



LUNA RE

Room controller for temperature regulation.



Constant flow regulation

Air flow measurement and damper regulation to maintain the set air flow.

Possibility of Modbus control/communication or Modbus in combination with analogue signals.

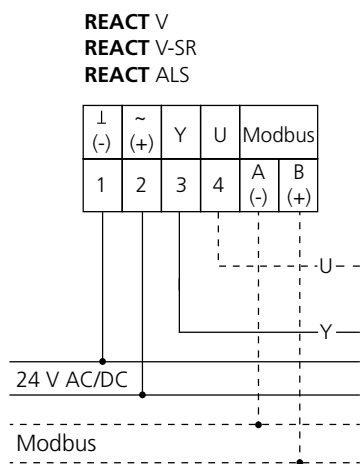
Settings

Vmin : Constant flow

Vmax : 0 l/s

Indicates "Test" on the display.

Wiring diagram



Notes

Air flow control

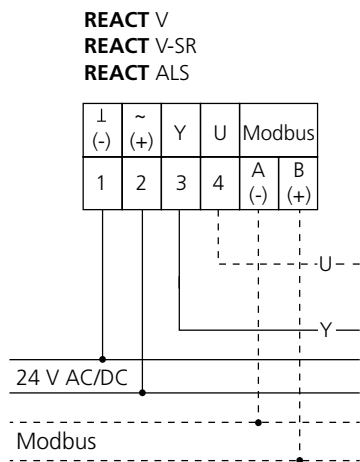
Air flow measurement and regulating damper that variably controls the air flow between minimum and maximum flow rate depending on the control signal.

Demand control via analogue control signal (Y). Return of the current air flow via analogue actual value signal (U). Possibility of Modbus control/communication or Modbus in combination with analogue signals.

Settings

- Vmin : Minimum flow rate
- Vmax : Maximum flow rate
- Mode : 0 (2)-10 V

Wiring diagram



Notes

Two-flow control with occupancy detector

Air flow measurement and regulating damper that controls the air flow on the set position. The damper switches via occupancy detection between two fixed flows.

Demand control via analogue control signal (Y). Return of the current air flow via analogue actual value signal (U). Possibility of Modbus control/communication or Modbus in combination with analogue signals.

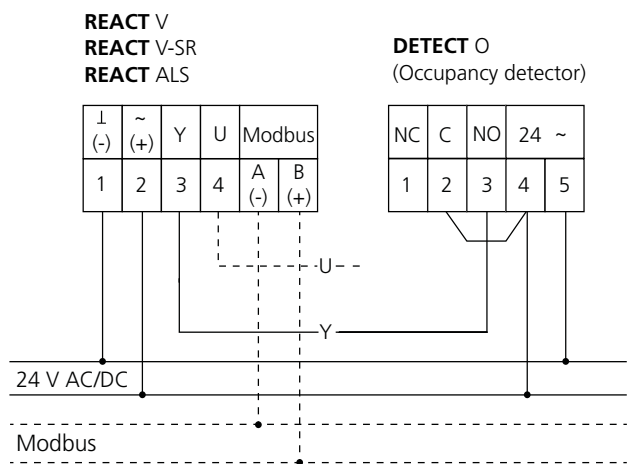
Settings

Vmin : Unoccupied flow

Vmax : Occupancy flow

The damper will indicate "Test" on the display when boosting (occupancy) to show it is manually boosted.

Wiring diagram



Notes

Air flow control with temperature and CO₂ function

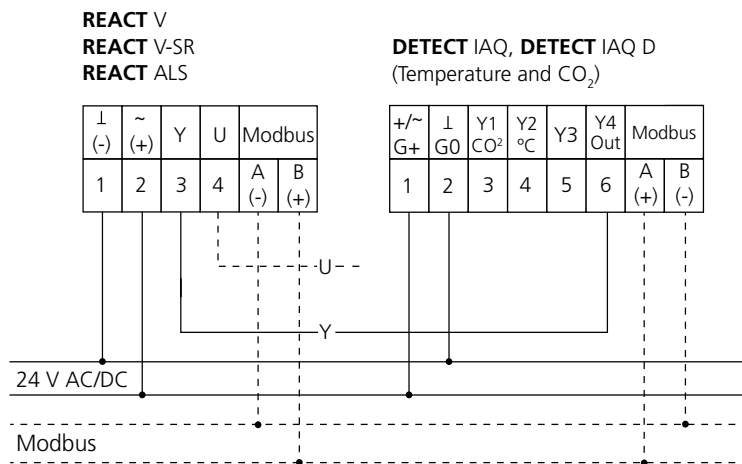
Air flow measurement and regulating damper that variably controls the air flow between minimum and maximum flow rate depending on the current temperature and the CO₂ content in the room.

Demand control via analogue control signal (Y). Return of the current air flow via analogue actual value signal (U). Possibility of Modbus control/communication or Modbus in combination with analogue signals.

Settings

- Vmin : Minimum flow rate
- Vmax : Maximum flow rate
- Mode : 0-10 V

Wiring diagram



Notes

Air flow control with temperature, CO₂ and occupancy function

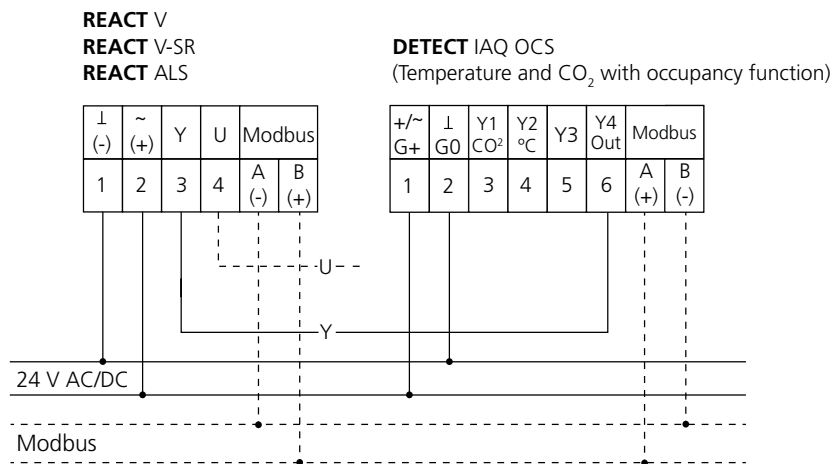
Air flow measurement and regulating damper that variably controls the air flow between the minimum and maximum flow rate depending on the current temperature and the CO₂ content in the room. Occupancy is detected via occupancy detectors. The damper is regulated to minimum flow rate in no-occupancy mode.

Demand control via analogue control signal (Y). Return of the current air flow via analogue actual value signal (U). Possibility of Modbus control/communication or Modbus in combination with analogue signals.

Settings

- Vmin : Minimum flow rate
- Vmax : Maximum flow rate
- Mode : 0-10 V

Wiring diagram



Notes

Air flow control with temperature and CO₂ function via external occupancy detector

Air flow measurement and regulating damper that variably controls the air flow between minimum and maximum flow rate depending on the current temperature and the CO₂ content in the room. Occupancy is detected in the room via the occupancy detector. The damper is regulated to minimum flow rate in no-occupancy mode.

Demand control via analogue control signal (Y). Return of the current air flow via analogue actual value signal (U). Possibility of Modbus control/communication or Modbus in combination with analogue signals.

Settings

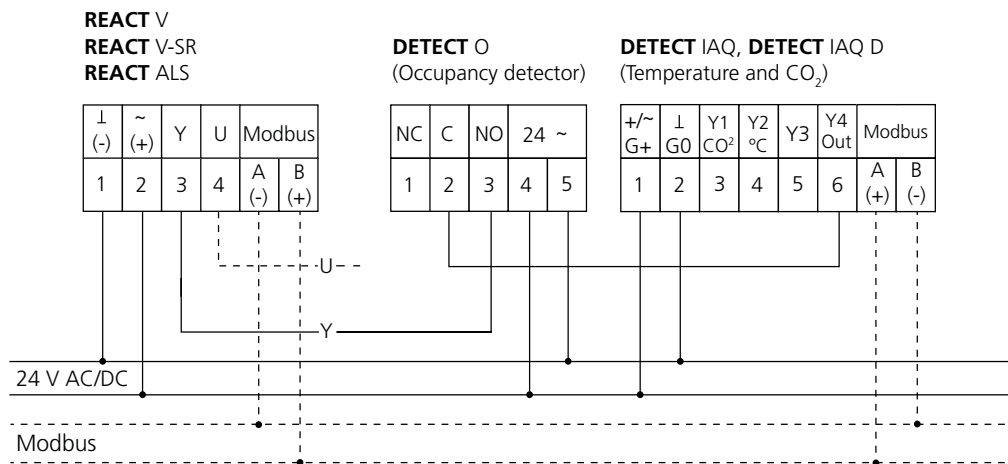
Vmin : Minimum flow rate

Vmax : Maximum flow rate

Mode : 0-10 V

Settings for the on and off delay are made on the occupancy detector.

Wiring diagram



Notes

Air flow control with temperature regulator for demand control

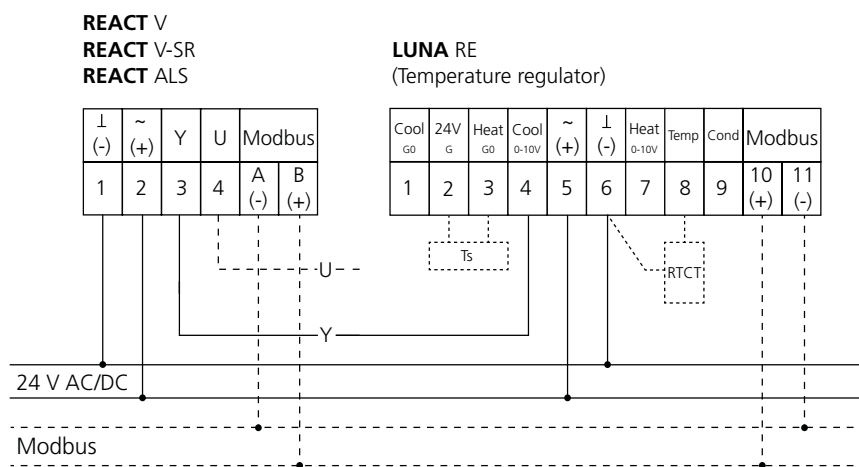
Air flow measurement and regulating damper that variably controls the air flow between the set minimum and maximum flow rate (cooling function) depending on the temperature set point. The wiring diagram also shows the alternative with RTCT duct temperature sensor and thermo-actuator (heating function).

Demand control via analogue control signal (Y). Return of the current air flow via analogue actual value signal (U). Possibility of Modbus control/communication or Modbus in combination with analogue signals.

Settings

- Vmin : Minimum flow rate
- Vmax : Maximum flow rate
- Mode : 0 (2)-10 V

Wiring diagram



Notes

Air flow control with temperature controller for demand control

Air flow measurement and regulating damper that variably controls the air flow between the set minimum and maximum flow rate (cooling function). Control of thermo-actuators for cooling/heating.

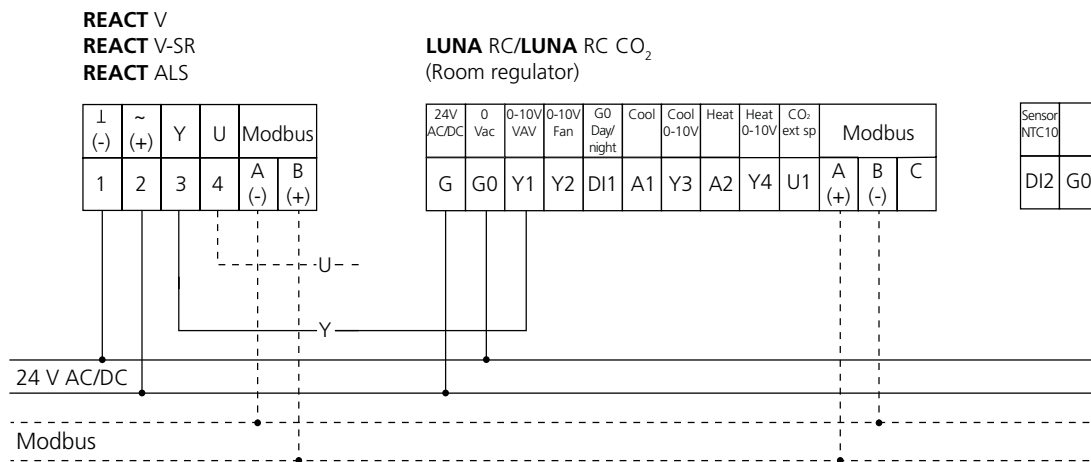
Demand control via analogue control signal (Y). Return of the current air flow via analogue actual value signal (U). Potential to connect condensation sensor.

Possibility of Modbus control/communication or Modbus in combination with analogue signals.

Settings

- Vmin : Minimum flow rate
- Vmax : Maximum flow rate
- Mode : 0-10 V

Wiring diagram



Notes

Air flow control with temperature controller for demand control

Air flow measurement and regulating damper that variably controls the air flow between the set minimum and maximum flow rate (cooling function). Control of thermo-actuators for cooling/heating.

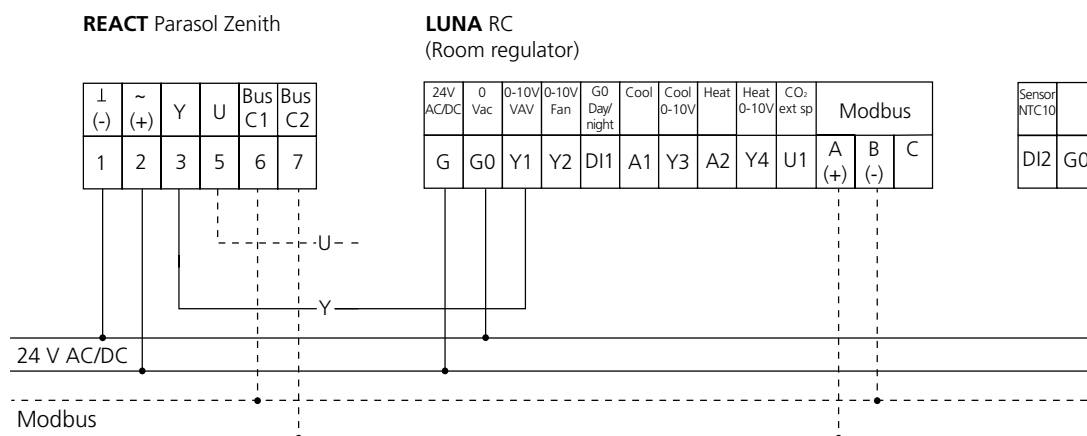
Demand control via analogue control signal (Y). Return of the current air flow via analogue actual value signal (U). Potential to connect condensation sensor.

Possibility of Modbus control/communication or Modbus in combination with analogue signals.

Settings

- Vmin : Minimum flow rate
- Vmax : Maximum flow rate
- Mode : 0-10 V

Wiring diagram



Notes

Air flow control with temperature and CO₂ controller for demand control

Air flow measurement and regulating damper that variably controls the air flow between the set minimum and maximum flow rate (cooling function). Control of thermo-actuators for cooling/heating.

Demand control via analogue control signal (Y). Return of the current air flow via analogue actual value signal (U).

Potential to connect condensation sensor.

Possibility of Modbus control/communication or Modbus in combination with analogue signals.

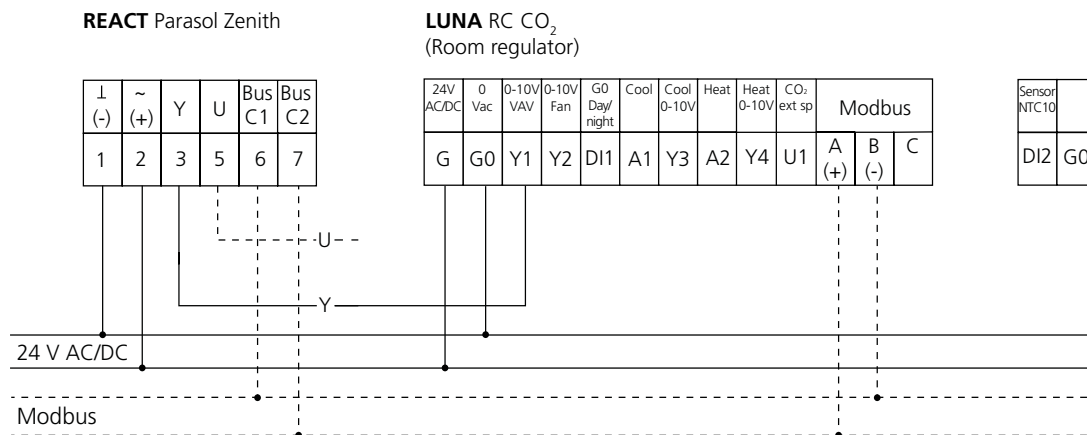
Settings

Vmin : Minimum flow rate

Vmax : Maximum flow rate

Mode : 0-10 V

Wiring diagram



Notes

Air flow control with controller for demand control

Air flow measurement and regulating damper that variably controls the air flow between minimum and maximum flow rate depending on the control signal.

Demand control via analogue control signal (Y). Return of the current air flow via analogue actual value signal (U). Possibility of Modbus control/communication or Modbus in combination with analogue signals.

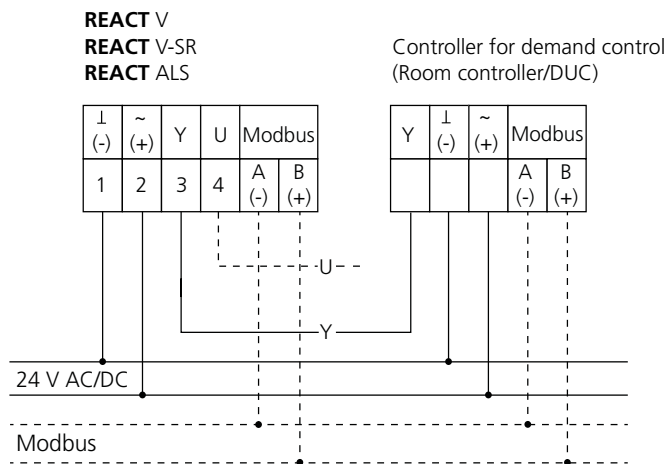
Settings

Vmin : Minimum flow rate

Vmax : Maximum flow rate

Mode : 0 (2)-10 V

Wiring diagram



Notes

Air flow control with temperature regulator for demand control and occupancy function

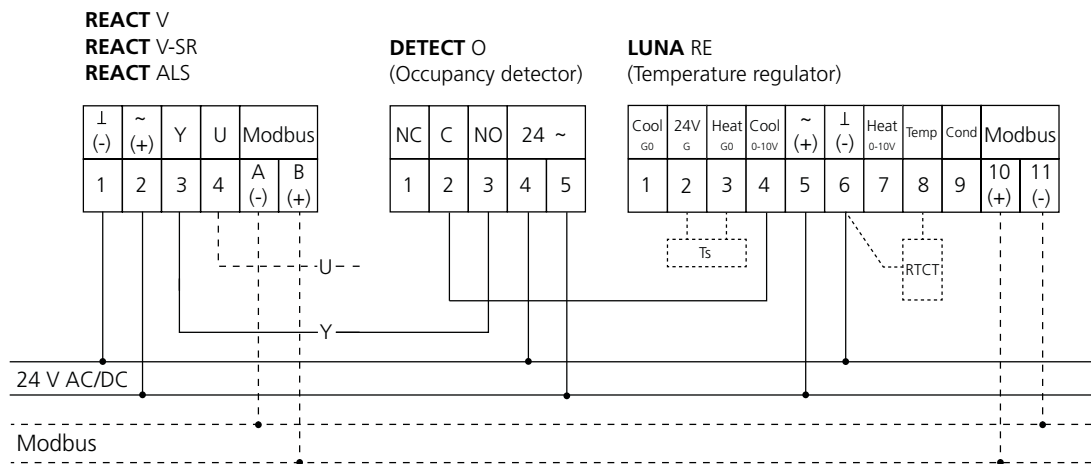
Air flow measurement and regulating damper that variably controls the air flow between the set minimum and maximum flow rate (cooling function) depending on the temperature set point in occupancy mode. The room is regulated to minimum flow rate in no-occupancy mode. The wiring diagram also shows the alternative with RTCT duct temperature sensor and thermo-actuator (heating function).

Demand control via analogue control signal (Y). Return of the current air flow via analogue actual value signal (U). Possibility of Modbus control/communication or Modbus in combination with analogue signals.

Settings

- Vmin : Minimum flow rate
- Vmax : Maximum flow rate
- Mode : 0 (2)-10 V

Wiring diagram



Notes

Air flow control with controller for demand control and occupancy function

Air flow measurement and regulating damper that variably controls the air flow between minimum and maximum flow rate depending on the control signal in occupancy mode. The room is regulated to minimum flow rate in no-occupancy mode.

Demand control via analogue control signal (Y). Return of the current air flow via analogue actual value signal (U). Possibility of Modbus control/communication or Modbus in combination with analogue signals.

Settings

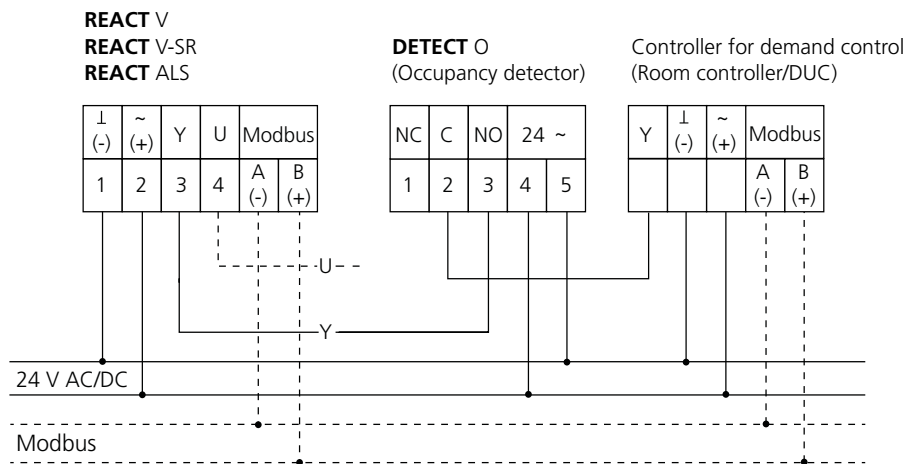
Vmin : Minimum flow rate

Vmax : Maximum flow rate

Mode : 0 (2)-10 V

Settings for the on and off delay are made on the occupancy detector.

Wiring diagram



Notes

Air flow control with temperature controller for demand control and absence control

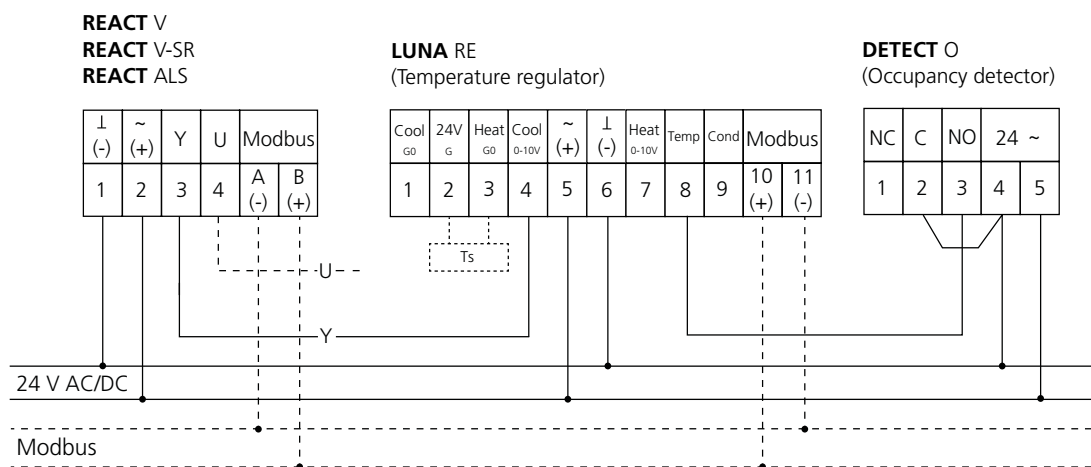
Air flow measurement and regulating damper that variably controls the air flow between the set minimum and maximum flow rate (cooling function) depending on the temperature set point in occupancy mode. The room is set to absence temperature set point in no-occupancy mode. The wiring diagram also shows the alternative with RTCT duct temperature sensor and thermo-actuator (heating function).

Demand control via analogue control signal (Y). Return of the current air flow via analogue actual value signal (U). Possibility of Modbus control/communication or Modbus in combination with analogue signals.

Settings

- Vmin : Minimum flow rate
- Vmax : Maximum flow rate
- Mode : 0-10 V

Wiring diagram



Notes

Air flow control with demand control via Modbus communication

Air flow measurement and regulating damper that variably controls the air flow between the set minimum and maximum flow rate.

Demand control via Modbus communication.

Possibility of Modbus control/communication only or Modbus in combination with analogue signals.

Settings

Vmin : Minimum flow rate

Vmax : Maximum flow rate

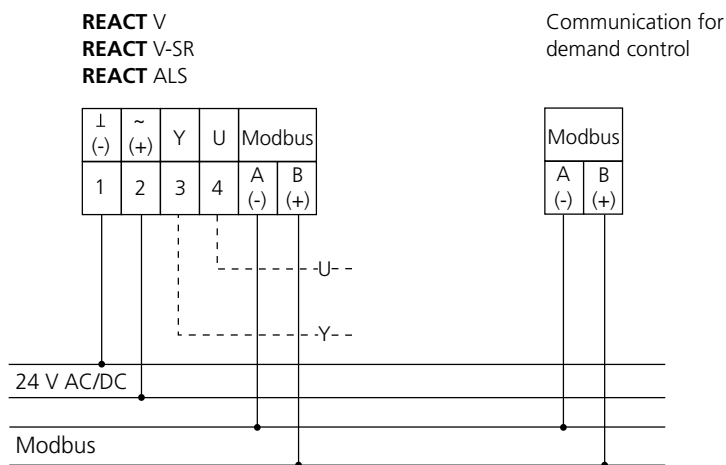
Modbus

Set point function (Address 122) : 1 or 2

Set point (Address 0) : 0 = 0%, 10,000 = 100%

For further information, see the Modbus document for REACT.

Wiring diagram



Notes

Parallel controlled air flow control

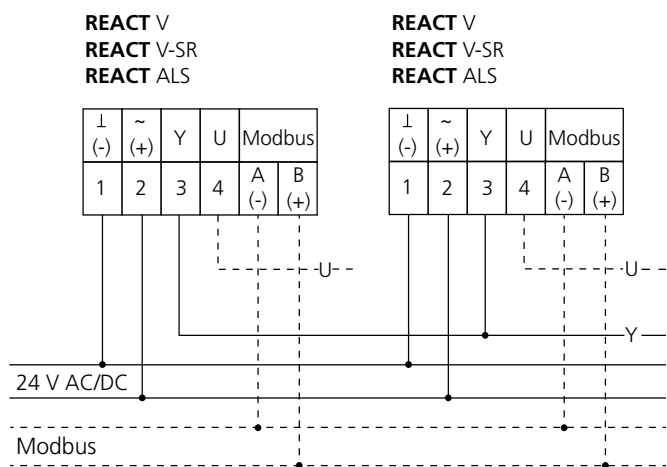
Air flow measurement and regulating damper that variably controls the air flow in parallel between minimum and maximum flow rate depending on the control signal.

Demand control via analogue control signal (Y). Return of the current air flow via analogue actual value signal (U). Possibility of Modbus control/communication or Modbus in combination with analogue signals.

Settings

- Vmin : Minimum flow rate
- Vmax : Maximum flow rate
- Mode : 0 (2)-10 V

Wiring diagram



Notes

Parallel controlled two-flow control with occupancy detector

Air flow measurement and regulating damper that controls the air flow on the set position. The dampers switch via occupancy detection between two fixed flows.

Demand control via analogue control signal (Y). Return of the current air flow via analogue actual value signal (U). Possibility of Modbus control/communication or Modbus in combination with analogue signals.

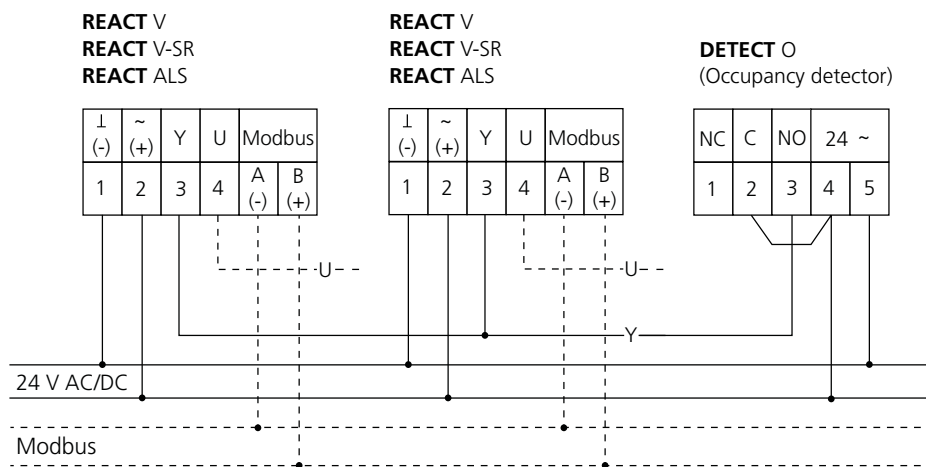
Settings

Vmin : Unoccupied flow

Vmax : Occupancy flow

The dampers will indicate "Test" on the display when boosting (occupancy) to show they are manually boosted.

Wiring diagram



Notes

Parallel controlled air flow control with temperature and CO₂ function

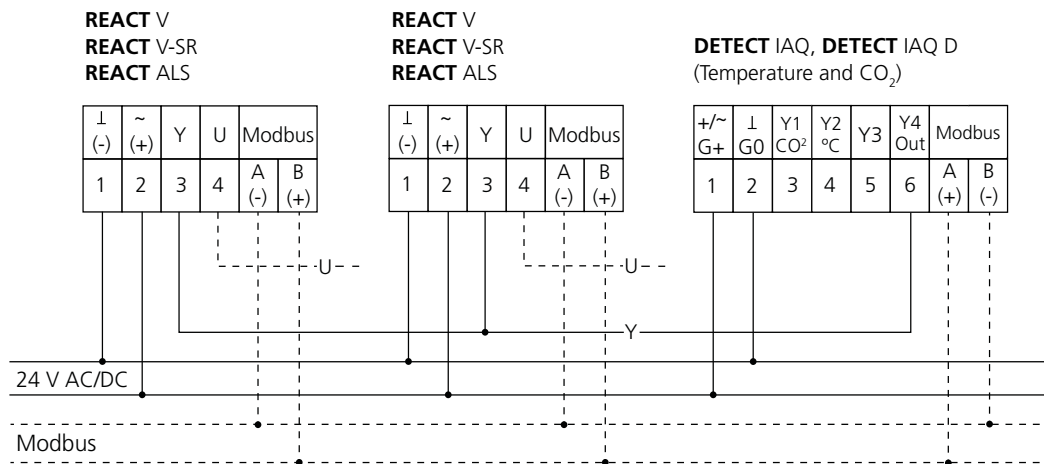
Air flow measurement and regulating damper that variably control the air flow in parallel between minimum and maximum flow rate depending on the current temperature and the CO₂ content in the room.

Demand control via analogue control signal (Y). Return of the current air flow via analogue actual value signal (U). Possibility of Modbus control/communication or Modbus in combination with analogue signals.

Settings

- Vmin : Minimum flow rate
- Vmax : Maximum flow rate
- Mode : 0-10 V

Wiring diagram



Notes

Parallel controlled air flow control with temperature, CO₂ and occupancy function

Air flow measurement and regulating damper that variably control the air flow in parallel between minimum and maximum flow rate depending on the current temperature and the CO₂ content in the room. Occupancy is detected in the room via the occupancy detector. The damper is regulated to minimum flow rate in no-occupancy mode.

Demand control via analogue control signal (Y). Return of the current air flow via analogue actual value signal (U). Possibility of Modbus control/communication or Modbus in combination with analogue signals.

Settings

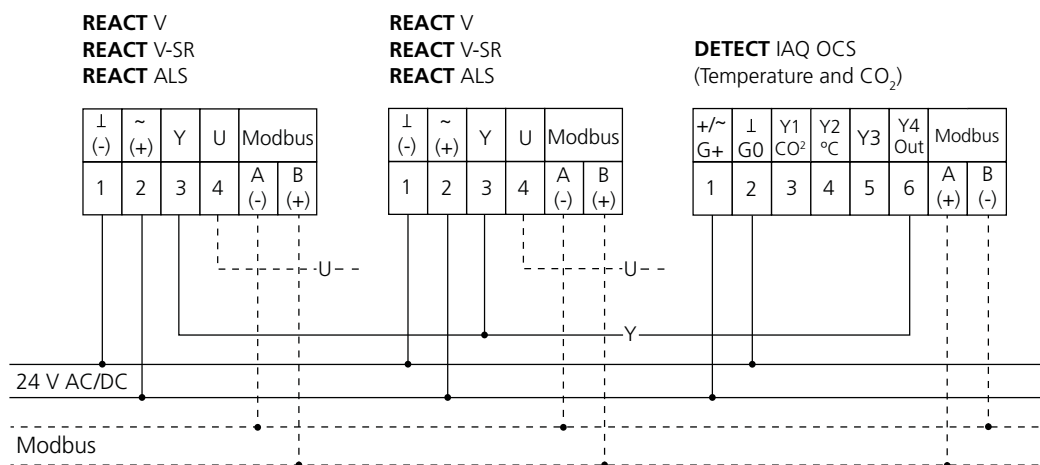
Vmin : Minimum flow rate

Vmax : Maximum flow rate

Mode : 0-10 V

Settings for the on and off delay are made on the occupancy detector.

Wiring diagram



Notes

Parallel controlled air flow control with temperature and CO₂ function via external occupancy detector

Air flow measurement and regulating damper that variably control the air flow in parallel between the minimum and maximum flow rate depending on the current temperature and the CO₂ content in the room. Occupancy is detected in the room via the occupancy detector. The damper is regulated to minimum flow rate in no-occupancy mode.

Demand control via analogue control signal (Y). Return of the current air flow via analogue actual value signal (U). Possibility of Modbus control/communication or Modbus in combination with analogue signals.

Settings

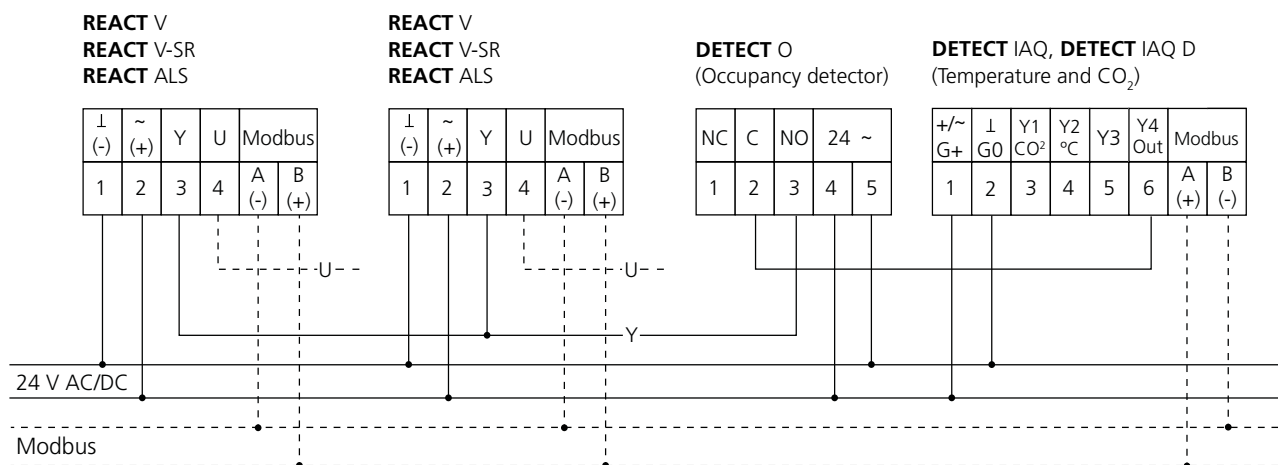
Vmin : Minimum flow rate

Vmax : Maximum flow rate

Mode : 0-10 V

Settings for the on and off delay are made on the occupancy detector.

Wiring diagram



Notes

Parallel controlled air flow control with temperature regulator for demand control

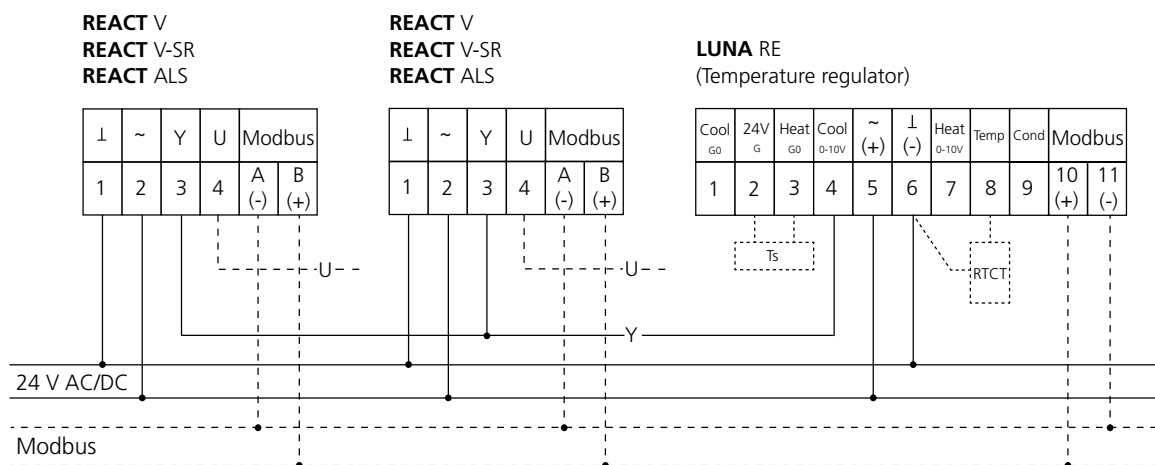
Air flow measurement and regulating damper that variably controls the air flow in parallel between the set minimum and maximum flow rate (cooling function) depending on the temperature set point. The wiring diagram also shows the alternative with RTCT duct temperature sensor and thermo-actuator (heating function).

Demand control via analogue control signal (Y). Return of the current air flow via analogue actual value signal (U). Possibility of Modbus control/communication or Modbus in combination with analogue signals.

Settings

- Vmin : Minimum flow rate
- Vmax : Maximum flow rate
- Mode : 0-10 V

Wiring diagram



Notes

Parallel controlled air flow control with controller for demand control

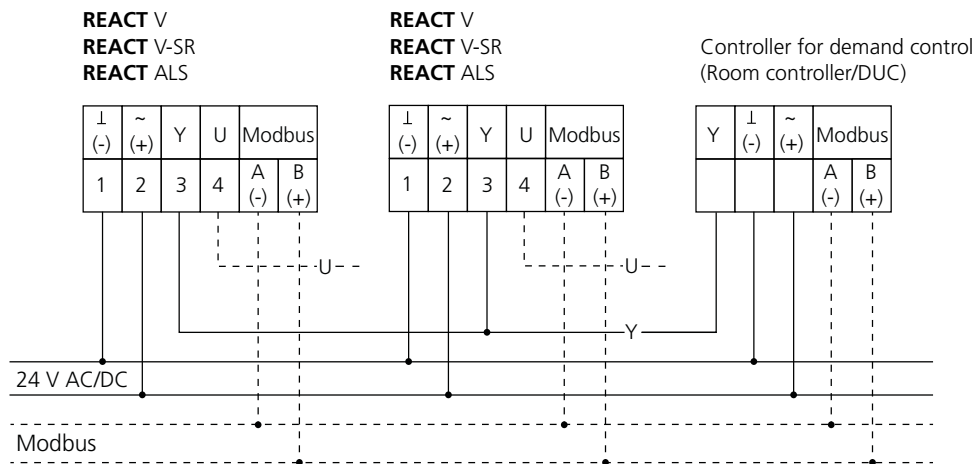
Air flow measurement and regulating damper that variably controls the air flow in parallel between minimum and maximum flow rate depending on the control signal.

Demand control via analogue control signal (Y). Return of the current air flow via analogue actual value signal (U). Possibility of Modbus control/communication or Modbus in combination with analogue signals.

Settings

- Vmin : Minimum flow rate
- Vmax : Maximum flow rate
- Mode : 0 (2)-10 V

Wiring diagram



Notes

Parallel controlled air flow control with temperature regulator for demand control and occupancy function

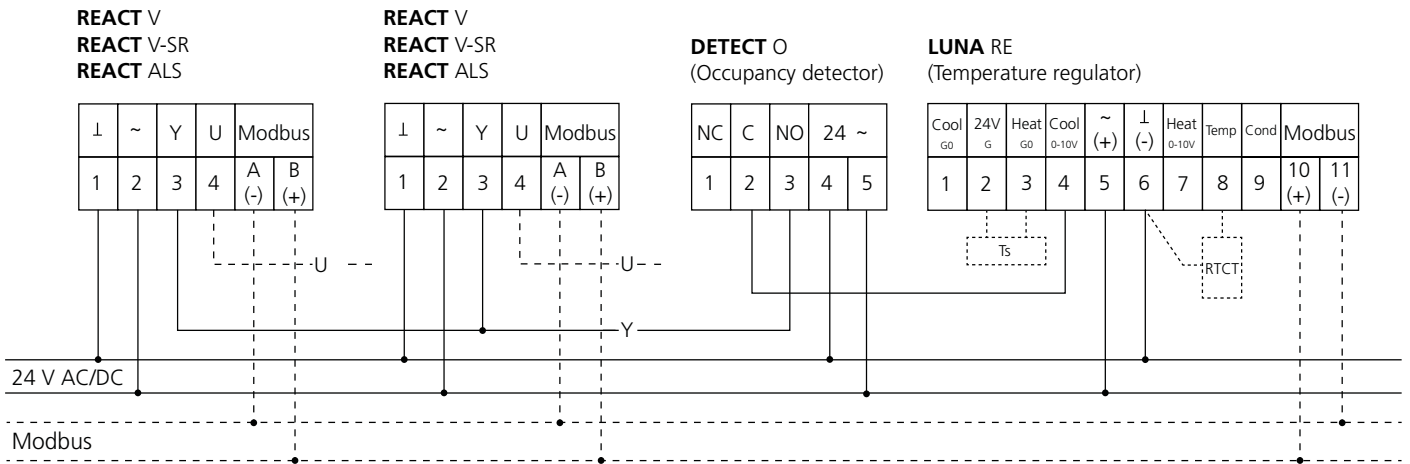
Air flow measurement and regulating damper that variably controls the air flow in parallel between the set minimum and maximum flow rate (cooling function) depending on the temperature set point in occupancy mode. The room is regulated to minimum flow rate in no-occupancy mode. The wiring diagram also shows the alternative with RTCT duct temperature sensor and thermo-actuator (heating function).

Demand control via analogue control signal (Y). Return of the current air flow via analogue actual value signal (U). Possibility of Modbus control/communication or Modbus in combination with analogue signals.

Settings

- Vmin : Minimum flow rate
- Vmax : Maximum flow rate
- Mode : 0-10 V

Wiring diagram



Notes

Parallel controlled air flow control with controller for demand control and occupancy function

Air flow measurement and regulating damper that variably controls the air flow in parallel between minimum and maximum flow rate depending on the control signal in occupancy mode. The room is regulated to minimum flow rate in no-occupancy mode.

Demand control via analogue control signal (Y). Return of the current air flow via analogue actual value signal (U). Possibility of Modbus control/communication or Modbus in combination with analogue signals.

Settings

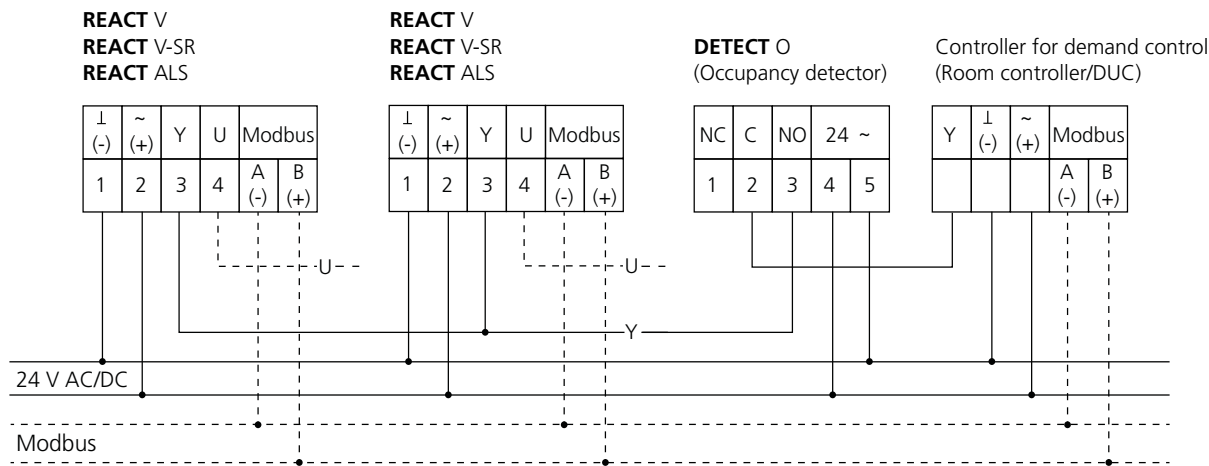
Vmin : Minimum flow rate

Vmax : Maximum flow rate

Mode : 0 (2)-10 V

Settings for the on and off delay are made on the occupancy detector.

Wiring diagram



Notes

Parallel controlled air flow control with temperature controller for demand control and absence control

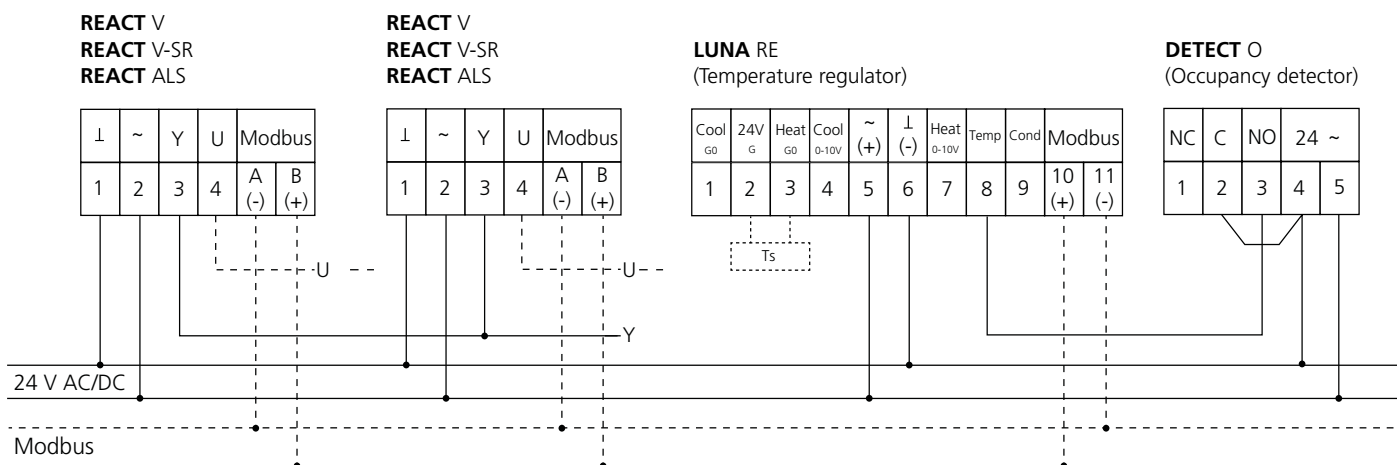
Air flow measurement and regulating damper that variably controls the air flow in parallel between the set minimum and maximum flow rate (cooling function) depending on the temperature set point in occupancy mode. The room is set to absence temperature set point in no-occupancy mode. The wiring diagram also shows the alternative with RTCT duct temperature sensor and thermo-actuator (heating function).

Demand control via analogue control signal (Y). Return of the current air flow via analogue actual value signal (U). Possibility of Modbus control/communication or Modbus in combination with analogue signals.

Settings

- Vmin : Minimum flow rate
- Vmax : Maximum flow rate
- Mode : 0-10 V

Wiring diagram



Notes

Balanced air flow control

Air flow measurement and regulating damper that variably controls the air flow between minimum and maximum flow rate depending on the control signal. The air flow value from the master damper is sent analogously to the slave damper to maintain the balance in the room.

Demand control via analogue control signal (Y). Return of the current air flow via analogue actual value signal (U). Possibility of Modbus control/communication or Modbus in combination with analogue signals.

Settings

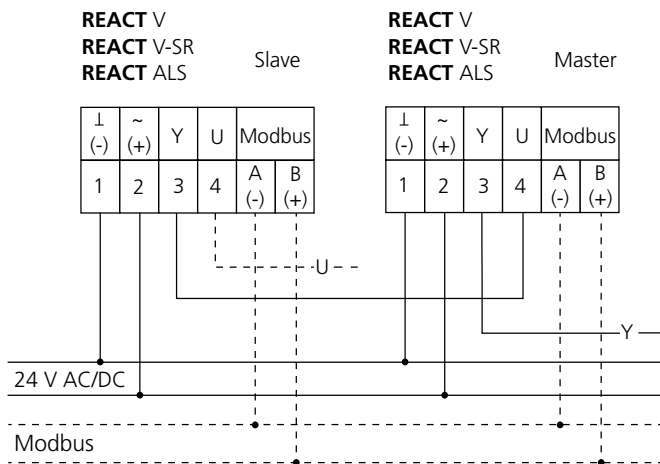
Master

- Vmin : Minimum flow rate
- Vmax : Maximum flow rate
- Mode : 0 (2)-10 V

Slave

- Vmin : 0
- Vmax : Vnom on Master
- Mode : Same as Master

Wiring diagram



Notes

Balanced two-flow control with occupancy detector

Air flow measurement and regulating damper that controls the air flow on the set position. The damper switches via occupancy detection between two fixed flows. The air flow value from the master damper is sent analogously to the slave damper to maintain the balance in the room.

Demand control via analogue control signal (Y). Return of the current air flow via analogue actual value signal (U). Possibility of Modbus control/communication or Modbus in combination with analogue signals.

Settings

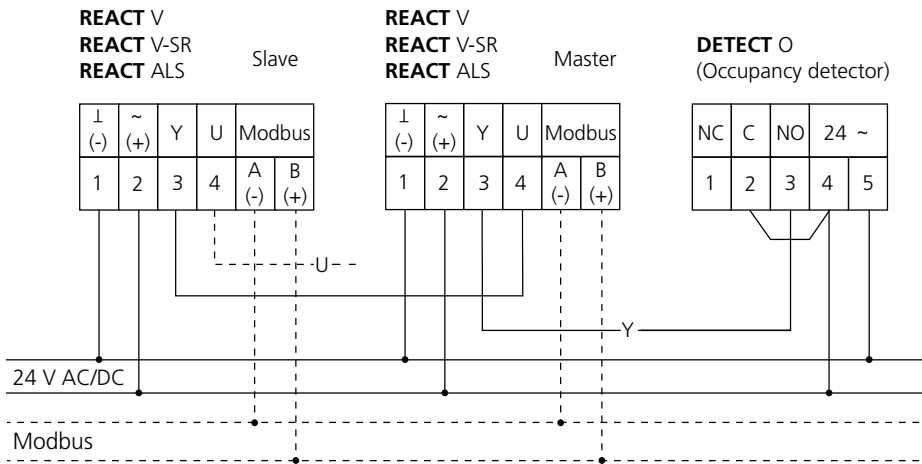
Master

- Vmin : Minimum flow rate
- Vmax : Maximum flow rate
- Mode : 0 (2)-10 V

Slave

- Vmin : 0
- Vmax : Vnom on Master
- Mode : Same as Master

Wiring diagram



Notes

Balanced air flow control with temperature and CO₂ function

Air flow measurement and regulating damper that variably controls the air flow between minimum and maximum flow rate depending on the current temperature and the CO₂ content in the room. The air flow value from the master damper is sent analogously to the slave damper to maintain the balance in the room.

Demand control via analogue control signal (Y). Return of the current air flow via analogue actual value signal (U). Possibility of Modbus control/communication or Modbus in combination with analogue signals.

Settings

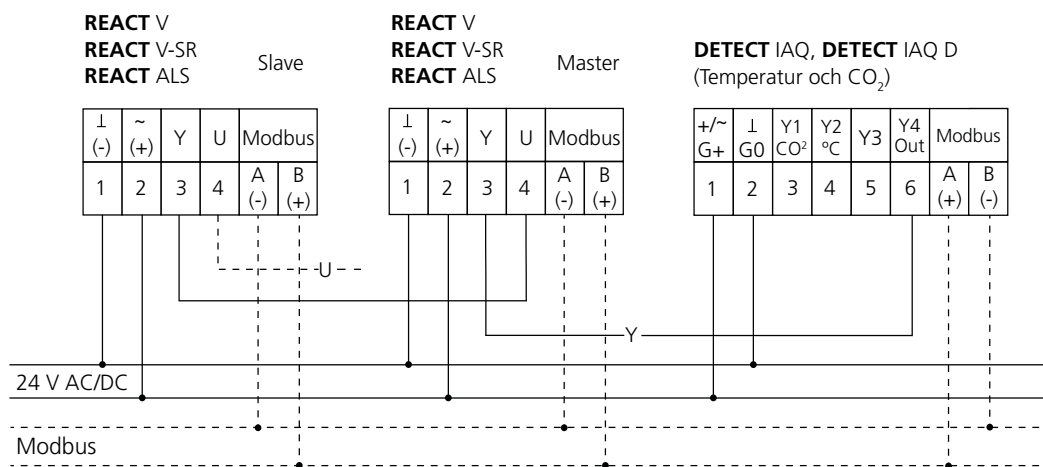
Master

- Vmin : Minimum flow rate
- Vmax : Maximum flow rate
- Mode : 0-10 V

Slave

- Vmin : 0
- Vmax : Vnom on Master
- Mode : Same as Master

Wiring diagram



Notes

Balanced air flow control with temperature, CO₂ and occupancy function

Air flow measurement and regulating damper that variably controls the air flow between minimum and maximum flow rate depending on the current temperature and the CO₂ content in the room. Occupancy is detected in the room via the occupancy detector. The damper is regulated to minimum flow rate in no-occupancy mode. The air flow value from the master damper is sent analogously to the slave damper to maintain the balance in the room.

Demand control via analogue control signal (Y). Return of the current air flow via analogue actual value signal (U). Possibility of Modbus control/communication or Modbus in combination with analogue signals.

Settings

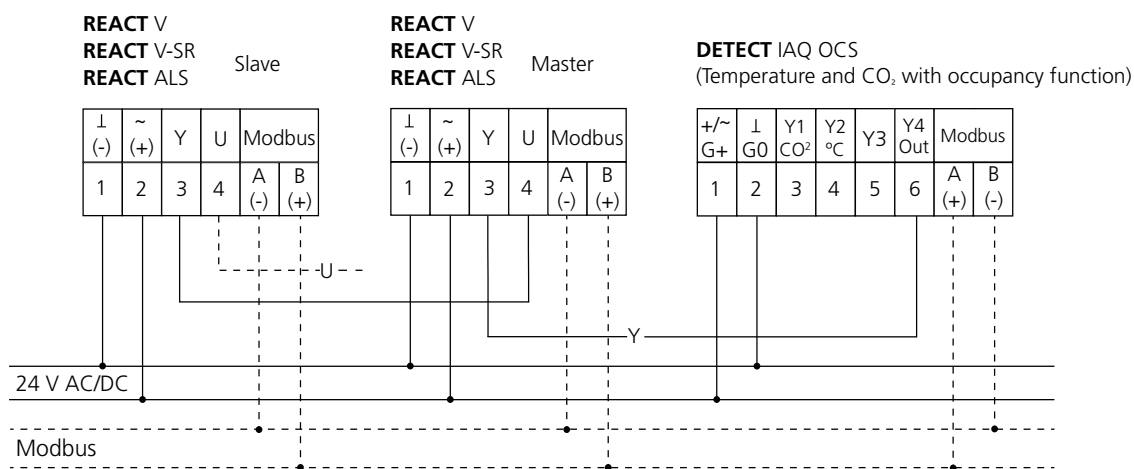
Master

Vmin : Minimum flow rate
 Vmax : Maximum flow rate
 Mode : 0-10 V

Slave

Vmin : 0
 Vmax : Vnom on Master
 Mode : Same as Master

Wiring diagram



Notes

Balanced air flow control with temperature and CO₂ function via external occupancy detector

Air flow measurement and regulating damper that variably controls the air flow between the minimum and maximum flow rate depending on the current temperature and the CO₂ content in the room. Occupancy is detected in the room via the occupancy detector. The damper is regulated to minimum flow rate in no-occupancy mode. The air flow value from the master damper is sent analogously to the slave damper to maintain the balance in the room.

Demand control via analogue control signal (Y). Return of the current air flow via analogue actual value signal (U). Possibility of Modbus control/communication or Modbus in combination with analogue signals.

Settings

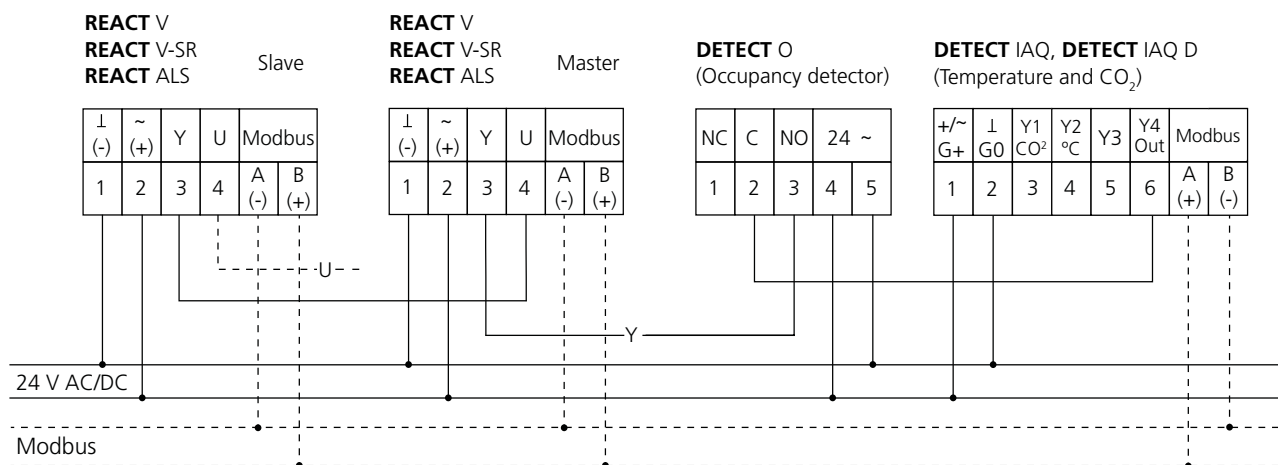
Master

Vmin : Minimum flow rate
 Vmax : Maximum flow rate
 Mode : 0-10 V

Slave

Vmin : 0
 Vmax : Vnom on Master
 Mode : Same as Master

Wiring diagram



Notes

Balanced air flow control with temperature controller for demand control

Air flow measurement and regulating damper that variably controls the air flow between the set minimum and maximum flow rate (cooling function) depending on the temperature set point. The air flow value from the master damper is sent analogously to the slave damper to maintain the balance in the room. The wiring diagram also shows the alternative with RTCT duct temperature sensor and thermo-actuator (heating function).

Demand control via analogue control signal (Y). Return of the current air flow via analogue actual value signal (U). Possibility of Modbus control/communication or Modbus in combination with analogue signals.

Settings

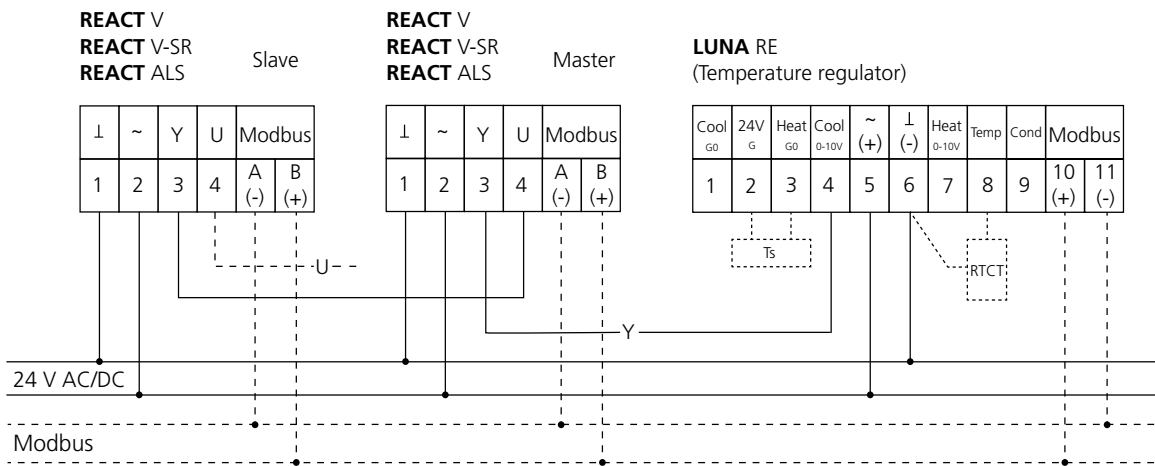
Master

- Vmin : Minimum flow rate
- Vmax : Maximum flow rate
- Mode : 0-10 V

Slave

- Vmin : 0
- Vmax : Vnom on Master
- Mode : Same as Master

Wiring diagram



Notes

Balanced air flow control with controller for demand control

Air flow measurement and regulating damper that variably controls the air flow between minimum and maximum flow rate depending on the control signal. The air flow value from the master damper is sent analogously to the slave damper to maintain the balance in the room.

Demand control via analogue control signal (Y). Return of the current air flow via analogue actual value signal (U). Possibility of Modbus control/communication or Modbus in combination with analogue signals.

Settings

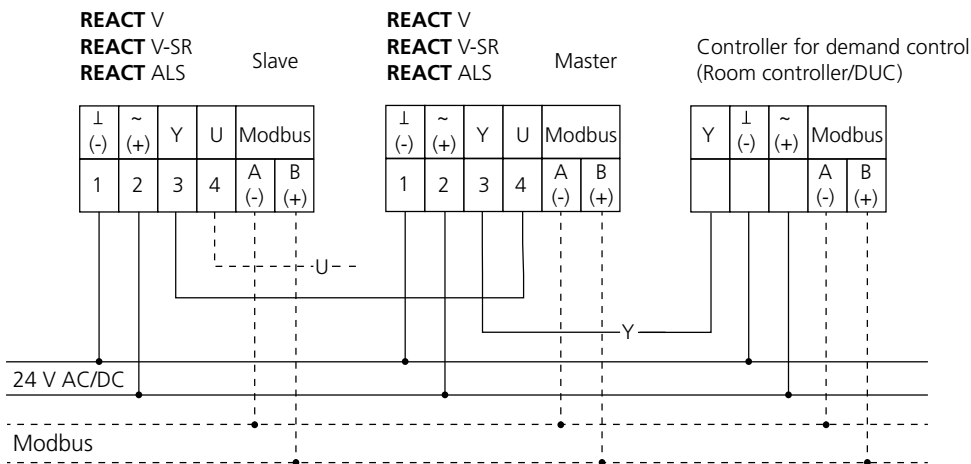
Master

Vmin : Minimum flow rate
 Vmax : Maximum flow rate
 Mode : 0 (2)-10 V

Slave

Vmin : 0
 Vmax : Vnom on Master
 Mode : Same as Master

Wiring diagram



Notes

Balanced air flow control with temperature regulator for demand control and occupancy function

Air flow measurement and regulating damper that variably controls the air flow between the set minimum and maximum flow rate (cooling function) depending on the temperature set point in occupancy mode. The room is regulated to minimum flow rate in no-occupancy mode. The air flow value from the master damper is sent analogously to the slave damper to maintain the balance in the room. The wiring diagram also shows the alternative with RTCT duct temperature sensor and thermo-actuator (heating function).

Demand control via analogue control signal (Y). Return of the current air flow via analogue actual value signal (U). Possibility of Modbus control/communication or Modbus in combination with analogue signals.

Settings

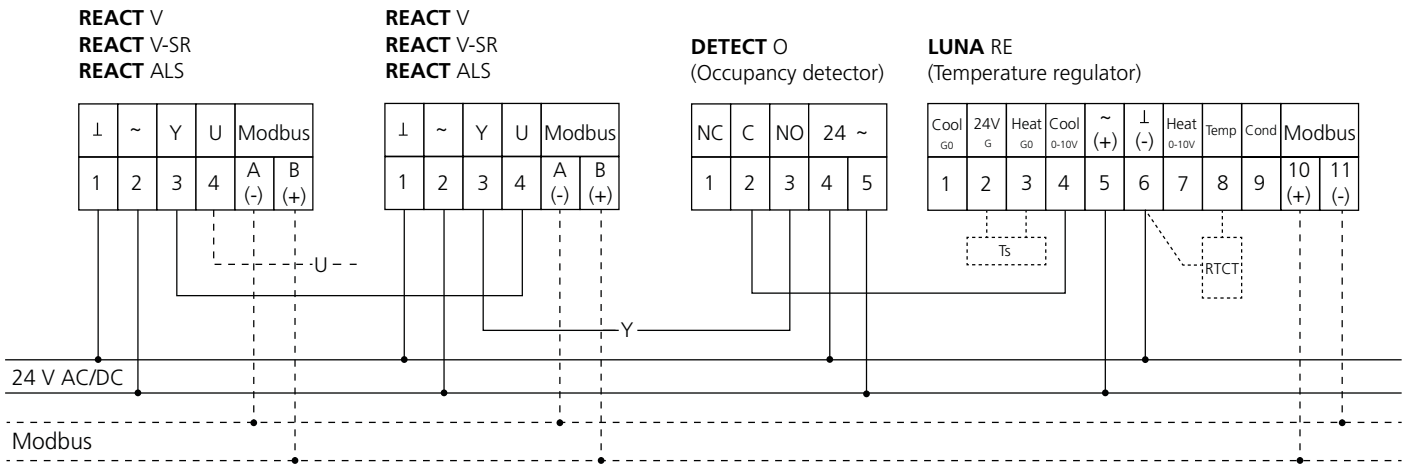
Master

- Vmin : Minimum flow rate
- Vmax : Maximum flow rate
- Mode : 0-10 V

Slave

- Vmin : 0
- Vmax : Vnom on Master
- Mode : Same as Master

Wiring diagram



Notes

Balanced air flow control with controller for demand control and occupancy function

Air flow measurement and regulating damper that variably controls the air flow between minimum and maximum flow rate depending on the control signal in occupancy mode. The room is regulated to minimum flow rate in no-occupancy mode. The air flow value from the master damper is sent analogously to the slave damper to maintain the balance in the room.

Demand control via analogue control signal (Y). Return of the current air flow via analogue actual value signal (U). Possibility of Modbus control/communication or Modbus in combination with analogue signals.

Settings

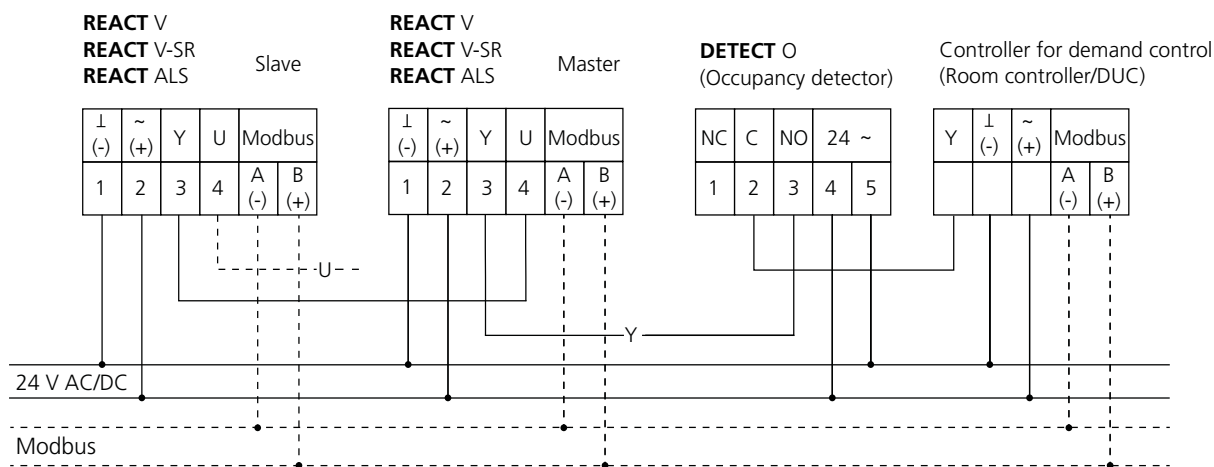
Master

- Vmin : Minimum flow rate
- Vmax : Maximum flow rate
- Mode : 0 (2)-10 V

Slave

- Vmin : 0
- Vmax : Vnom on Master
- Mode : Same as Master

Wiring diagram



Notes

Balanced air flow control with temperature controller for demand control and absence control

Air flow measurement and regulating damper that variably controls the air flow between the set minimum and maximum flow rate (cooling function) depending on the temperature set point in occupancy mode. The room is set to absence set point in no-occupancy mode. The air flow value from the master damper is sent analogously to the slave damper to maintain the balance in the room. The wiring diagram also shows the alternative with RTCT duct temperature sensor and thermo-actuator (heating function).

Demand control via analogue control signal (Y). Return of the current air flow via analogue actual value signal (U). Possibility of Modbus control/communication or Modbus in combination with analogue signals.

Settings

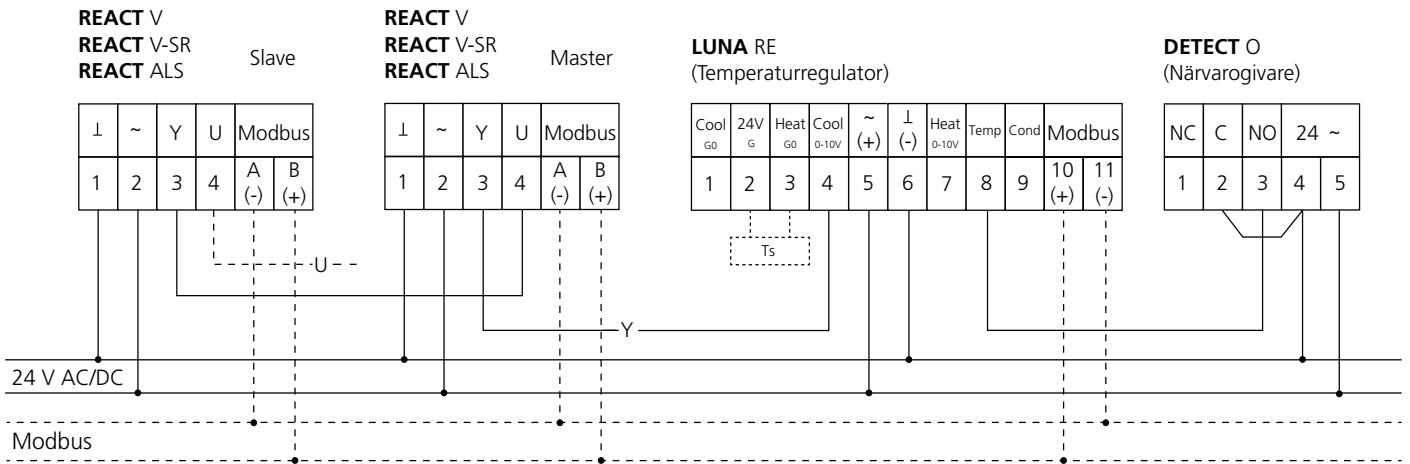
Master

Vmin : Minimum flow rate
 Vmax : Maximum flow rate
 Mode : 0-10 V

Slave

Vmin : 0
 Vmax : Vnom on Master
 Mode : Same as Master

Wiring diagram



Notes

Measurement of air flow

Air flow measuring device that variably sends out the air flow value depending on minimum and maximum flow rate.

Return of the current air flow via analogue actual value signal (U).

Possibility of Modbus control/communication or Modbus in combination with analogue signals.

Settings

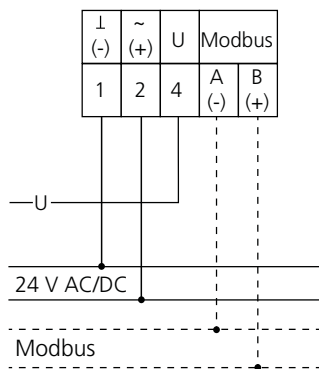
Vmin : Set value for min. actual value signal (0/2 V)

Vmax : Set value for max. actual value signal (10 V)

Mode : 0 (2)-10 V

Wiring diagram

REACT M



Notes

Air flow measurement with slave-controlled air flow control in balance

The air flow value from the measuring unit is sent analogously to the slave damper depending on minimum and maximum flow rate to maintain the balance in the room.

Return of the current air flow via analogue actual value signal (U).

Possibility of Modbus control/communication or Modbus in combination with analogue signals.

Settings

Master

Vmin : Set value for min. actual value signal (0/2 V)

Vmax : Set value for max. actual value signal (10 V)

Mode : 0 (2)-10 V

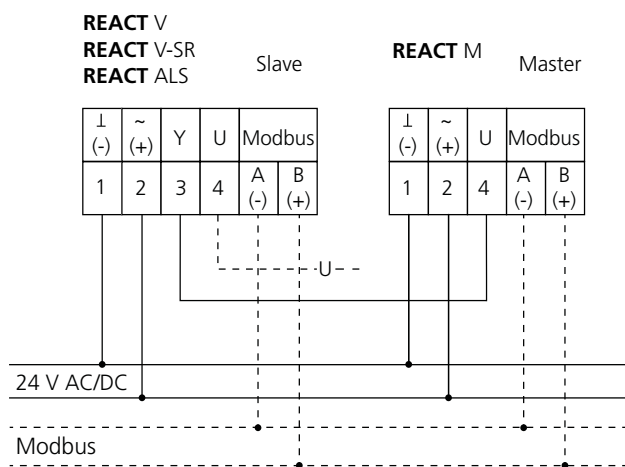
Slave

Vmin : Same as Master

Vmax : Same as Master

Mode : Same as Master

Wiring diagram



Notes

Air flow measurement with slave-controlled air flow control with offset

The air flow value from the measuring unit is sent analogously to the slave damper depending on minimum and maximum flow rate to maintain the balance with regard to other air flow.

Return of the current air flow via analogue actual value signal (U).

Possibility of Modbus control/communication or Modbus in combination with analogue signals.

Settings

Master

Vmin : Set value for min. actual value signal (0/2 V)

Vmax : Set value for max. actual value signal (10 V)

Mode : 0 (2)-10 V

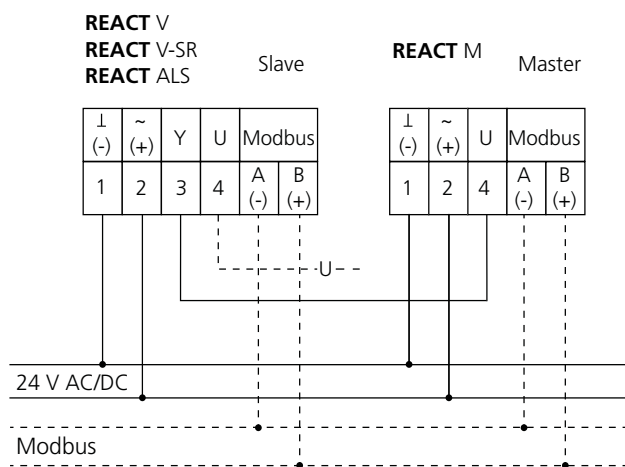
Slave

Vmin : Same as Master ± offset

Vmax : Same as Master ± offset

Mode : Same as Master

Wiring diagram



Notes

Constant pressure regulation

Pressure measurement and regulating damper to maintain the set pressure.

Return of the current pressure via analogue actual value signal (U).

Possibility of Modbus control/communication or Modbus in combination with analogue signals.

Settings

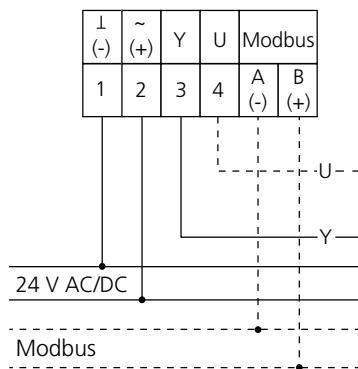
Pmin : Constant pressure

Pmax : 0 Pa

Indicates "Test" on the display.

Wiring diagram

REACT P



Notes

Constant pressure regulation with external regulator

Pressure measurement and regulating damper with an external regulator to maintain the set pressure.

Return of the current pressure via analogue actual value signal (U).

Possibility of Modbus control/communication or Modbus in combination with analogue signals.

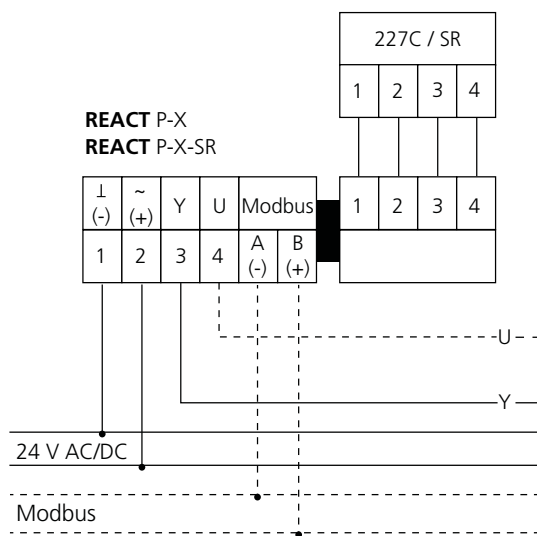
Settings

Pmin : Constant pressure

Pmax : 0 Pa

Indicates "Test" on the display.

Wiring diagram



Notes

Parallel controlled pressure regulation

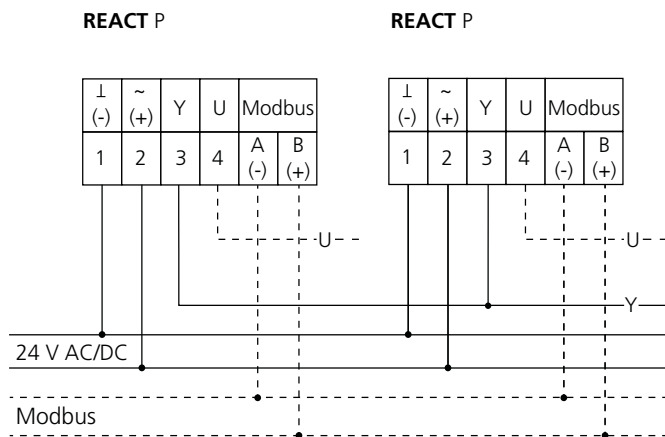
Pressure measurement and regulating damper that variably regulates the duct pressure in parallel between minimum and maximum pressure depending on the control signal.

Demand control via analogue control signal (Y). Return of the current pressure via analogue actual value signal (U). Possibility of Modbus control/communication or Modbus in combination with analogue signals.

Settings

- Pmin : Minimum pressure
- Pmax : Maximum pressure
- Mode : 0 (2)-10 V

Wiring diagram



Notes

Parallel controlled pressure regulation with external regulator

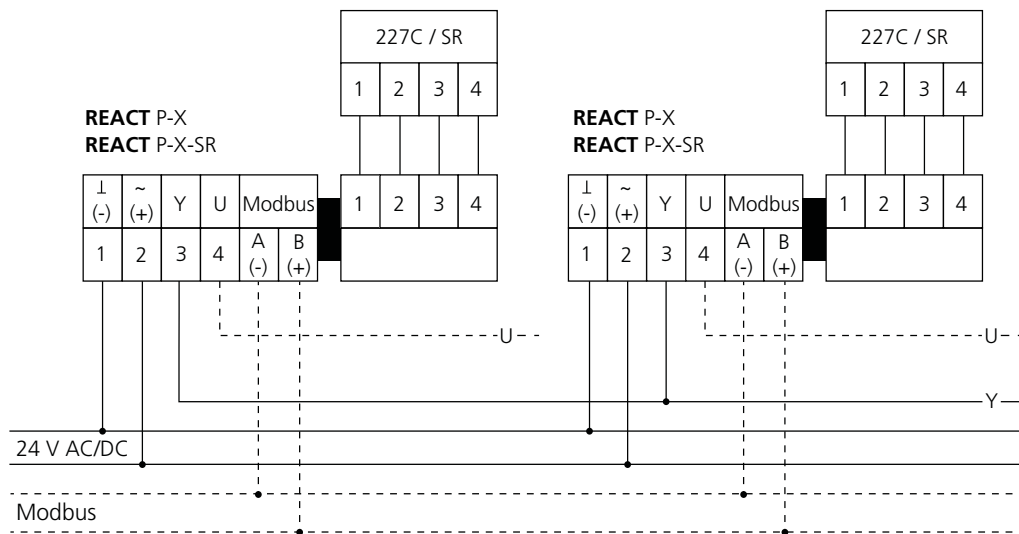
Pressure measurement and regulating damper with external regulator that variably regulate the duct pressure in parallel between minimum and maximum pressure depending on the control signal.

Demand control via analogue control signal (Y). Return of the current pressure via analogue actual value signal (U). Possibility of Modbus control/communication or Modbus in combination with analogue signals.

Settings

- Pmin : Minimum pressure
- Pmax : Maximum pressure
- Mode : 0 (2)-10 V

Wiring diagram



Notes

Balanced pressure regulation

Pressure measurement and regulating damper that variably regulate the duct pressure between minimum and maximum pressure depending on the control signal. The actual pressure value from the master damper is sent analogously to the slave damper to maintain balance.

Demand control via analogue control signal (Y). Return of the current pressure via analogue actual value signal (U). Possibility of Modbus control/communication or Modbus in combination with analogue signals.

Settings

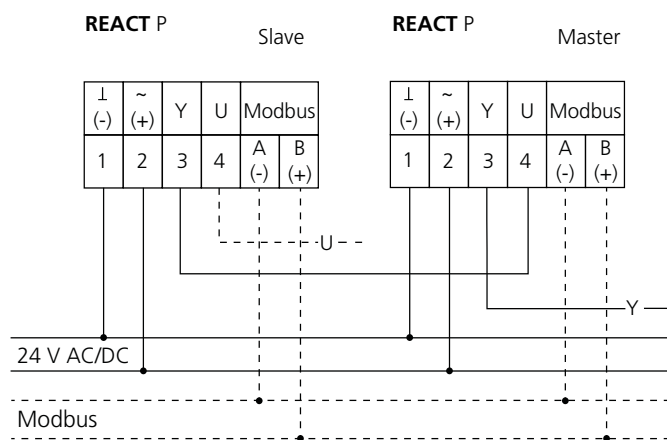
Master

Pmin : Minimum pressure
 Pmax : Maximum pressure
 Mode : 0 (2)-10 V

Slave

Pmin : 0
 Pmax : 300
 Mode : Same as Master

Wiring diagram



Notes

Balanced pressure regulation with external regulator

Pressure measurement and regulating damper with external regulator that variably regulate the duct pressure between minimum and maximum pressure depending on the control signal. The actual pressure value from the master damper is sent analogously to the slave damper to maintain the balance.

Demand control via analogue control signal (Y). Return of the current pressure via analogue actual value signal (U). Possibility of Modbus control/communication or Modbus in combination with analogue signals.

Settings

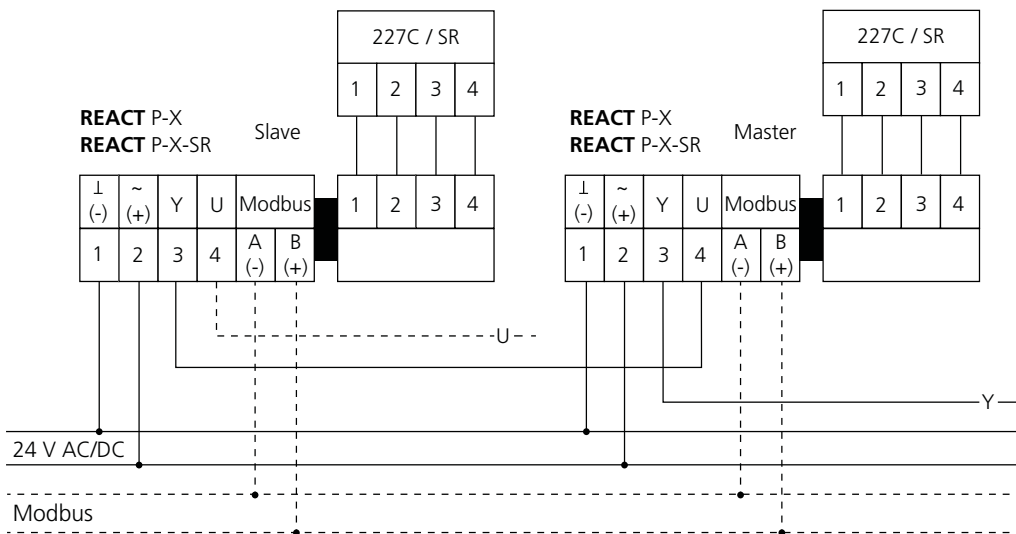
Master

Pmin : Minimum pressure
 Pmax : Maximum pressure
 Mode : 0 (2)-10 V

Slave

Pmin : 0
 Pmax : 300
 Mode : Same as Master

Wiring diagram



Notes

Constant pressure regulation and air flow measurement with slave-controlled air flow control

REACT P measures and regulates to maintain the set air pressure. The air flow value from REACT M is sent analogously to the slave damper REACT V. Depending on minimum and maximum flow rate the air flow balance is maintained with or without offset.

Return of the current pressure/air flow via analogue actual value signal (U).

Possibility of Modbus control/communication or Modbus in combination with analogue signals.

Settings

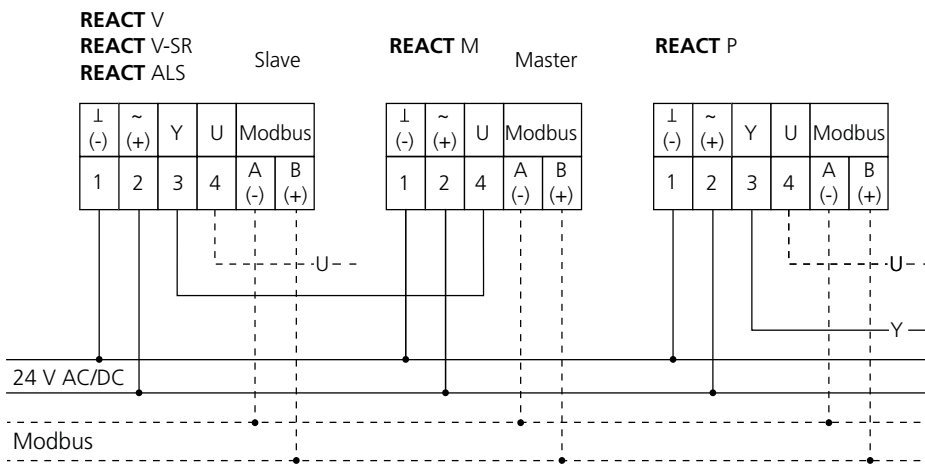
Master

- Vmin : Set value for min. actual value signal (0/2 V)
- Vmax : Set value for max. actual value signal (10 V)
- Mode : 0 (2)-10 V

Slave

- Vmin : Same as Master ± offset
- Vmax : Same as Master ± offset
- Mode : Same as Master
- Pmin : Constant pressure
- Pmax : 0 Pa
- Indicates "Test" on the display.

Wiring diagram



Notes

Constant pressure regulation with external regulator and air flow measurement with slave-controlled air flow control

REACT P-X measures and regulates with an external regulator to maintain the set pressure. The air flow value from REACT M is sent analogously to the slave damper REACT V. Depending on minimum and maximum flow rate the air flow balance is maintained with or without offset.

Demand control via analogue control signal (Y). Return of the current pressure via analogue actual value signal (U). Possibility of Modbus control/communication or Modbus in combination with analogue signals.

Settings

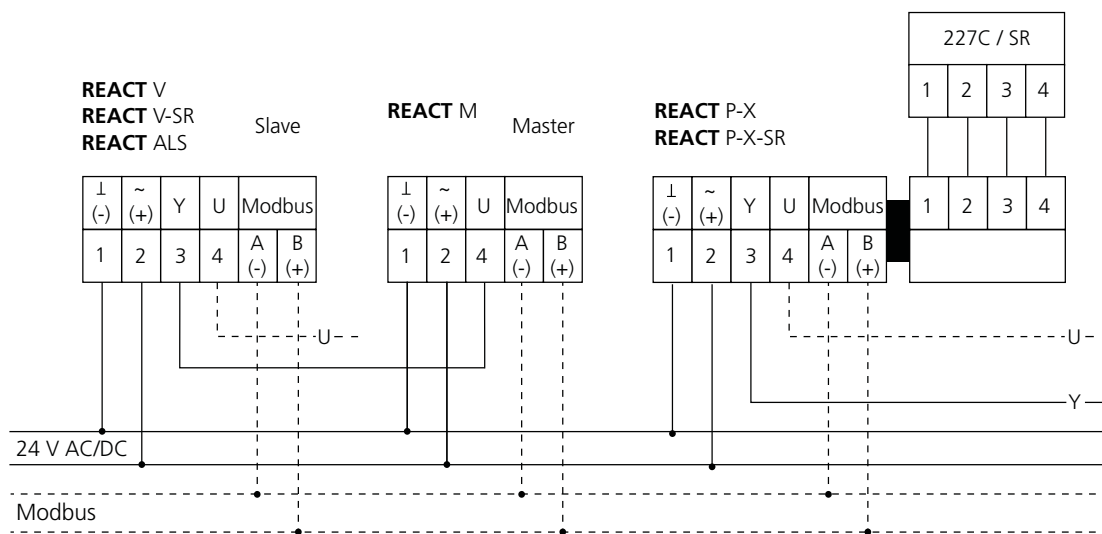
Master

Vmin : Set value for min. actual value signal (0/2 V)
 Vmax : Set value for max. actual value signal (10 V)
 Mode : 0 (2)-10 V

Slave

Vmin : Same as Master ± offset Pmin : Constant pressure
 Vmax : Same as Master ± offset Pmax : 0 Pa
 Mode : Same as Master Indicates "Test" on the display.

Wiring diagram



Notes

Pressure regulation and air flow measurement with slave-controlled air flow control

REACT P measures and regulates variably between minimum and maximum pressure depending on the control signal. The air flow value from REACT M is sent analogously to the slave damper REACT V. Depending on minimum and maximum flow rate the air flow balance is maintained with or without offset.

Return of the current pressure/air flow via analogue actual value signal (U).

Possibility of Modbus control/communication or Modbus in combination with analogue signals.

Settings

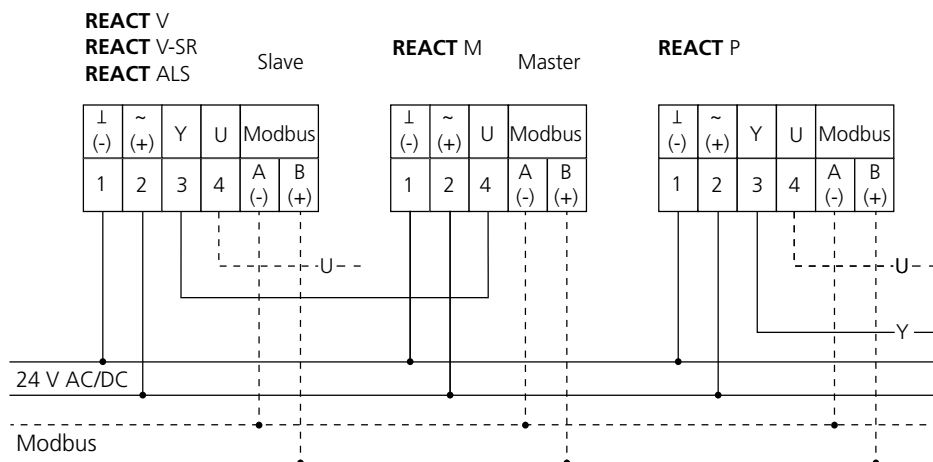
Master

Vmin : Set value for min. actual value signal (0/2 V)
 Vmax : Set value for max. actual value signal (10 V)
 Mode : 0 (2)-10 V

Slave

Vmin : Same as Master ± offset Pmin : Minimum pressure
 Vmax : Same as Master ± offset Pmax : Maximum pressure
 Mode : Same as Master Mode : 0 (2)-10 V

Wiring diagram



Notes

Pressure regulation with external regulator and air flow measurement with slave-controlled air flow control

REACT P-X measures and regulates with an external regulator variably between minimum and maximum pressure depending on the control signal. The air flow value from REACT M is sent analogously to the slave damper REACT V. Depending on minimum and maximum flow rate the air flow balance is maintained with or without offset.

Demand control via analogue control signal (Y). Return of the current pressure via analogue actual value signal (U). Possibility of Modbus control/communication or Modbus in combination with analogue signals.

Settings

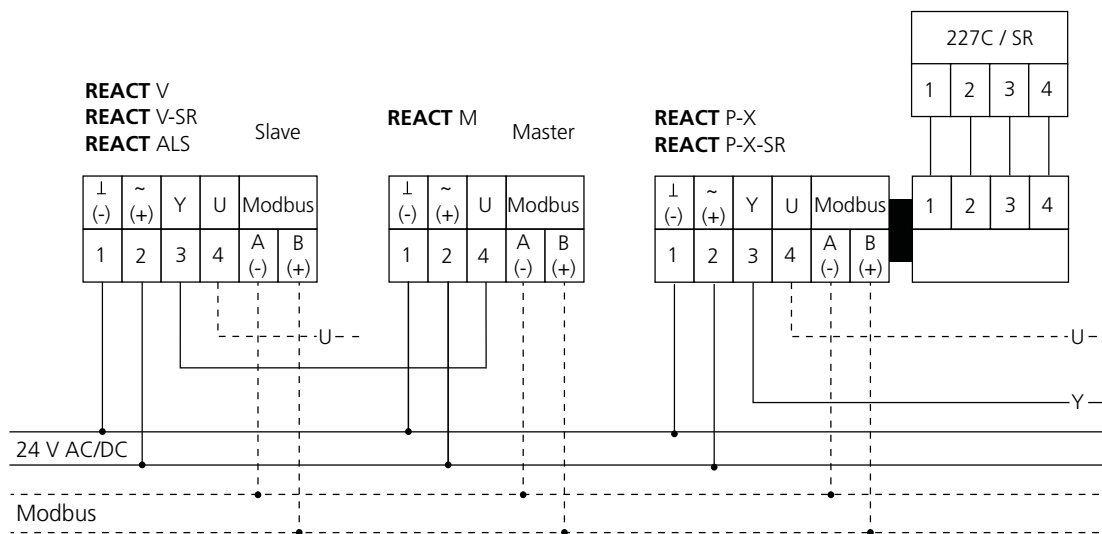
Master

- Vmin : Set value for min. actual value signal (0/2 V)
- Vmax : Set value for max. actual value signal (10 V)
- Mode : 0 (2)-10 V

Slave

- Vmin : Same as Master ± offset
- Vmax : Same as Master ± offset
- Mode : Same as Master
- Pmin : Minimum pressure
- Pmax : Maximum pressure
- Mode : 0 (2)-10 V

Wiring diagram



Notes
