

# VIREO Ceiling a with ALX

*Installation – Commissioning – Maintenance* 20150411

## Included parts

### Air diffuser VIREO C

- The air diffuser consists of a backing box and a diffuser face made of sheet steel. Powder paint sprayed and baked finish.
- Rectangular nozzles made of environmentally friendly plastic (PP-polypropylene) are mounted in the diffuser face.

### Plenum box ALX

- Standard plenum box for VIREO C, made of galvanized sheet steel.
- Can be ordered with fixed mounted damper placed in the inlet spigot.
- Strings are accessible through the rectangular nozzles, white string opens, black string closes.

### Other accessories

- SAR K, for aesthetic installation of a lowered diffuser.
- ADAPTER, for adaptation to various variants and makes of suspended ceiling systems, see separate product sheet.

## Installation

- Dismantle the diffuser face by inserting a thin object, for example a Quick Access card.
- Place the card in between the diffuser face and the diffuser backing box in order to release the springs. Move the card from the centre out towards the corner, see Figure 2.
- The inlet spigot of the diffuser backing box can be secured to the connecting duct by means of self-tapping screws or a blind rivets. Telescopic vertically fine adjustment is possible between the commissioning box and the air diffuser to reach alignment with the ceiling.
- For flush-mounting in fixed ceiling constructions, secure the terminal by means of screws into place in the framework through either the sides or top of the diffuser backing box.
- The air diffuser is designed for installation in modular suspended ceiling systems. The air diffuser can be placed directly in suspended ceiling systems, with visible T-bar framework, then fixed to the commissioning box.
- Plenum box ALX must be secured to the building structure by means of hangers or mounting brackets.
- The distance between the commissioning box and the air diffuser can be increased by 500 mm with a circular duct without having to lengthen the measuring tubes and damper commissioning cords, see figure 1.

## Maintenance

- The air diffuser can be cleaned, if necessary, using lukewarm water with dishwashing detergent added or by vacuum cleaning using a brush nozzle.
- The duct system can be reached for cleaning after opening the diffuser face, see figure 2, Quick Access.
- The plenum box ALX could have a fixed damper, open the damper completely to reach the duct system. NOTE! Make sure the white and black string are tied together (before demounting) to indicate the current damper position.

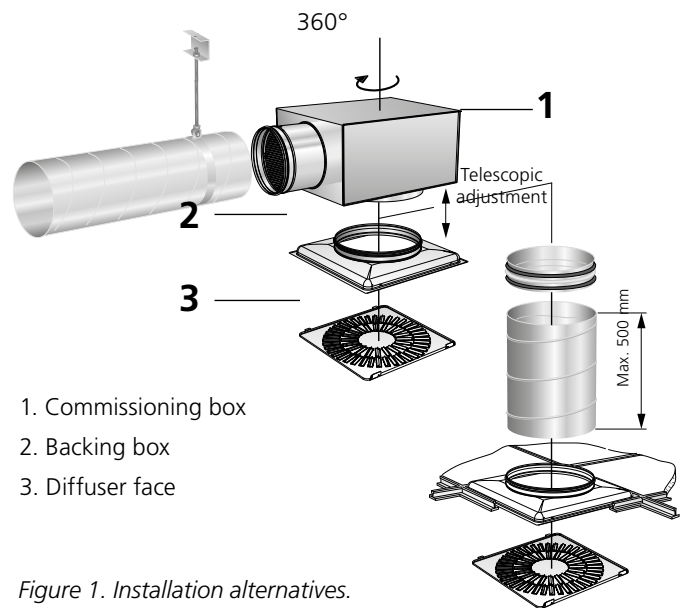


Figure 1. Installation alternatives.

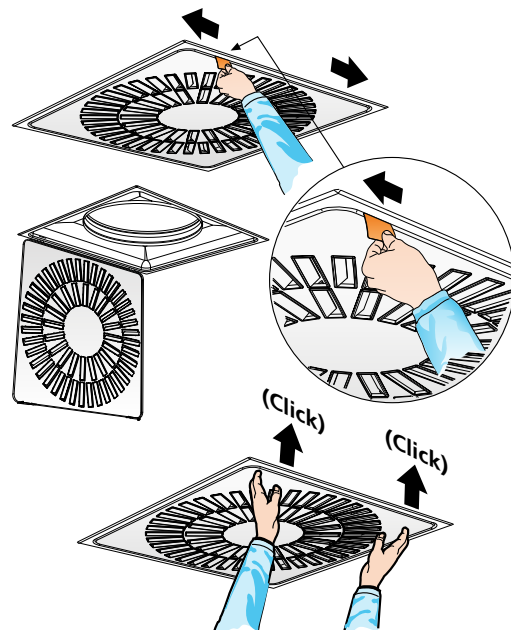


Figure 2. Quick Access.

# Dimensions and weights

## VIREO C

Size	A	ØD1	I	M	Weight, kg
125-600	595	124	575	70	3,5
160-600	595	159	575	70	3,5
200-600	595	199	575	70	3,5
250-600	595	249	575	70	3,4
315-600	595	314	575	50	3,2
400-600	595	399	575	50	3,1

Dimensions of opening in ceiling = l x l

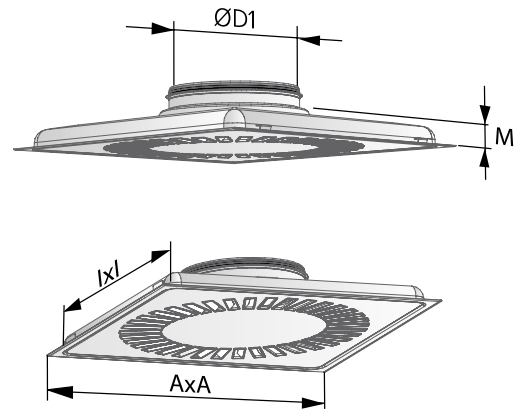


Figure 3. VIREO C.

## VIREO C with ALX 1-step

Size	A	B	C	ØD	Ød	E1	F1	G1	H	K	Weight, kg Without damper	Weight, kg With damper
125-600	595	282	217	99	125	255	113	175	270	80	5,1	5,1
160-600	595	342	252	124	160	279	113	188	315	80	5,6	5,6
200-600	595	404	288	159	200	314	113	205	375	100	6,2	6,3
250-600	595	504	332	199	250	354	113	225	465	115	7,1	7,3
315-600	595	622	388	249	315	395	93	230	575	140	8,7	8,9
400-600	595	767	488	314	400	455	93	262	712	175	12,2	12,6

## VIREO C with ALX 2-steps

Size	A	B	C	ØD	Ød	E1	F1	G1	H	K	Weight, kg Without damper	Weight, kg With damper
160-600	595	342	252	99	160	255	113	175	315	80	5,4	5,4
200-600	595	404	288	124	200	279	113	188	355	80	5,8	5,9
250-600	595	504	332	159	250	314	113	205	450	100	6,7	6,8
315-600	595	622	388	199	315	334	93	205	550	115	7,9	8,1
400-600	595	622	488	249	400	400	100	230	535	140	10,1	10,3

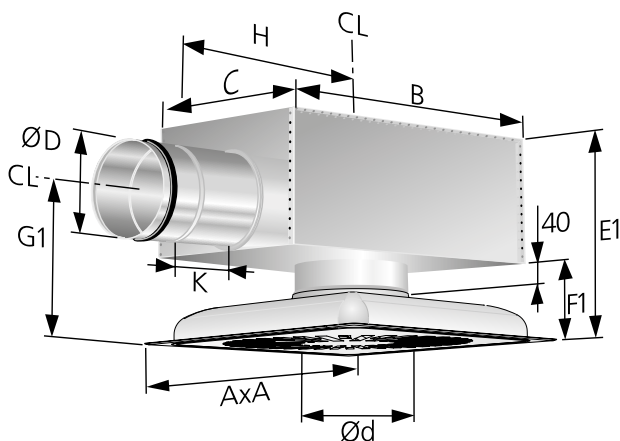


Figure 4. VIREO C with ALX.

## Frame – SAR K

Size	Dimension (mm)		Weight (kg)
	L	N	
600*	595	75	1,0

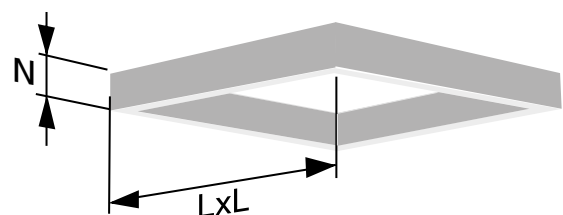
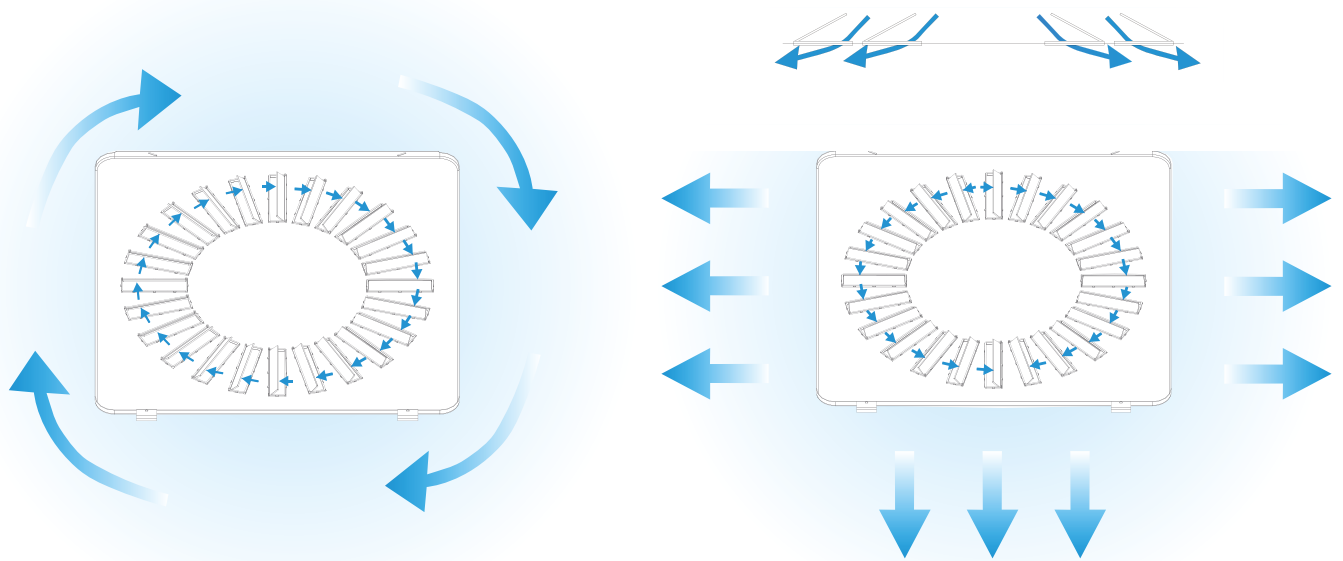


Figure 5. Frame, SAR K.

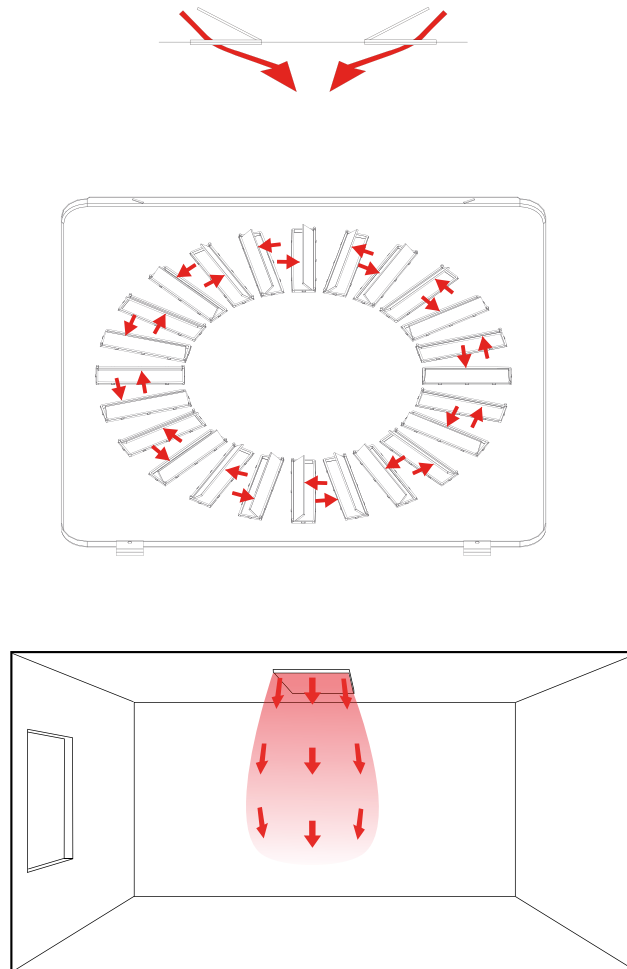
\*Position the ALX box so that its branch extends 20 mm below the ceiling surface.

# Nozzle settings, examples - View from above the air diffuser

Size 125-600, 160-600 - 24 nozzles

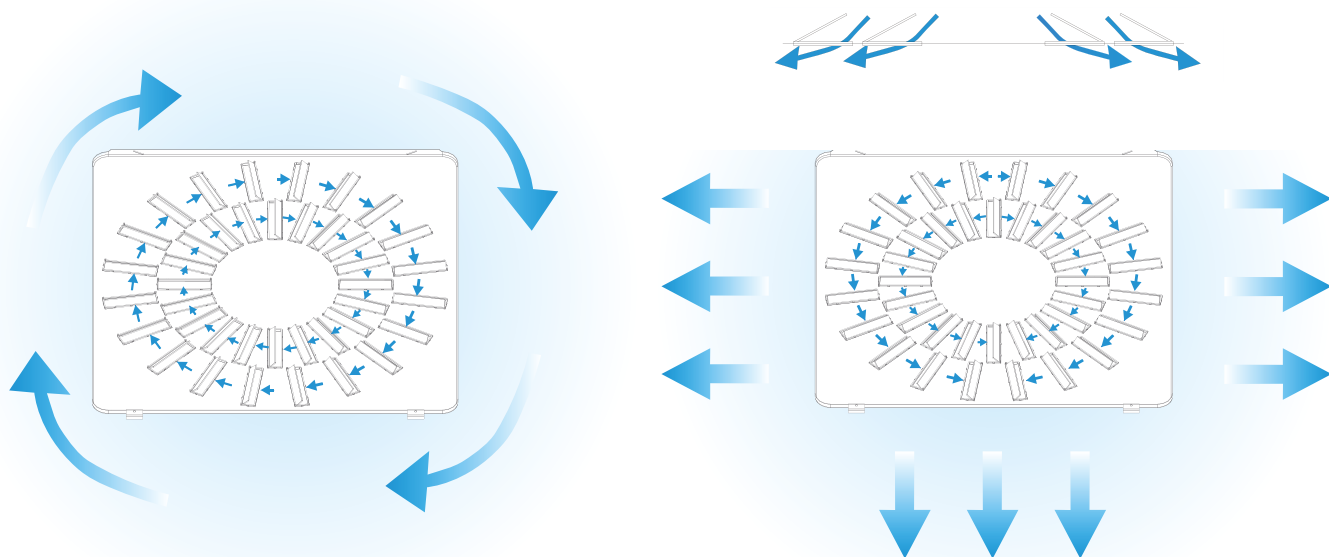


1. Standard rotation pattern, the air comes out counterclockwise when looking at the air diffuser.
2. 3-ways, half of the air comes out counterclockwise, the other half clockwise.

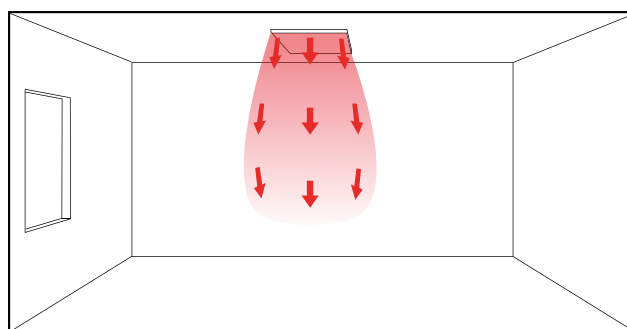
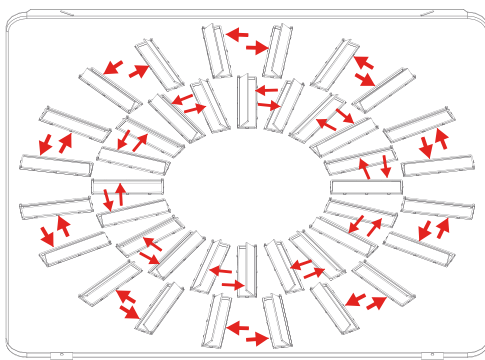


3. Vertical, the nozzles are positioned against each other (two and two). The air streams meet and are directed downwards.

Size 200-600, 250-600 - 40 nozzles

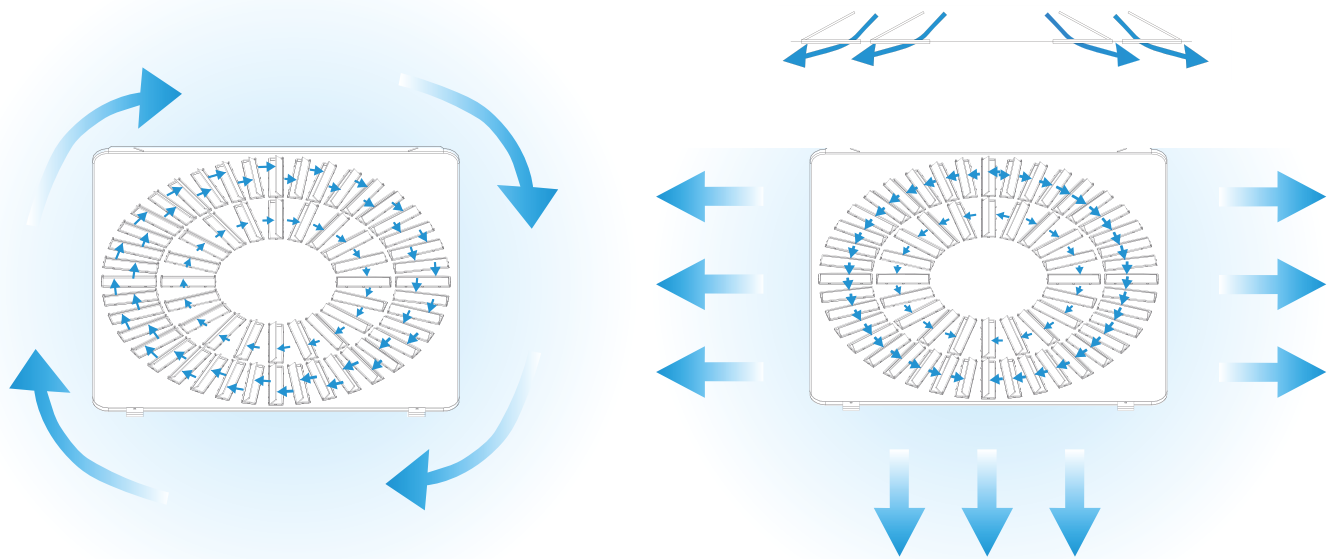


1. Standard rotation pattern, the air comes out counterclockwise when looking at the air diffuser.
2. 3-ways, half of the air comes out counterclockwise, the other half clockwise.

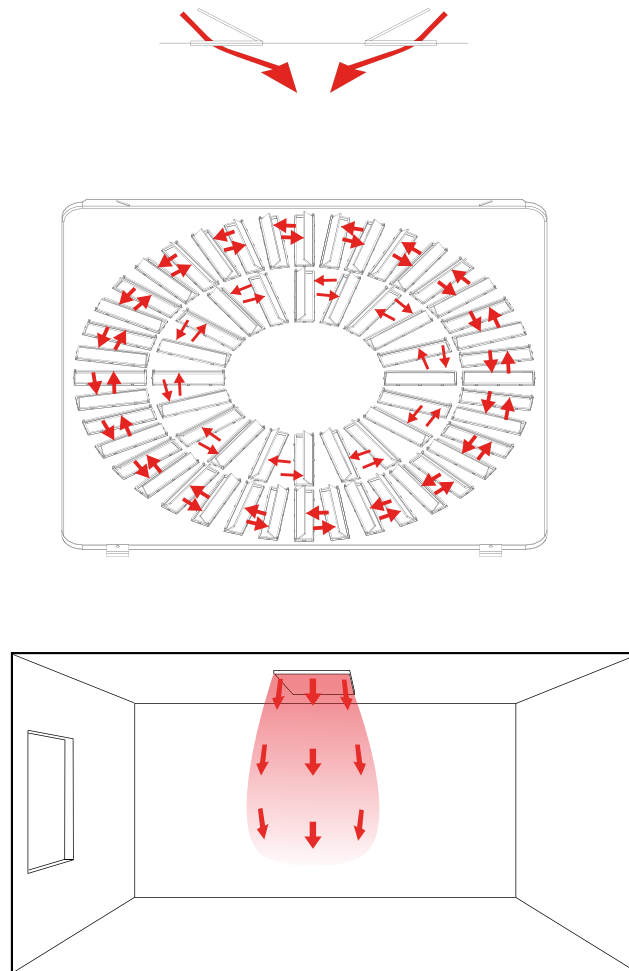


3. Vertical, the nozzles are positioned against each other (two and two). The air streams meet and are directed downwards.

Size 315-600, 400-600 - 60 nozzles



1. Standard rotation pattern, the air comes out counterclockwise when looking at the air diffuser.
2. 3-ways, half of the air comes out counterclockwise, the other half clockwise.



3. Vertical, the nozzles are positioned against each other (two and two). The air streams meet and are directed downwards.