

KITE Free a

Installation – Commissioning – Maintenance

20230306

Accessories

Blanking plate

SECTOR KITE F

For blanking off a sector of the air distribution pattern (3-way).

Installation

The air diffuser is normally suspended from the ceiling. An M8 pop nut, i.e. a threaded grommet that facilitates installation, is provided at the top and in the centre of the air diffuser. On sizes 315 and 400, there are two M8 pop nuts for more stable mounting, see figures 1 and 3.

Alternative installation in pre-punched Ø10 mm hole, see figure 3a.

Commissioning

Commissioning should be carried out with the diffuser face mounted. Pull the measuring tubes and damper adjustment cords out through the air diffuser's slot. Then connect the manometer to the correct measuring tube. The rated coefficient of performance of the air diffuser can be used in a calculation to determine the required commissioning pressure. Conclude commissioning by adjusting the damper to the correct blade position, tie a commissioning knot in the damper cords to indicate the damper position. See Figure 1.

The K-factor is specified on the product's identification label and last in these instructions.

Maintenance

- Clean the air diffuser if needed with lukewarm water and dishwashing detergent added.
- The duct system can be accessed and lightly pulling the spring-loaded diffuser face downwards and then tilting, see figure 2.
- Dismantle the perforated air distribution plate located on the inlet as shown in figure 4.
Use in extract air version: If necessary, the perforated air distribution plate can be dismantled, performed in connection with installation or commissioning.
- Loosen the damper in the inlet from its bayonet fastening by rotating to the side.

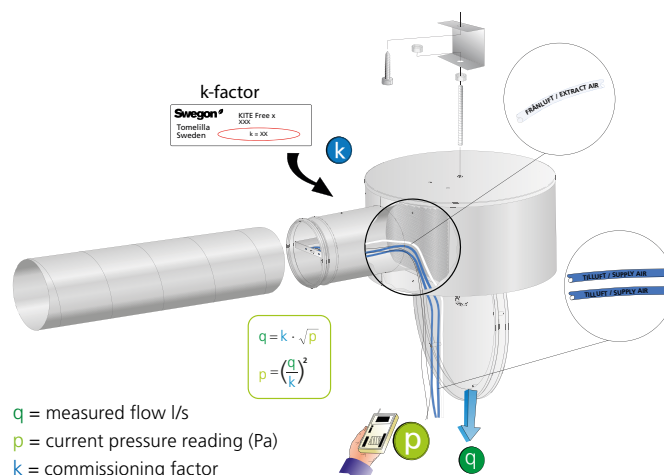


Figure 1. Installation, commissioning, maintenance



Figure 2. Spring-loaded front.

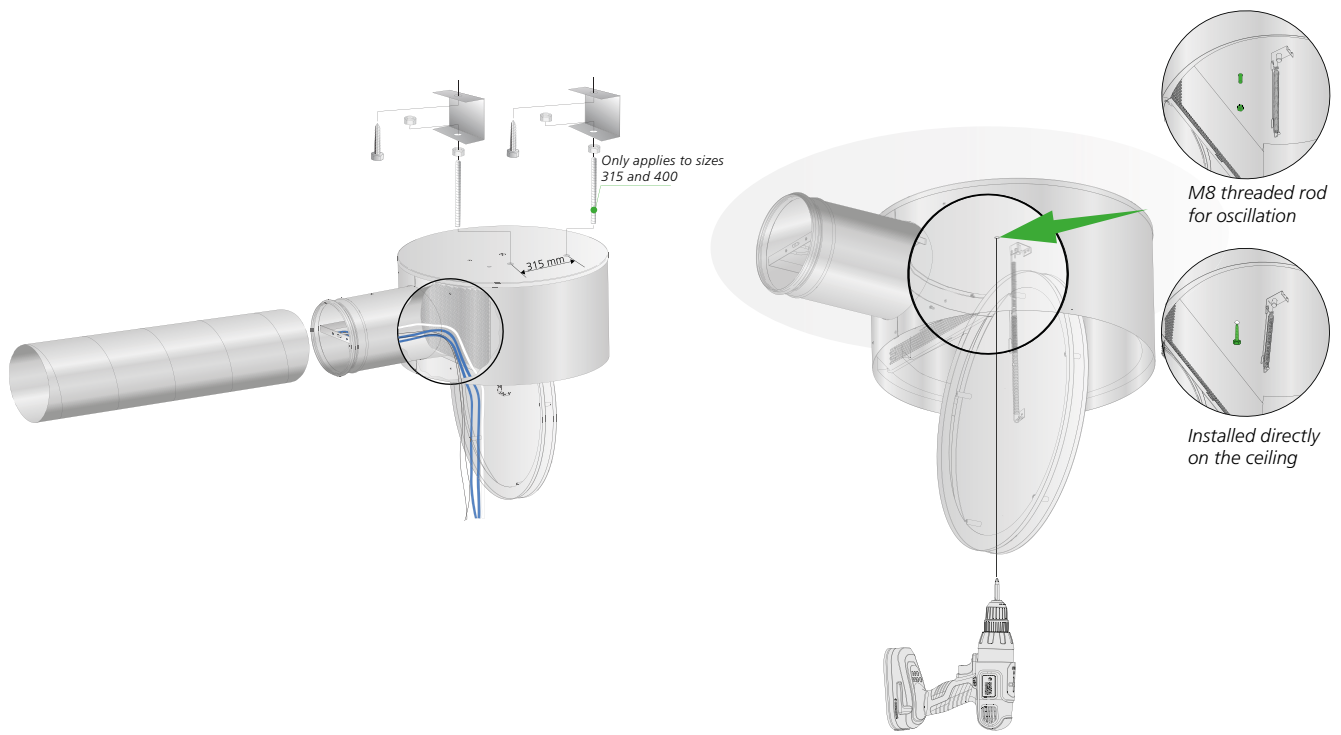


Figure 3a. Installation.

Figure 3b. Alternative installation in pre-punched Ø10 mm hole.

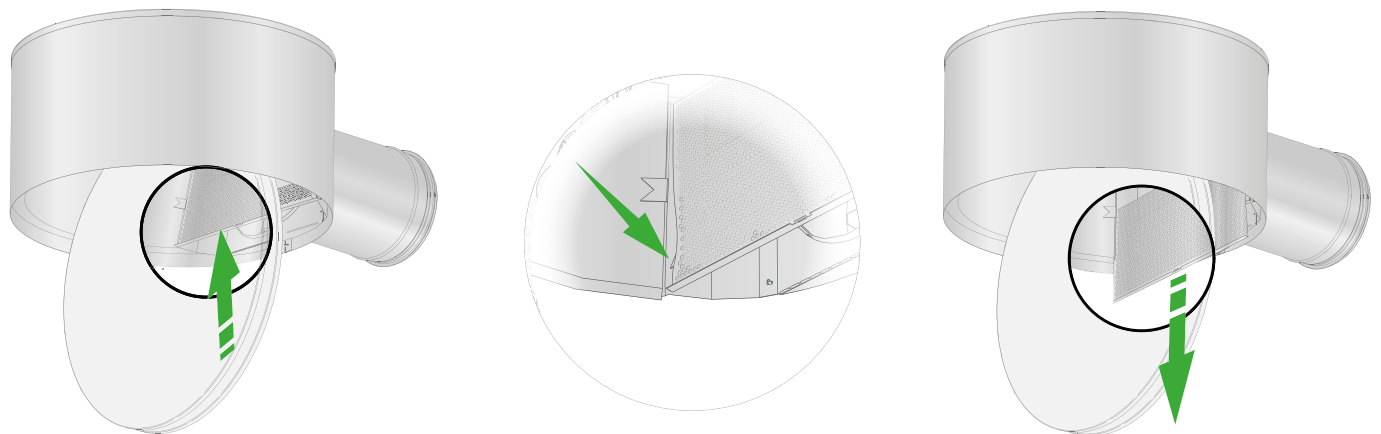



Figure 4. Dismantling the distribution plate.

Note: If necessary, the perforated air distribution plate can be dismantled for the extract air version.

 The use of gloves is recommended, as there is a risk of cuts to the hands/fingers

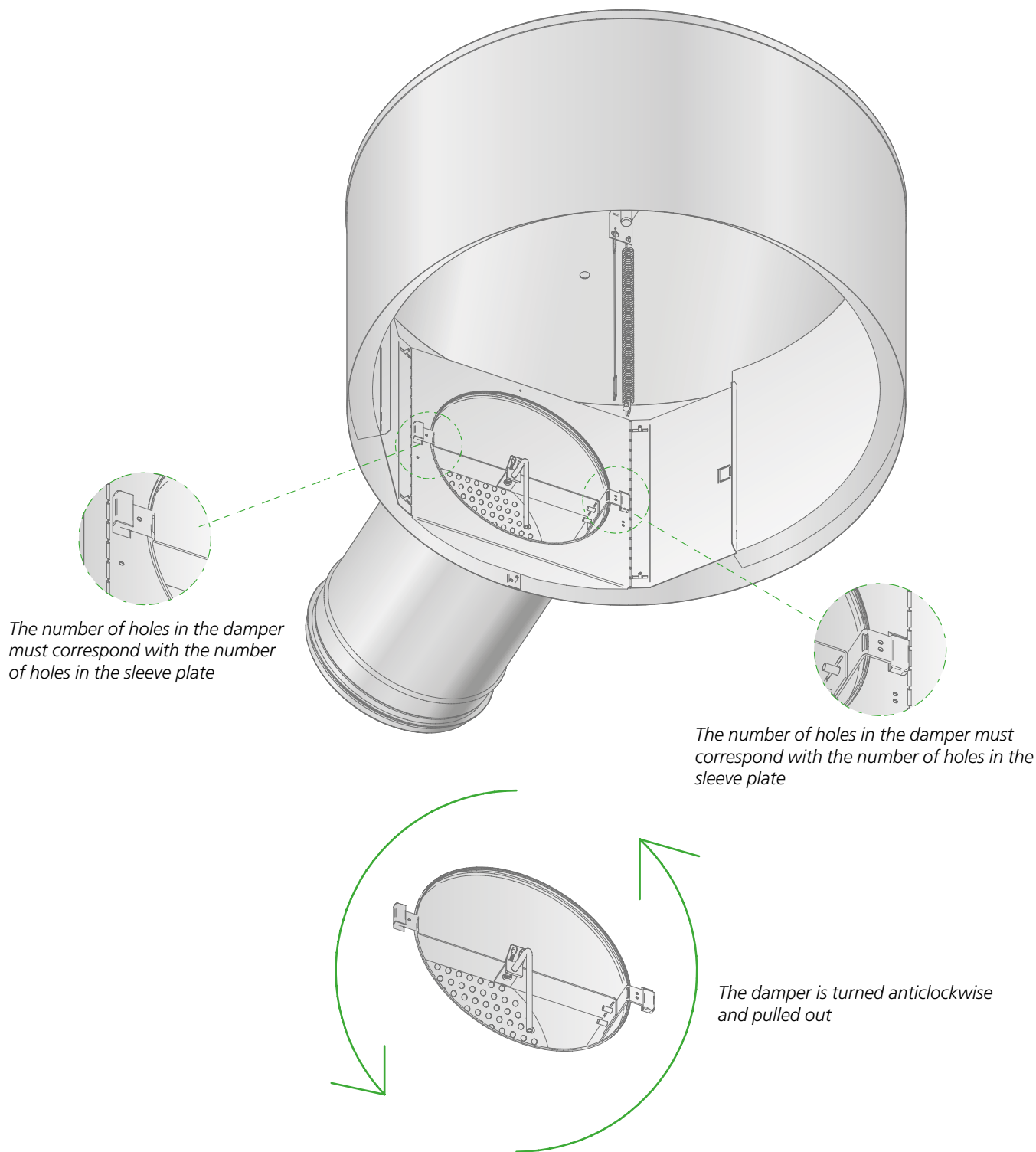



Figure 5. Damper installation and dismantling.

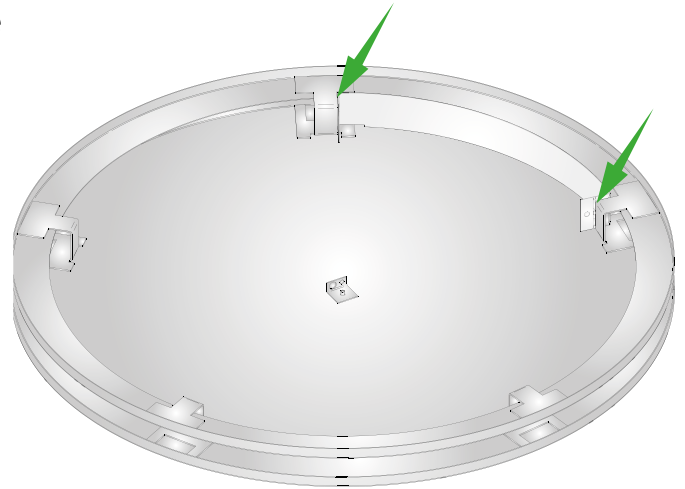
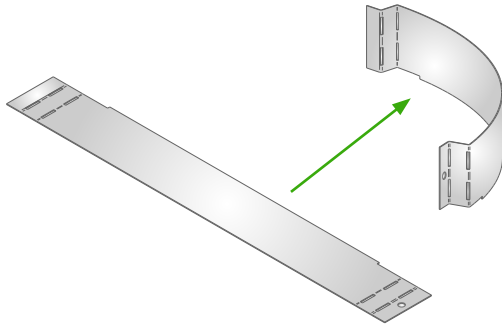
 The use of gloves is recommended, as there is a risk of cuts to the hands/fingers

Blanking off the air distribution pattern

Note: A maximum of 1 blanking plate may be used.

To calculate the air stream diffusion, air velocities in the occupied zone or sound levels in rooms where blanking off is performed, please refer to our calculation software available on www.swegon.com.

Installation



Figur 6. Installation of blanking plate.

Sizes

Size
125
160
200
250
315

Air distribution pattern with blanking plate installed

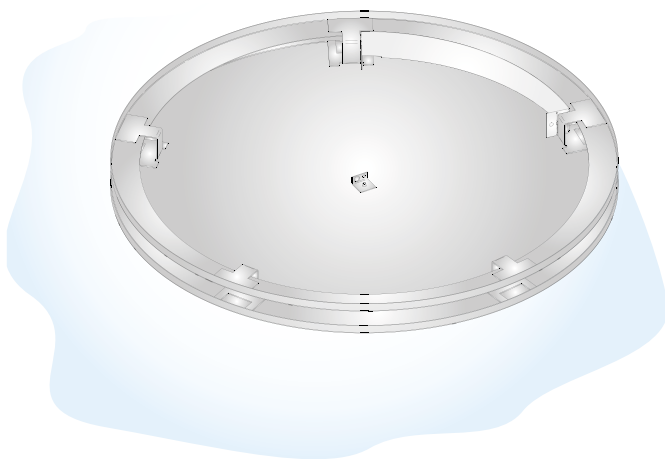


Figure 7. 3-way.
Blanking plate installed on optional side of the air diffuser.



The use of gloves is recommended, as there is a risk of cuts to the hands/fingers

Dimensions and weight

KITE F

Size	ØA	B	C	ØD	E	F	Weight (kg)
125	380	215	210	124	108	30	4,5
160	456	250	220	159	126	30	5,7
200	568	285	230	199	144	30	8,5
250	568	335	275	249	169	40	9,7
315	700	385	330	314	194	40	14,1

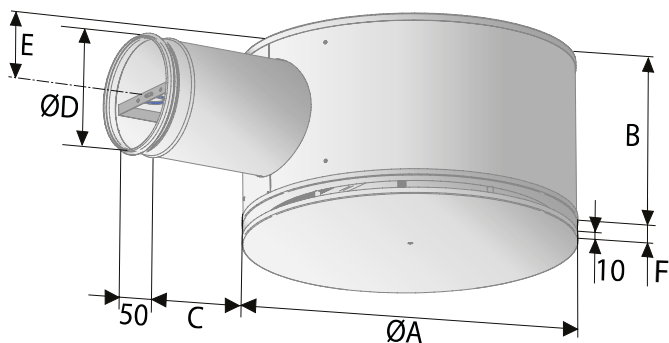


Figure 8. KITE F.

K-factor

KITE F – Supply air

Size	Supply air	Colour of the tube
125	8.2	Blue+Blue
160	14.7	Blue+Blue
200	24.2	Blue+Blue
250	36.1	Blue+Blue
315	59.7	Blue+Blue

K-factors also apply for KITE Free with blanking plate.

KITE F – Extract air

Size	Extract air	Colour of the tube
125	8.8	Transparent
160	14.9	Transparent
200	21.9	Transparent
250	31.8	Transparent
315	43.9	Transparent