

CBE_a

Installation – Commissioning – Maintenance

20160201

Accessories

Commissioning box:

ALS. Made of galvanised sheet steel. The box contains a removable commissioning damper, fixed measurement tapping and sound absorbent insulation covered by a reinforced surface layer, rated to Fire resistance class B-s1,d0 conforming to EN ISO 11925-2.

Mounting frame:

CBET 1a mounting frame for installation in so-called concrete hollow-core floor/ceiling slabs.

Installation

Press the mounting frame into the open end of the duct and fix it in place using blind rivets. Press the air diffuser face into the mounting frame to engage it. If an ALS commissioning box is used, the sleeve coupling between the ALS and the CBE can be lengthened using an ordinary circular duct of up to 500 mm without having to lengthen the measuring tubes and damper adjustment cords. See Figure 1.

Commissioning

In its installed position, the CBE can be turned through 360° for setting the direction of air discharge.

Commissioning must be carried out with the air diffuser mounted. Pull the measuring tubes and damper adjustment cords out of the air diffuser through the slot. Then connect the manometer to the correct measuring tube. The red tube from the ALS commissioning box is used for supply air. The rated coefficient of performance of the air register can be used in a calculation to determine the required commissioning pressure. Conclude commissioning by adjusting the damper to the correct blade position, tie a commissioning knot in the damper cords to indicate the damper position.

Measurement accuracy and requirement on straight duct before the commissioning box, see Figure 2. The requirements of straight duct depends on the type of disturbance before the commissioning box. Figure 2 shows a bend, a dimensional change and a T-piece. Other types of disturbances requires at least 2xD straight (D = connection dimension) for measurement accuracy of ± 10% of the flow.

The rated coefficient of performance (K-factor) is specified on the identification label of the product and in the relevant commissioning instructions at www.swegon.com.

Maintenance

The air diffuser can be cleaned, if necessary, using lukewarm water with dishwashing detergent added or by vacuum cleaning using a brush nozzle. The duct system can be reached for cleaning after the air diffuser has been removed from the mounting frame. If a type ALS commissioning box is used, swing the distribution plate to the side on so that you then can grip the handle of the tubular damper casing and rotate it out of its holder.

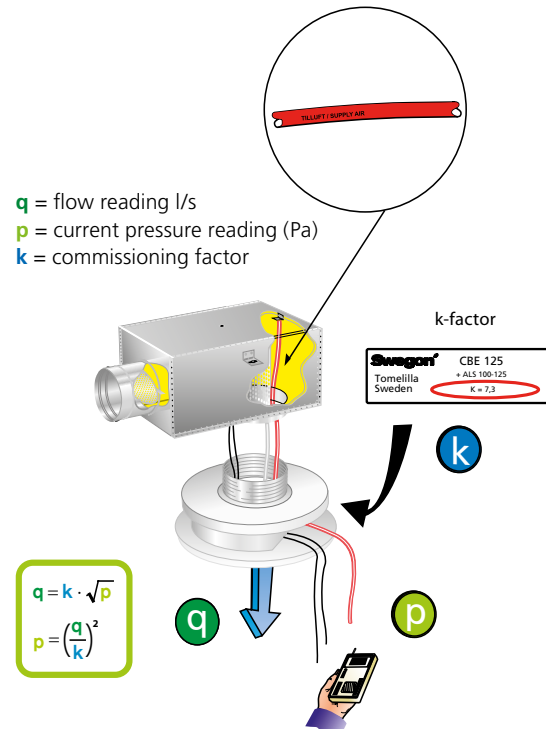


Figure 1. Commissioning.

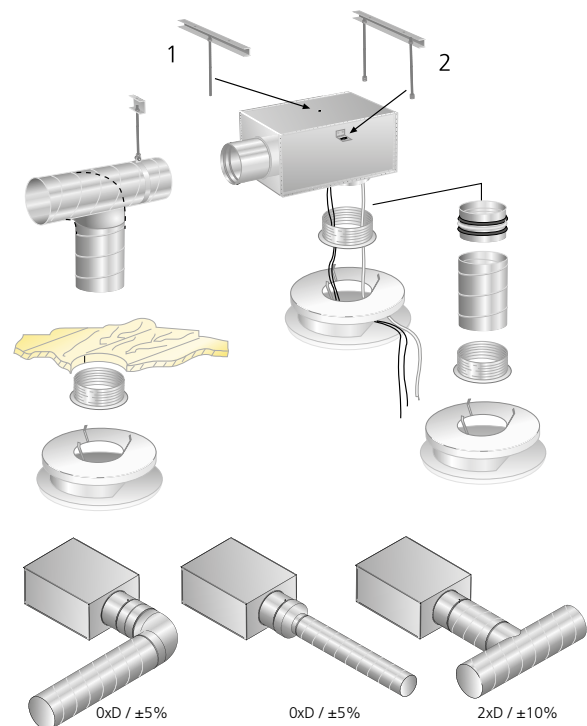


Figure 2. Installation.

Dimensions and weights

CBE

Size	A	C	Ød	Øl	Weight, kg
100	182	40	99	105	0.4
125	225	50	124	130	0.7
160	292	65	159	165	1.0

Øl = Size of the opening.

CBE + ALS

Size	ØA	B	C	ØD	E	F
100	182	227	192	79	40	160
125	225	282	217	99	50	180
160	292	342	252	124	65	204

Size	G	H	K	Weight, kg
100	90	200	50	1.6
125	100	270	80	2.7
160	112	315	80	3.7

CL = Center line

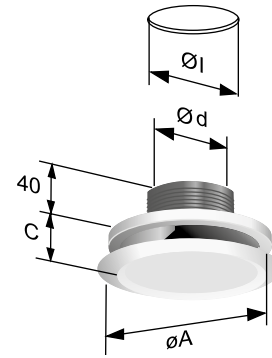


Figure 3. CBE-aa.

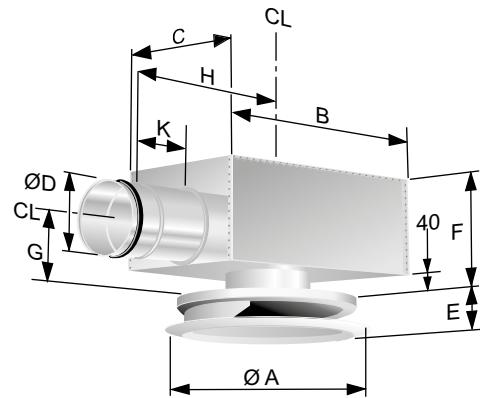


Figure 4. CBE with ALS. CL = Centerline

CBET1 Fixing frame

Size	Ød2	ØD2
100	99	140
125	124	175
160	159	210

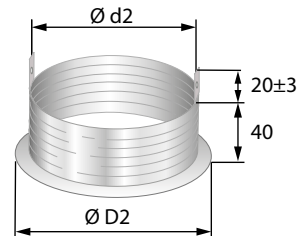


Figure 5. Fixing frame CBET1.

K-factor (Rated COP)

ALSd Size	Size	CBE Supply air	Colour of the tube
80-100	100	4.6	Red
100-125	125	7.3	Red
125-160	160	11.9	Red

Number of measuring tubes: 1