

EXP Free b

Installation – Commissioning – Maintenance

20220425

Installation

The air diffuser is normally suspended from the ceiling. An M8 pop nut, i.e. a threaded grommet that facilitates installation, is provided at the top and in the centre of the air diffuser. On sizes 315 and 400, there are two M8 pop nuts for more stable mounting, see figure 1 and 3.

Alternative installation in pre-punched Ø10 mm hole, see figure 3b.

Commissioning

Commissioning should be carried out with the wall diffuser face mounted. Pull the measuring tubes and damper adjustment cords out of the air diffuser through the hole in the front. Then connect the manometer to the correct measuring tube(s); A transparent measuring tube for extract air. The rated coefficient of performance of the air diffuser can be used in a calculation to determine the required commissioning pressure. Conclude commissioning by adjusting the damper to the correct blade position, tie a commissioning knot in the damper cords to indicate the damper position. See Figure 1.

The K-factor is specified on the product's identification label and last in these instructions.

Maintenance

- Clean the air diffuser if needed with lukewarm water and dishwashing detergent added.
- The duct system can be accessed by lightly pulling the spring-loaded diffuser face downwards and then tilting, see figure 4.
- Dismantle the perforated air distribution plate located on the inlet as shown in figure 5. If necessary, the air distribution plate can be dismantled, performed in connection with installation or commissioning.
- Loosen the damper in the inlet from its bayonet fastening by rotating to the side.

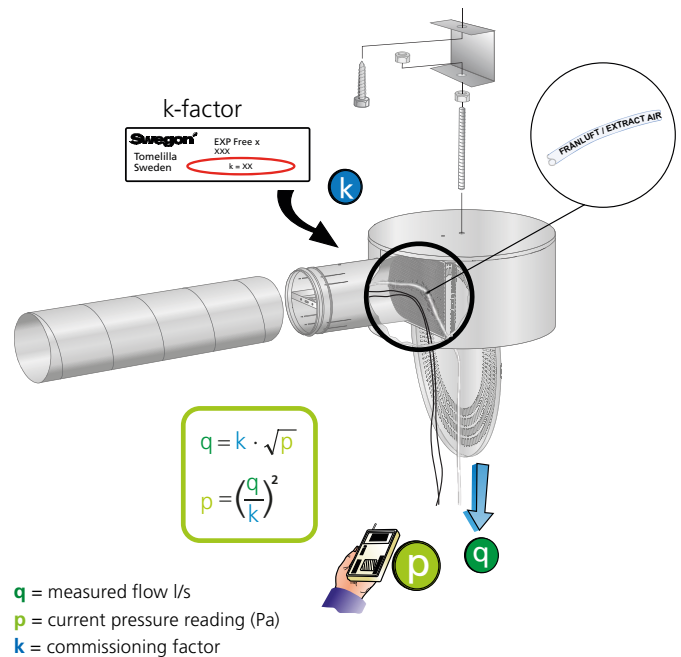


Figure 1. Installation. Commissioning. Maintenance.

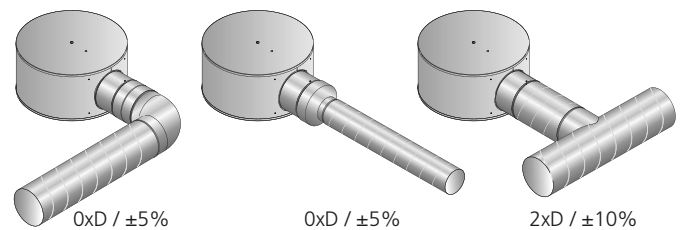


Figure 2. Length of straight section of duct

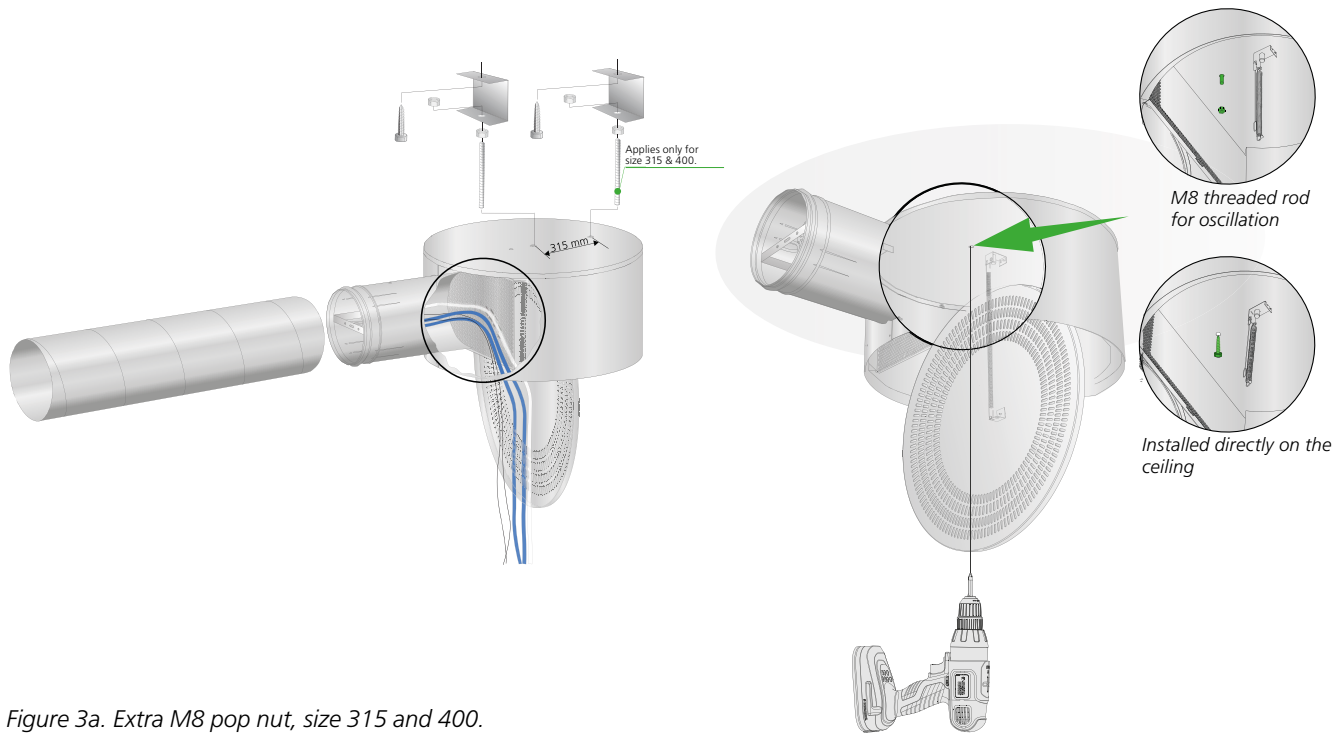


Figure 3a. Extra M8 pop nut, size 315 and 400.

Figure 3b. Alternative installation in pre-punched Ø10 mm hole.

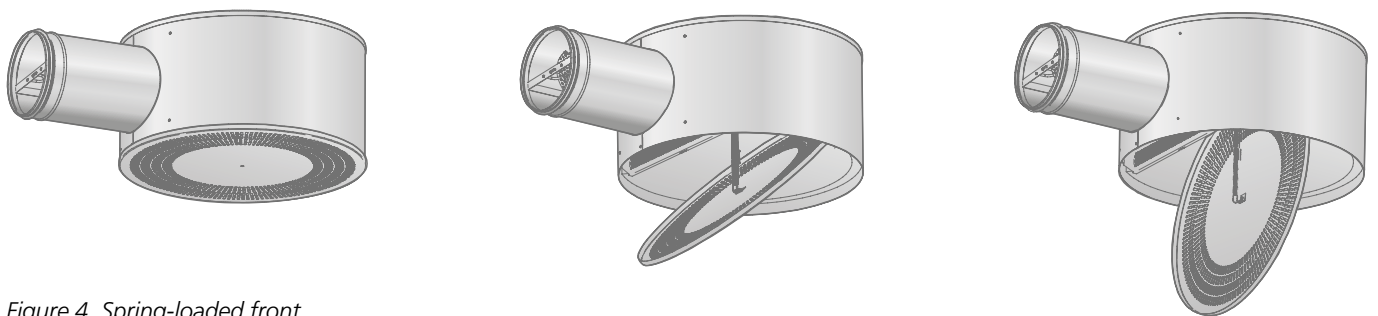


Figure 4. Spring-loaded front.

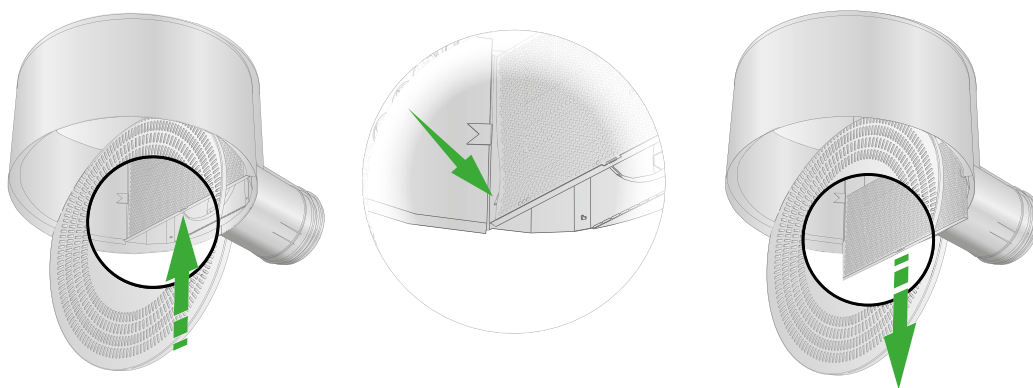



Figure 5. Dismantling the distribution plate.

Note: If necessary, the air distribution plate can be dismantled.

 We recommend wearing gloves as there is a risk of cut injuries to the hands/fingers.

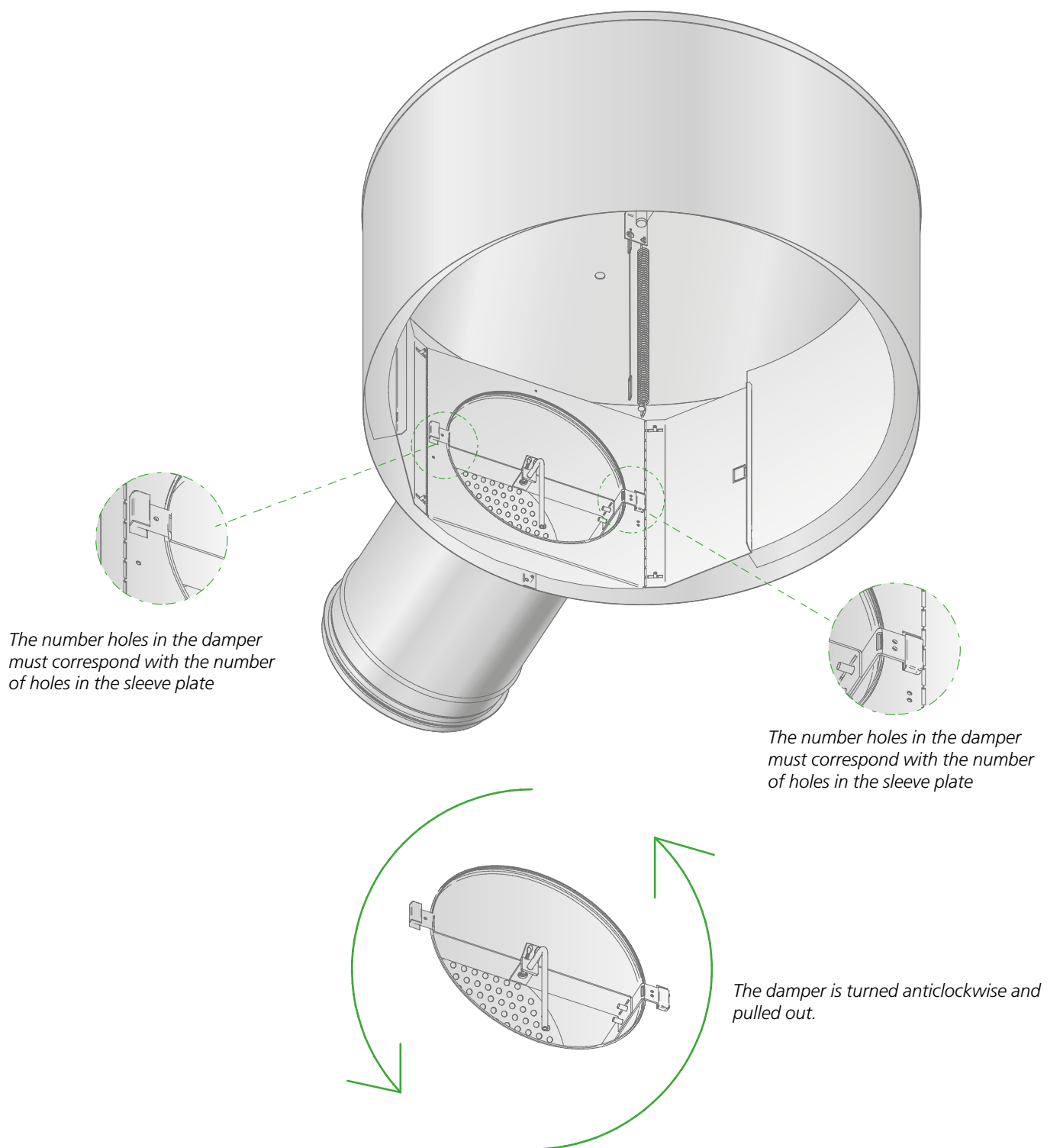



Figure 6. Damper installation and dismantling.

 We recommend wearing gloves as there is a risk of cut injuries to the hands/fingers.

Dimensions and weight K-factor (COP)

Size	A	B	C	D	E	Weight, kg
100	304	192	118	99	96	2,8
125	380	217	210	124	108	3,7
160	456	252	220	159	126	5,0
200	568	288	230	199	144	7,5
250	568	338	275	249	169	8,5
315	700	388	330	314	194	12,4
400	700	488	350	399	244	15,4

EXP F extract air

Size	EXP F extract air	Colour of the tube
100	5,3	Transparent
125	8,6	Transparent
160	14,5	Transparent
200	24,1	Transparent
250	36,3	Transparent
315	57,5	Transparent
400	82,4	Transparent

Number of measuring tubes: 1

NOTE! The blue tubes can be used if the product is converted for supply air with the distributor being replaced with nozzles for COLIBRI Fb and EAGLE Fg.

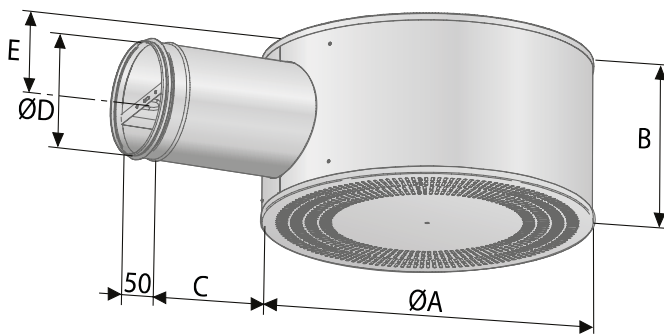


Figure 7. EXP Free.