



For suspended  
mounting



**KITE** Free

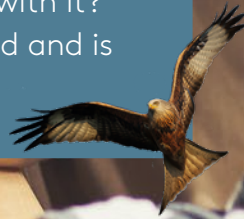
Stylish design with easy  
handling

**Swegon** 

# DESIGN AND PERFORMANCE IN ONE

Performance, design, installation and maintenance are just four of the aspects that were the focus during the development of KITE Free.

The air diffuser was named after the bird kite, which is the coat of arms of the municipality of Tomelilla, Sweden. But what does Sweden have to do with it? Simple, it was here the diffuser was developed and is produced!



AIR FLOW - SOUND PRESSURE ROOM (Lp10A) *)						
KITE Free Size	25 dB (A)		30 dB (A)		35 dB (A)	
	l/s	m <sup>3</sup> /h	l/s	m <sup>3</sup> /h	l/s	m <sup>3</sup> /h
125	53	191	64	230	76	274
160	74	266	88	317	105	378
200	105	378	128	461	156	562
250	136	490	162	583	193	695
315	181	652	216	778	258	929

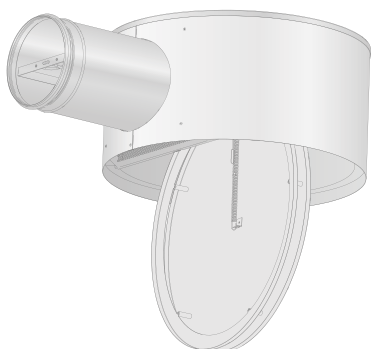
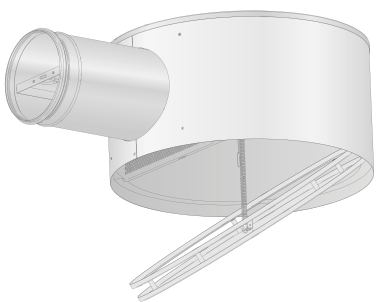
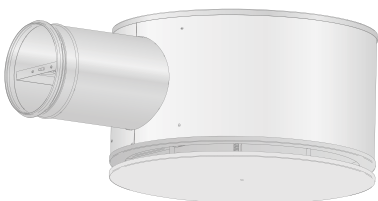
Data presented for an open damper.

\*) L<sub>p10A</sub> = Sound pressure incl. A-filter with 4 dB room attenuation and a 10 m<sup>2</sup> room absorption area.

For the product's full working area in terms of pressure, flow and sound, as well as product data etc., see the product datasheet.

## KITE Free delivers on many levels!

With its stylish design, it blends into most environments and, with its performance, it delivers a silent and draught-free indoor climate. Accordingly, KITE Free gives you both design and performance in the same package.



Installation, commissioning, maintenance and cleaning are faster and less complicated with the help of the spring-loaded front. Which saves both time and money.



Feel good **inside**



**Swegon** 