

KITE Ceiling

Square ceiling diffuser for supply air



QUICK FACTS

Square slot diffuser designed for suspended ceiling system 600x600

Flush design

Spread pattern that can be blanked off with the accessory SECTOR

Suitable for VAV and DCV applications

Manages large temperatures below room temperature (High ΔT)

Supply air diffuser also works for extract air

Easy Access gives fast and easy installation and commissioning

Commissioning box ALS with one- or two-dimensional changes between duct and air diffuser connection

Used together with REACT ALS commissioning box for variable flow regulation

Available in a version with low installation height

Possibility to adapt to various suspended ceiling systems

Standard colour White RAL 9003

- 5 alternative standard colours
- Other colours upon request

AIR FLOW - SOUND PRESSURE ROOM (Lp10A) ¹⁾									
KITE Ceiling Size		25 dB(A)		30 dB(A)		35 dB(A)			
		l/s	m ³ /h	l/s	m ³ /h	l/s	m ³ /h		
125-600		53	191	63	227	73	263		
160-600		66	238	76	274	87	313		
200-600		88	317	102	367	119	428		
250-600		114	410	132	475	153	551		
315-600		125	450	147	529	174	626		
KITE Ceiling Size	ALS Size	25 dB(A)		30 dB(A)		35 dB(A)			
		l/s	m ³ /h	l/s	m ³ /h	l/s	m ³ /h		
125-600	100-125	33	119	39	140	47	169		
160-600	125-160	47	169	56	202	67	241		
200-600	160-200	75	270	87	313	102	367		
250-600	200-250	101	364	118	425	137	493		
315-600	250-315	129	464	149	536	172	619		
KITE Ceiling Size	REACT ALS Size	Min.*		25 dB(A)		30 dB(A)		35 dB(A)	
		l/s	m ³ /h	l/s	m ³ /h	l/s	m ³ /h	l/s	m ³ /h
250-600	160-250	7	25	62	223	74	263	87	313
315-600	250-315	20	72	93	335	108	392	127	457

The table shows supply air data for fully open damper.

¹⁾ Lp10A = Sound pressure incl. A-filter with 4 dB room attenuation and 10 m² room's absorption area.

**The product must not go below min. as the measurement function cannot then be guaranteed. For tolerances, see page 18. NOTE: for a high pressure drop across the product, it may be difficult to reach the min. flow. See the sizing diagrams.*

Contents

Technical description	3
Design	3
Materials and surface treatment.....	3
Accessories	3
Project planning.....	3
Installation	3
Commissioning with ALS	4
Maintenance.....	4
Environment	4
Blanking off the air distribution pattern.....	6
Installation.....	6
Air distribution patterns with blanking plate installed	6
Sizing	7
Sound data – Air diffuser only.....	7
Sound data - Air diffuser with ALS	8
Sound data - Air diffuser with REACT ALS	9
Sizing diagrams.....	10
KITE Ceiling – Air diffuser only	10
KITE Ceiling with ALS – Supply air.....	11
KITE Ceiling with REACT ALS – Supply air	13
KITE Ceiling with ALS - Extract air	14
Dimensions and weights.....	16
Specification.....	17
Specification text.....	18

Technical description

Design

- The square supply air diffuser KITE Ceiling consists of a backing box and a plain diffuser face.
- The diffuser face provides Easy Access on one side and is secured with a spring function on the opposite side.
- Easy Access gives simpler and quicker handling during installation, commissioning and cleaning.
- The air diffuser is available in a low version for installation where the space inside the ceiling void is restricted. The air diffuser is then supplied without sleeve coupling.

Materials and surface treatment

The diffuser is made of galvanized sheet steel. The diffuser has a painted finish on the inside and outside.

- Standard colour:
 - White semi-gloss, lustre 40, RAL 9003/NCS S 0500-N
- Alternative standard colours:
 - Silver gloss, lustre 80, RAL 9006
 - Grey aluminium gloss, lustre 80, RAL 9007
 - White semi-gloss, lustre 40, RAL 9010
 - Black semi-gloss, lustre 35, RAL 9005
 - Grey semi-gloss, lustre 30, RAL 7037
- Non-painted finish and other colours available on request.

Accessories

Commissioning boxes

ALS/REACT ALS

- The commissioning box is made of galvanized sheet steel.
- Removable commissioning damper, fixed measurement tappings.
- Sound-absorbing material^{*)} with reinforced surface layer.
- Air tightness class according to SS-EN 12237 and VVS/AMA 12, class C.
- The commissioning box ALS is available with 1 or 2 changes in dimension between the inlet and outlet.
- A low version is available for the ALS commissioning box where the space inside the ceiling void is restricted. The air diffuser is then supplied without outlet sleeve coupling.

^{*)}Fire resistance rated to B-s1,d0 in accordance with EN ISO 11925-2

Adapter

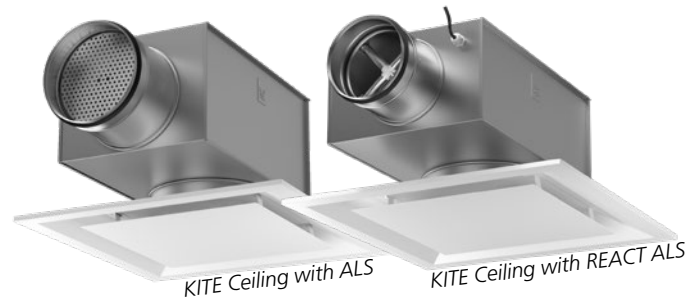
ADAPTER

For visible T-bars in modular suspended ceiling systems. Suitable for lay-in ceilings, e.g. 625 x 625 or 675 x 675.

Blanking plate

SECTOR KITE CR

For blanking off a sector of the air distribution pattern. Applicable to standard installation height.



Project planning

- KITE Ceiling has the dimensions 595 x 595 mm in all connection sizes.
- The air diffuser is easy to install in modular suspended ceilings with modular dimensions of 600 x 600 mm.
- Can be placed on top of the T-bar framework, and then fix it in the duct system. See figure 2.
- In combination with the ALS commissioning box, there is a low version model without inlet spigot.

Installation

- The face is easily removed with a simple action, see figure 1.
- The inlet spigot of the air diffuser backing box can be secured to the connecting duct by means of self-tapping screws or blind rivets.
- For flush-mounting in fixed ceilings, secure the air diffuser to the building structure through the top of the backing box.
- The air diffuser and ALS commissioning box with low installation height are centred with each other using the supplied locking strip. The air diffuser is secured in the correct position with screws or blind rivets in the underside of the commissioning box, see Figure 3.
- For installation in suspended ceilings with a framework, place the air diffuser directly down in the T-bar framework, and then fix it to the duct system or to the commissioning box.
- When an ALS or REACT ALS commissioning box is used, it must be secured to the building structure by means of hangers or mounting brackets.
- The distance between the commissioning box and the air diffuser can be increased up to 500 mm with circular duct, without having to lengthen the measuring tubes and damper adjustment cords. See figure 2.

Commissioning with ALS

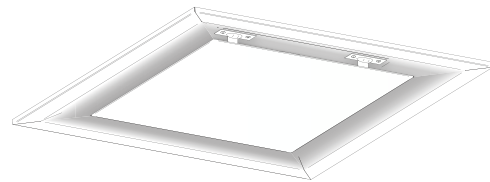
- Commissioning should be carried out with the air diffuser face mounted.
- Pull the measuring tubes and damper adjustment cords out through the face.
- Connect a pressure gauge to the measuring tube/tubes.
- The red tube from the ALS commissioning box in the one-step design is used for supply air.
- The blue tube from the ALS commissioning box in the two-step design.
- For extract air, always use the transparent tube.
- K-factor label is located in the backing box.
- The adjusted damper position is saved by tying together the damper cord in an adjustment knot.
- Measurement accuracy and straight section requirement before the commissioning box, see figure 2.
- Figure 2 shows a bend, a change in dimension and T-piece.
- Other types of disturbance require at least 2xD straight section (D= connection dimension) to obtain a measurement accuracy of $\pm 10\%$ on the flow.
- The K-factor is also specified in the relevant commissioning instructions at www.swegon.com.

Maintenance

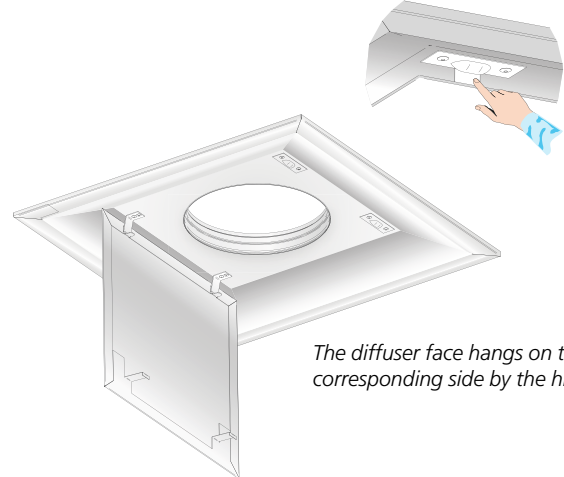
- The extract air diffuser can be cleaned, if necessary, using lukewarm water with dishwashing detergent added.
- Alternatively a vacuum cleaner and brush nozzle is used for cleaning.
- The duct system is cleaned by opening the diffuser face. If a REACT ALS or ALS commissioning box is used, pull the distributor plate aside and then grip and twist the damper unit from of its mounting. See Figure 4.

Environment

The Building Material Declaration is available for downloading at www.swegon.com.



1. Locate the diffuser face's locking devices (2 pcs).
2. Press the spring fasteners (2 pcs) towards the centre of the diffuser, which releases the diffuser face.



The diffuser face hangs on the corresponding side by the hinge.

Figure 1. Easy access, dismantling the diffuser face.

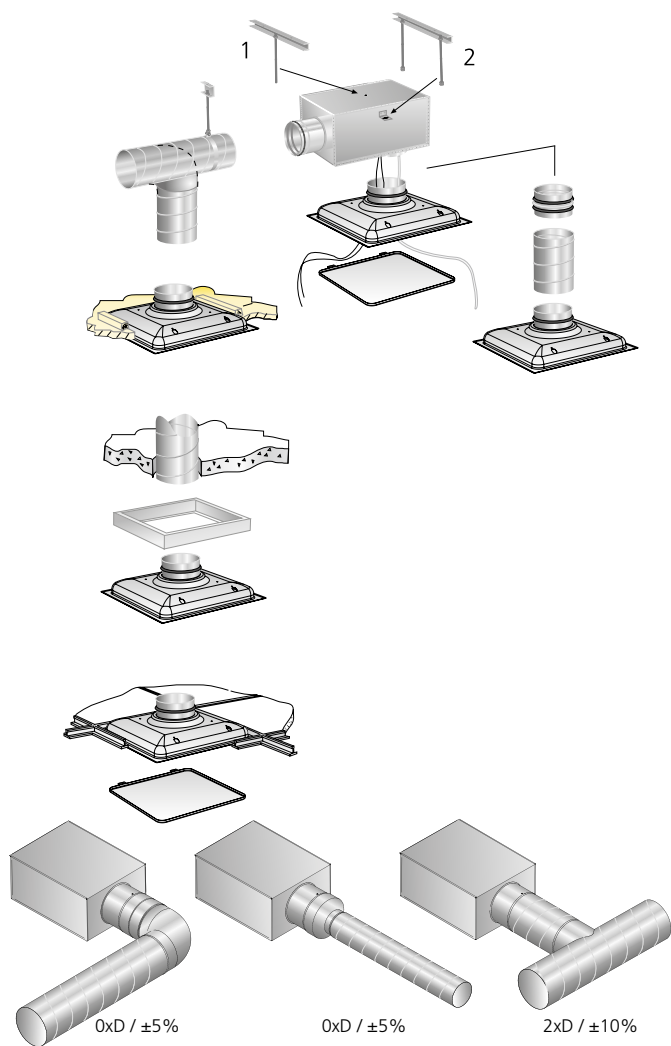


Figure 2. Installation options for the ALS commissioning box. See the REACT ALS product sheet for installation options with active commissioning box.

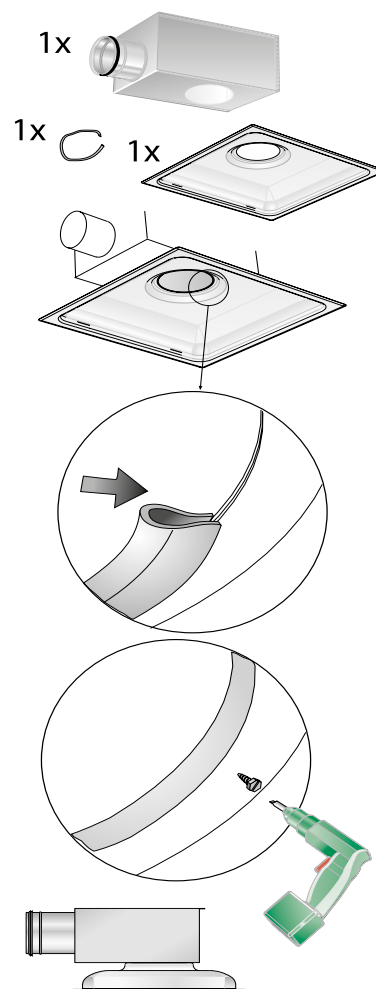


Figure 3. Installation of air diffuser and ALS commissioning box with low installation height.

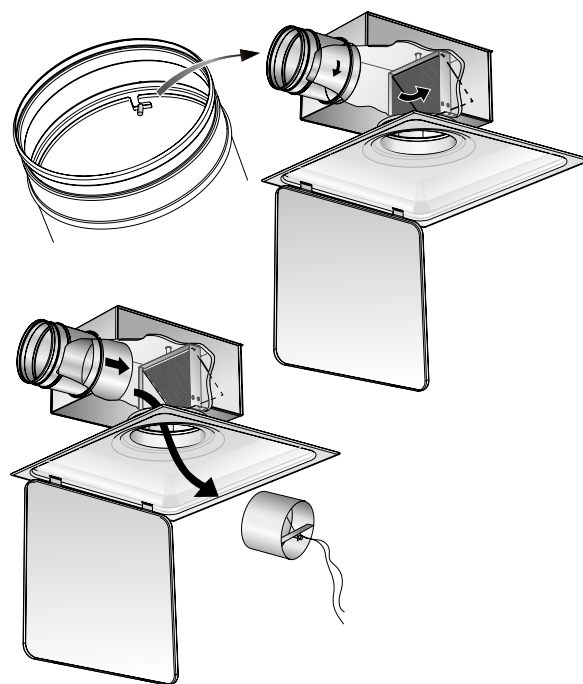


Figure 4. Dismantling the damper when using ALS and REACT ALS commissioning box.

Blanking off the air distribution pattern

**Note: A maximum of 2 blanking plates may be used.
Blanking off only applies to standard installation height.**

To calculate the air stream diffusion, air velocities in the occupied zone or sound levels in rooms where blanking off is performed, please refer to our calculation software available on www.swegon.com.

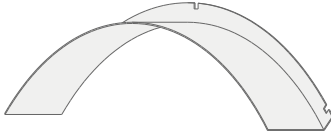


Figure 5. Blanking plate SECTOR KITE CR.

Installation

The blanking plate is equipped with a magnet, which makes it easy and flexible to place it in the desired orientation.

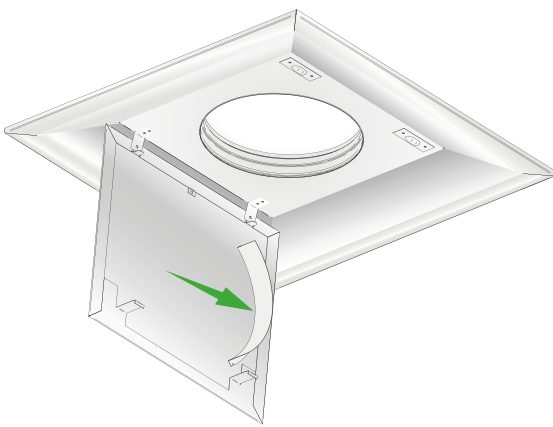


Figure 6. Alternative 1, blanking plate installed in the diffuser face.

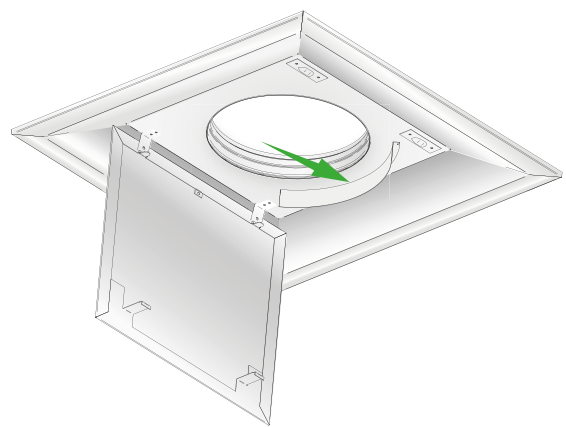


Figure 7. Alternative 2, blanking plate installed in the backing box.

Air distribution patterns with blanking plate installed

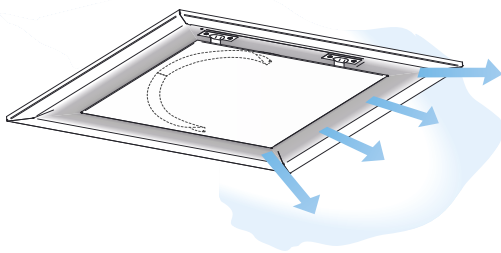


Figure 8. 1-way.
Two blanking plates installed side-by-side on the air diffuser, the joint between the blanking plates is placed in the center of the side.

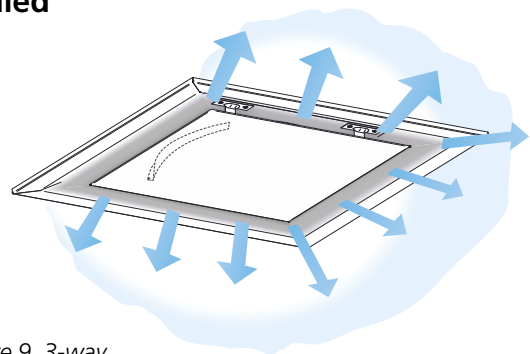


Figure 9. 3-way.
One blanking plate installed on optional side of the air diffuser.

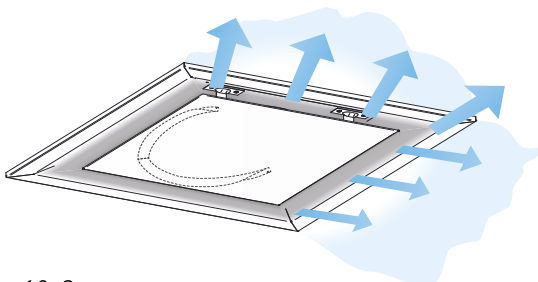


Figure 10. 2-way corner.
Two blanking plates installed side-by-side on the air diffuser, the joint between the blanking plates is placed directed at a corner.

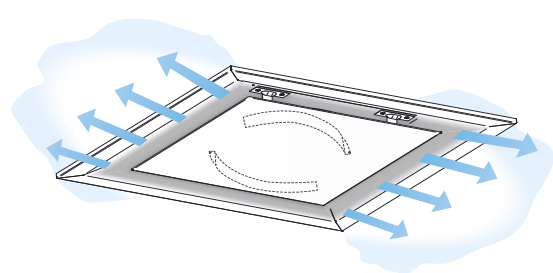


Figure 11. 2-way middle.
Two blanking plates installed on opposite sides of the air diffuser.

Sizing

- Sound pressure level dB(A) applies to rooms with 10 m² equivalent sound absorption area.
- Sound attenuation (ΔL) below is shown in the octave band. Orifice attenuation is included in the values.
- The throw length $l_{0,2}$ is measured under isothermal discharge conditions.
- The recommended max. permissible temperature below room temperature is 10 K.
- For diagram and acoustic data with blanking plate, refer to our calculation programs.
- To calculate the air stream diffusion, air velocities in the occupied zone or sound levels in rooms with other dimensions, please refer to our calculation software, which is at www.swegon.com.

L_w = Sound power level

L_{p10A} = Sound pressure level dB (A)

K_{ok} = Correction for producing the L_w value in the octave band

$L_w = L_{p10A} + K_{OK}$ gives the frequency divided octave band

Sound data – Air diffuser only

KITE Ceiling – Supply air

Sound power level L_w (dB)

Table K_{OK}

Size	Mid-frequency (octave band) Hz							
	63	125	250	500	1000	2000	4000	8000
125-600	-2	6	4	1	1	-7	-18	-26
160-600	-3	9	5	-2	1	-7	-15	-27
200-600	3	12	8	0	-2	-11	-19	-25
250-600	8	12	8	1	-4	-10	-20	-26
315-600	10	13	10	2	-7	-15	-25	-28
Tol. ±	2	2	2	2	2	2	2	2

Sound attenuation ΔL (dB)

Table ΔL

Size	Mid-frequency (Octave band) Hz							
	63	125	250	500	1000	2000	4000	8000
125-600	20	15	10	5	3	5	5	4
160-600	19	14	9	4	3	5	5	4
200-600	19	14	8	3	3	4	5	5
250-600	16	11	5	4	3	3	4	4
315-600	14	9	4	2	2	2	3	3
Tol. ±	2	2	2	2	2	2	2	2

KITE Ceiling – Extract air

Sound power level L_w (dB)

Table K_{OK}

Size	Mid-frequency (octave band) Hz							
	63	125	250	500	1000	2000	4000	8000
125-600	-12	7	5	1	0	-6	-18	-28
160-600	-4	9	6	1	0	-12	-24	-28
200-600	-3	11	5	1	0	-13	-25	-29
250-600	0	13	5	0	-1	-9	-19	-28
315-600	0	12	5	-1	-1	-4	-12	-23
Tol. ±	2	2	2	2	2	2	2	2

Sound attenuation ΔL (dB)

Table ΔL

Size	Mid-frequency (Octave band) Hz							
	63	125	250	500	1000	2000	4000	8000
125-600	20	15	10	5	3	5	5	4
160-600	19	14	9	4	3	5	5	4
200-600	19	14	8	3	3	4	5	5
250-600	16	11	5	4	3	3	4	4
315-600	14	9	4	2	2	2	3	3
Tol. ±	2	2	2	2	2	2	2	2

Sound data - Air diffuser with ALS commissioning box

KITE Ceiling + ALS – Supply air – One step

Sound power level L_w (dB)

Table K_{OK}

Size	Mid-frequency (octave band) Hz							
	63	125	250	500	1000	2000	4000	8000
125-600	0	8	5	2	-4	-6	-11	-18
160-600	4	9	6	1	-3	-6	-13	-19
200-600	9	9	6	0	-2	-7	-14	-20
250-600	3	10	4	-2	-2	-6	-14	-20
315-600	8	12	7	0	-4	-8	-15	-20
Tol. ±	2	2	2	2	2	2	2	2

Sound attenuation ΔL (dB)

Table ΔL

Size	Mid-frequency (octave band) Hz							
	63	125	250	500	1000	2000	4000	8000
125-600	21	16	9	17	23	16	11	13
160-600	19	14	10	17	19	12	10	12
200-600	16	11	8	16	18	12	11	11
250-600	13	8	8	16	17	12	12	13
315-600	11	6	7	19	14	10	10	13
Tol. ±	2	2	2	2	2	2	2	2

KITE Ceiling + ALS – Supply air – Two steps

Sound power level L_w (dB)

Table K_{OK}

Size	Mid-frequency (octave band) Hz							
	63	125	250	500	1000	2000	4000	8000
160-600	-4	8	4	0	-3	-5	-10	-18
200-600	2	9	5	0	-3	-5	-12	-17
250-600	2	11	5	-2	-2	-5	-13	-19
315-600	2	11	4	-3	-4	-6	-14	-18
Tol. ±	2	2	2	2	2	2	2	2

Sound attenuation ΔL (dB)

Table ΔL

Size	Mid-frequency (octave band) Hz							
	63	125	250	500	1000	2000	4000	8000
160-600	19	14	11	17	24	15	13	15
200-600	18	14	10	16	23	15	14	15
250-600	15	9	9	20	19	15	16	14
315-600	13	8	10	19	16	13	16	16
Tol. ±	2	2	2	2	2	2	2	2

KITE Ceiling + ALS – Extract air – One step

Sound power level L_w (dB)

Table K_{OK}

Size	Mid-frequency (octave band) Hz							
	63	125	250	500	1000	2000	4000	8000
125-600	-4	9	6	2	-4	-9	-14	-23
160-600	-1	11	7	1	-4	-8	-14	-22
200-600	5	11	5	-1	-4	-8	-14	-24
250-600	-1	10	1	-3	-2	-6	-13	-23
315-600	4	11	4	-2	-2	-5	-11	-21
Tol. ±	2	2	2	2	2	2	2	2

Sound attenuation ΔL (dB)

Table ΔL

Size	Mid-frequency (octave band) Hz							
	63	125	250	500	1000	2000	4000	8000
125-600	21	16	9	17	23	16	11	13
160-600	19	14	10	17	19	12	10	12
200-600	16	11	8	16	18	12	11	11
250-600	13	8	8	16	17	12	12	13
315-600	11	6	7	19	14	10	10	13
Tol. ±	2	2	2	2	2	2	2	2

KITE Ceiling + ALS – Extract air – Two steps

Sound power level L_w (dB)

Table K_{OK}

Size	Mid-frequency (octave band) Hz							
	63	125	250	500	1000	2000	4000	8000
160-600	-8	10	7	1	-5	-6	-11	-20
200-600	-2	13	6	0	-6	6	-12	-20
250-600	-1	13	4	-3	-6	-7	-13	-23
315-600	-1	13	4	-3	-3	-6	-13	-21
Tol. ±	2	2	2	2	2	2	2	2

Sound attenuation ΔL (dB)

Table ΔL

Size	Mid-frequency (octave band) Hz							
	63	125	250	500	1000	2000	4000	8000
160-600	19	14	11	17	24	15	13	15
200-600	18	14	10	16	23	15	14	15
250-600	15	9	9	20	19	15	16	14
315-600	13	8	10	19	16	13	16	16
Tol. ±	2	2	2	2	2	2	2	2

Sound data - Air diffuser with REACT ALS active commissioning box

KITE Ceiling + REACT ALS – Supply air

Sound power level L_w (dB)

Table K_{OK}

Size	Mid-frequency (octave band) Hz							
	63	125	250	500	1000	2000	4000	8000
160-250	-2	2	-3	-7	-9	-11	-12	-5
250-350	-2	2	-3	-6	-6	-9	-12	-7
Tol. \pm	2	2	2	2	2	2	2	2

Sound attenuation ΔL (dB)

Table ΔL

Size	Mid-frequency (octave band) Hz							
	63	125	250	500	1000	2000	4000	8000
160-250	15	9	9	20	19	15	16	14
250-350	13	8	10	19	16	13	16	16
Tol. \pm	2	2	2	2	2	2	2	2

Sizing diagrams

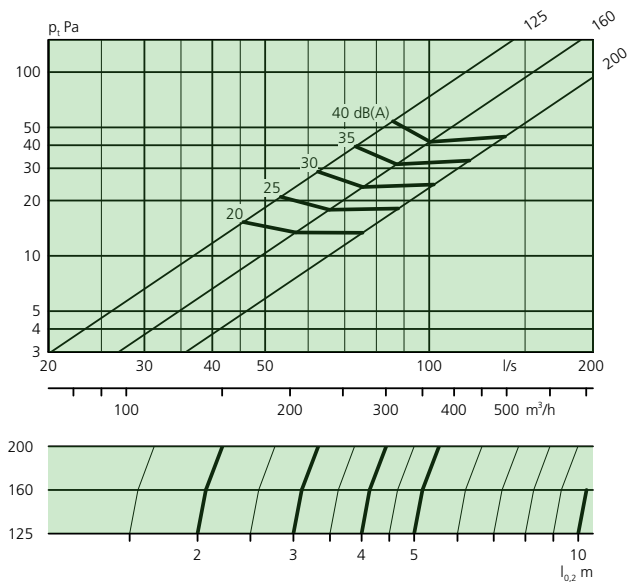
Air flow – Pressure drop – Sound level - Throw lengths

- The diagrams illustrate data for recessed air diffuser in a ceiling.
- The diagrams should not be used for commissioning.
- The dB(A) values apply to rooms with normal acoustic absorption, 4 dB room attenuation/10 m² equivalent room absorption area.
- The dB(C) value is normally 6-9 dB higher than the dB(A) value.
- The throw length $l_{0.2}$ is measured under isothermal discharge conditions.
- The recommended max. permissible temperature below room temperature is 10 K.

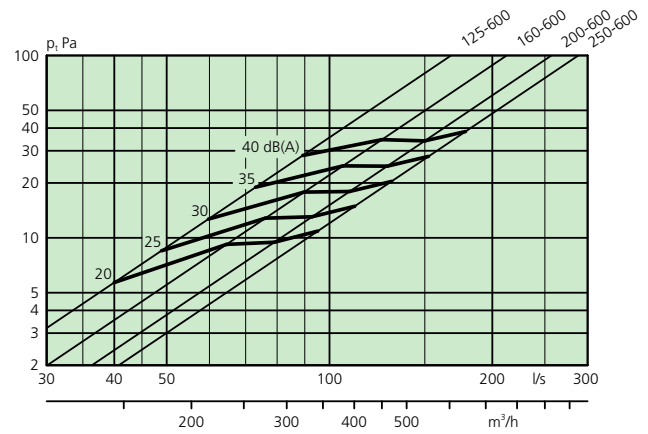
- ∇ = Min. flow required for obtaining sufficient commissioning pressure.
- The version for low installation height generates about 3 dB(A) higher sound level than the value plotted in the graph.
- For diagrams with blanking plate, refer to our calculation programs.
- To calculate the air stream diffusion, air velocities in the occupied zone or sound levels in rooms with other dimensions, please refer to our calculation software available on www.swegon.com

KITE Ceiling – Air diffuser only

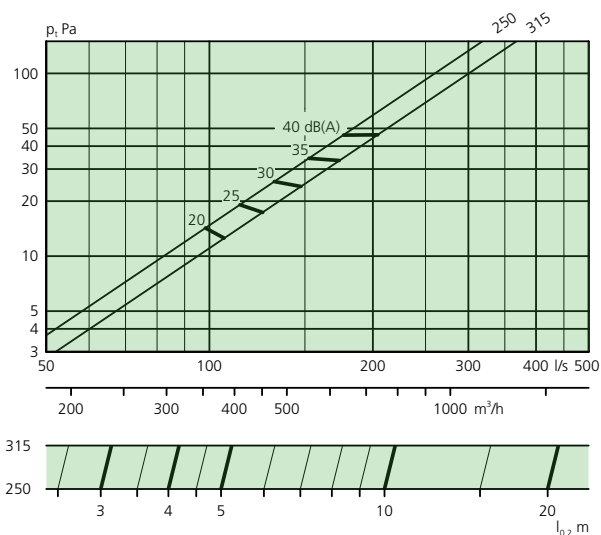
KITE Ceiling 125-600, 160-600, 200-600 – Supply air



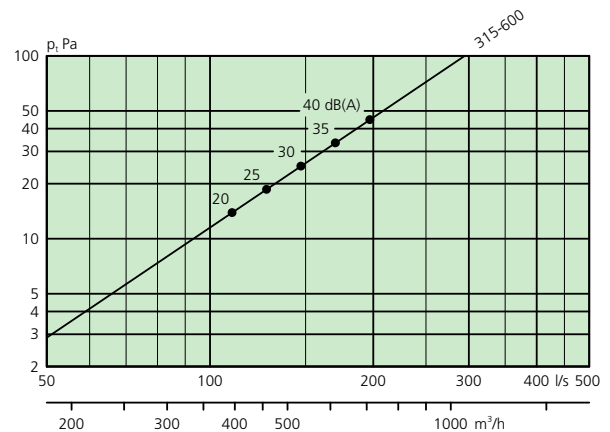
KITE Ceiling 125-600, 160-600, 200-600, 250-600 – Extract air



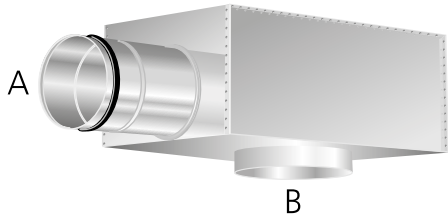
KITE Ceiling 250-600, 315-600 – Supply air



KITE Ceiling 315-600 – Extract air



KITE Ceiling with ALS commissioning box – Supply air



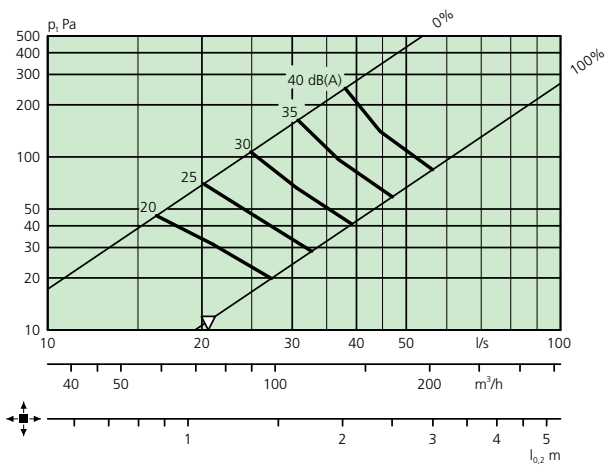
Correlation, connection dimensions.

A = duct connection, B = air diffuser connection.

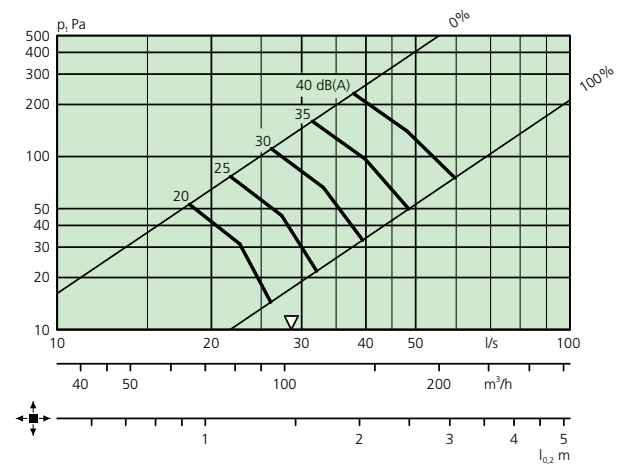
Explanation of step model:

- One step = A dimensional change between A and B, e.g. A = Ø160 mm and B = Ø200 mm.
- Two steps = Two-dimensional changes between A and B, e.g. A = Ø160 mm and B = Ø250 mm.

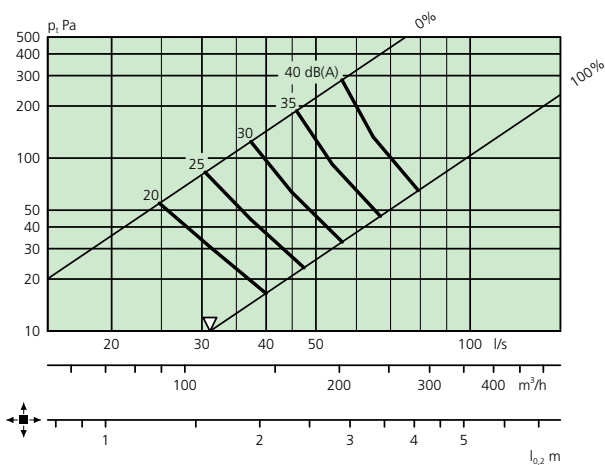
KITE Ceiling 125-600 + ALS 100-125 – One step



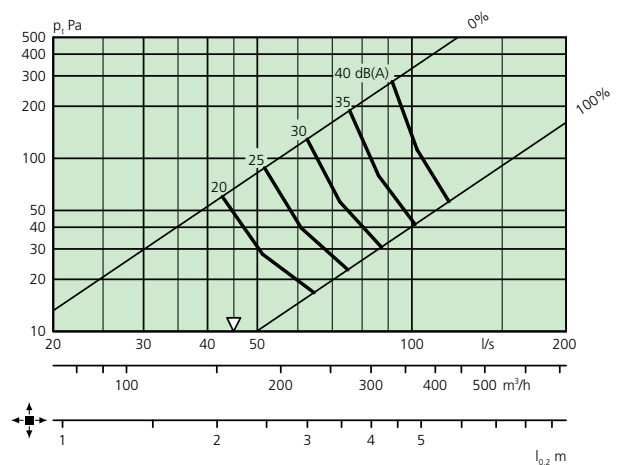
KITE Ceiling 160-600 + ALS 100-160 - Two steps



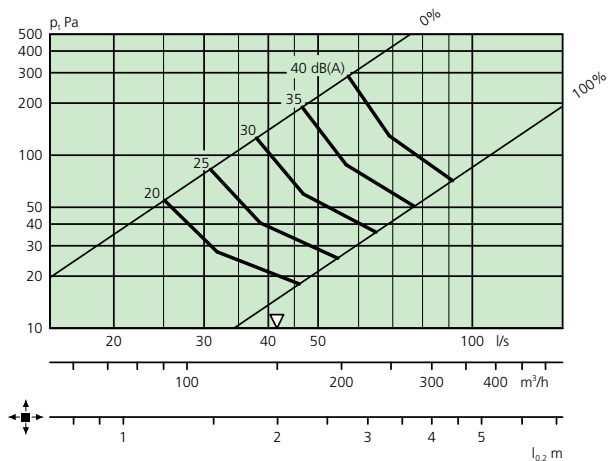
KITE Ceiling 160-600 + ALS 125-160 – One step



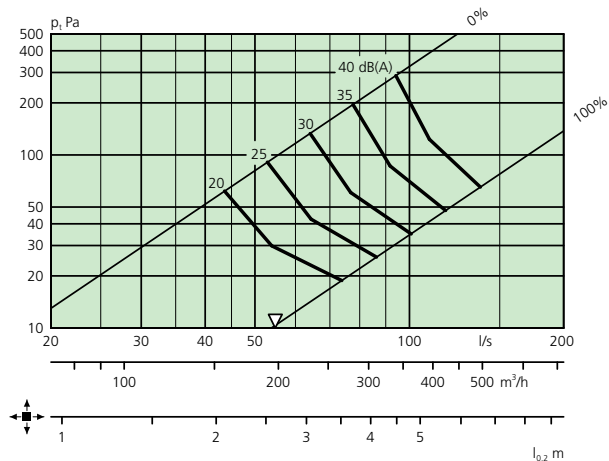
KITE Ceiling 200-600 + ALS 160-200 – One step



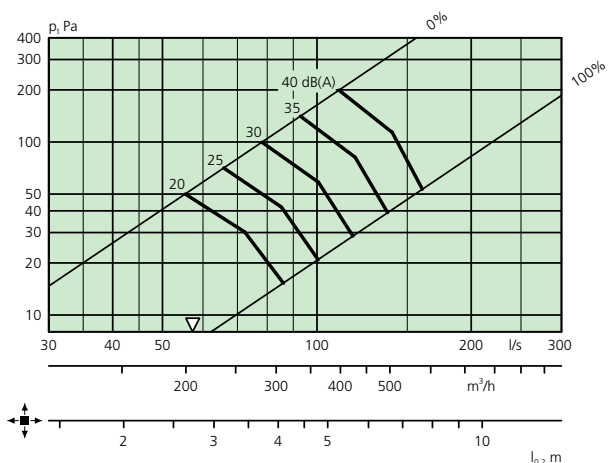
KITE Ceiling 200-600 + ALS 125-200 – Two steps



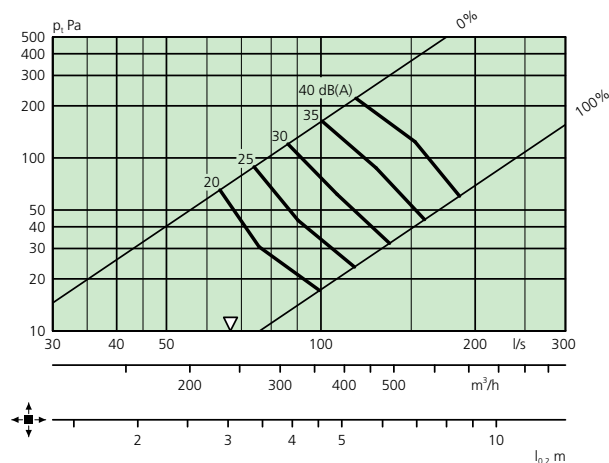
KITE Ceiling 250-600 + ALS 160-250 – Two steps



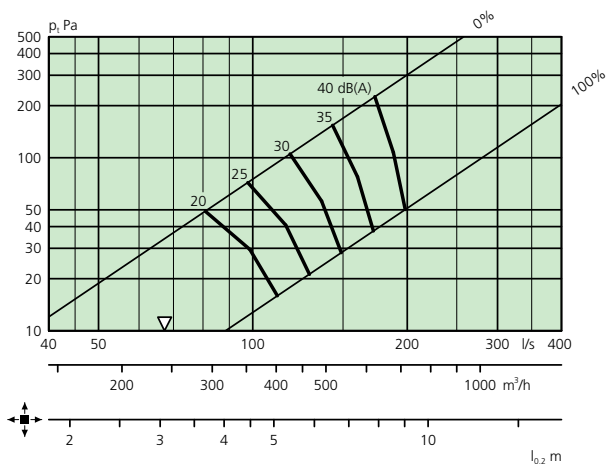
KITE Ceiling 250-600 + ALS 200-250 – One step



KITE Ceiling 315-600 + ALS 200-315 – Two steps

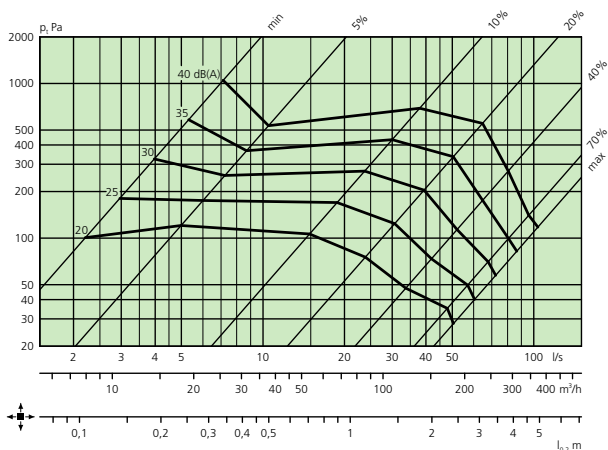


KITE Ceiling 315-600 + ALS 250-315 – One step

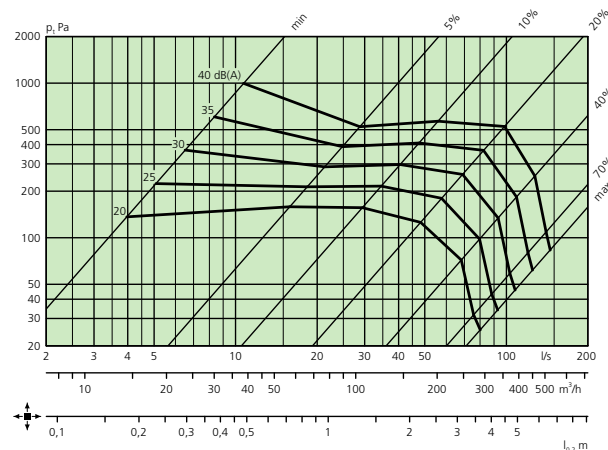


KITE Ceiling with REACT ALS active commissioning box – Supply air

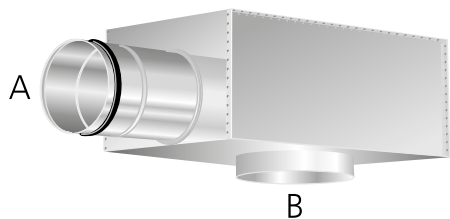
KITE Ceiling 250-600 + REACT ALS 160-250



KITE Ceiling 315-600 + REACT ALS 250-315



KITE Ceiling with ALS commissioning box - Extract air



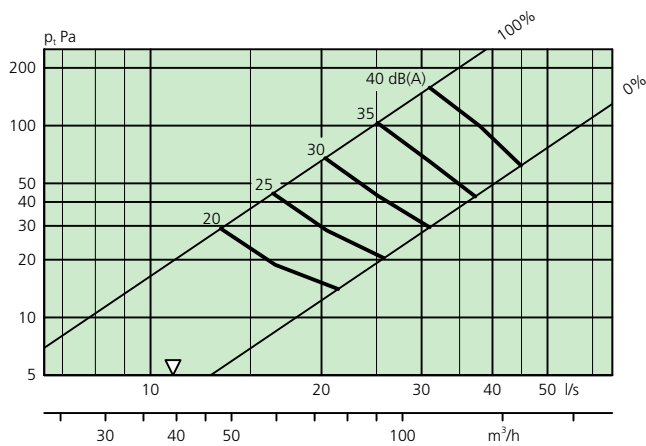
Correlation, connection dimensions.

A = duct connection, B = air diffuser connection.

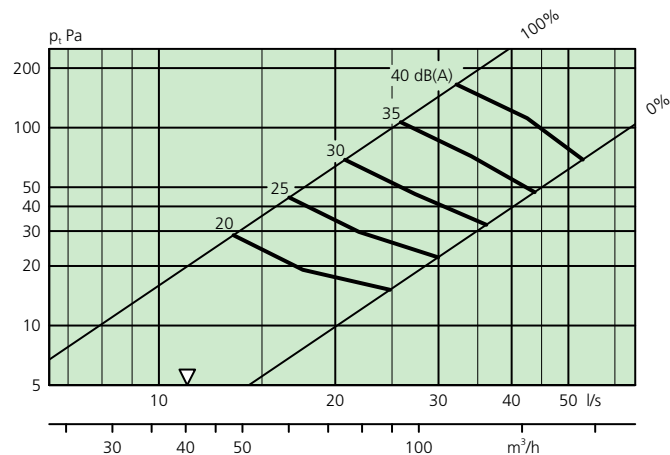
Explanation of step model:

- One step = A dimensional change between A and B, e.g. A = Ø160 mm and B = Ø200 mm.
- Two steps = Two-dimensional changes between A and B, e.g. A = Ø160 mm and B = Ø250 mm.

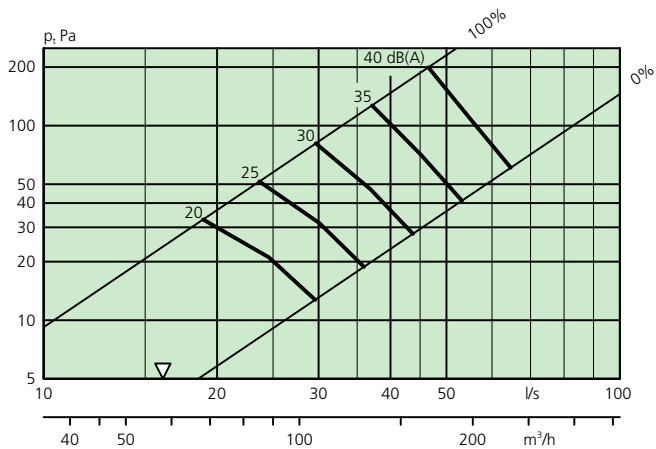
KITE Ceiling 125-600 + ALS 100-125 – One step



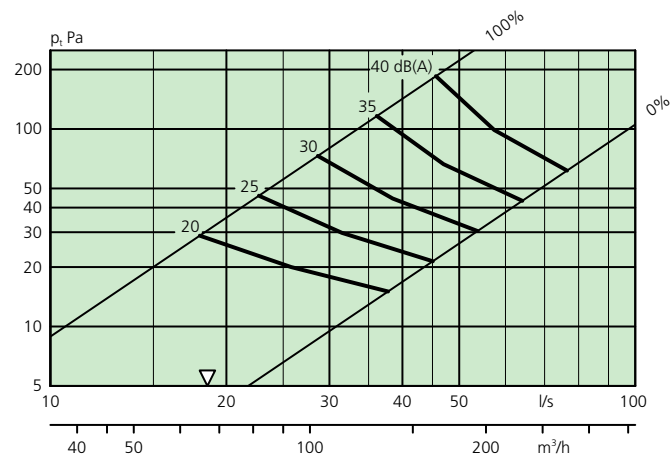
KITE Ceiling 160-600 + ALS 100-160 – Two steps



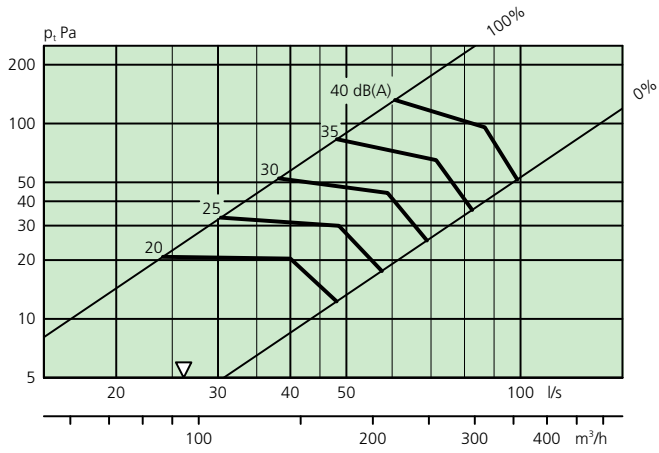
KITE Ceiling 160-600 + ALS 125-160 – One step



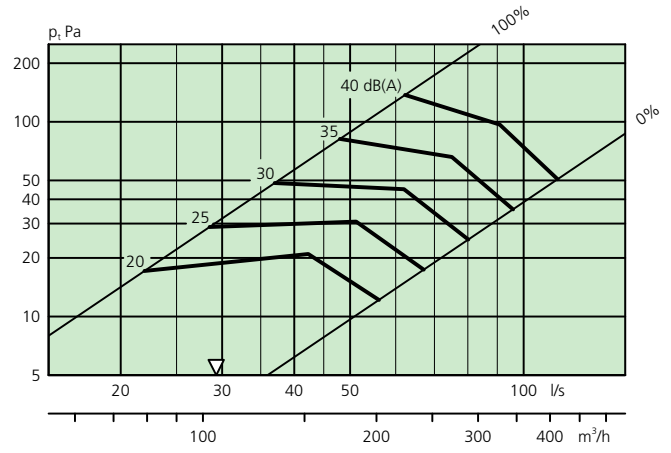
KITE Ceiling 200-600 + ALS 125-200 – Two steps



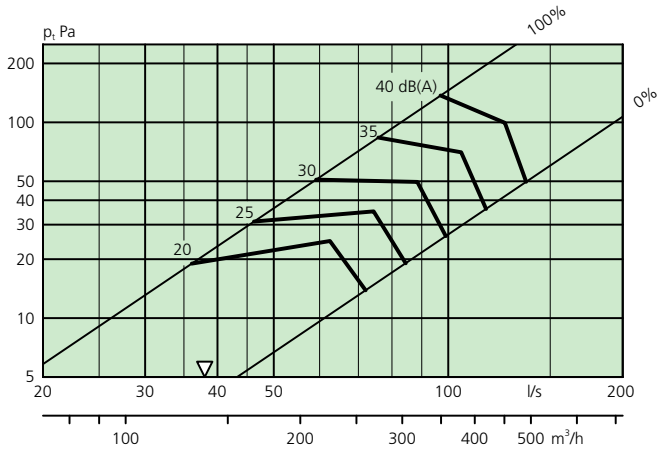
KITE Ceiling 200-600 + ALS 160-200 – One step



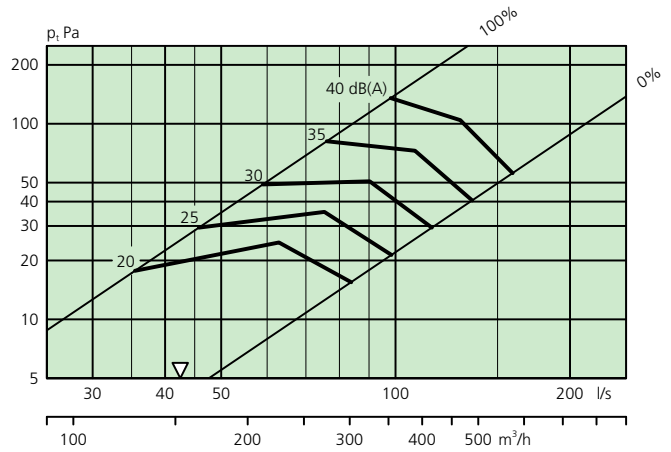
KITE Ceiling 250-600 + ALS 160-250 – Two steps



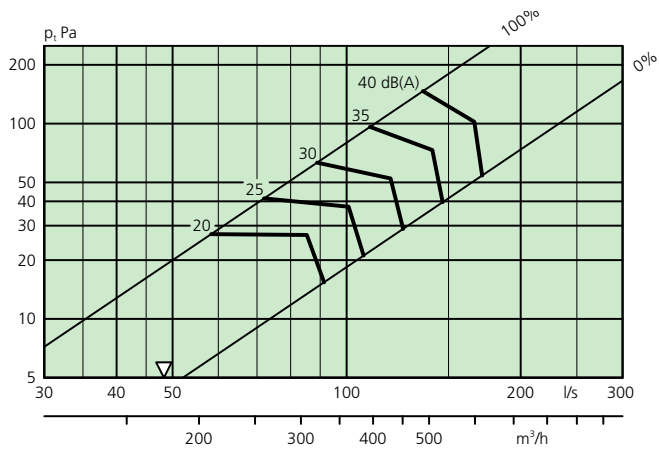
KITE Ceiling 250-600 + ALS 200-250 – One step



KITE Ceiling 315-600 + ALS 200-315 – Two steps



KITE Ceiling 315-600 + ALS 250-315 – One step



Dimensions and weights

KITE Ceiling

Size	ØA	Weight, kg
125	125	3.4
160	160	3.3
200	200	3.3
250	250	3.3
315	315	3.3

Size of the opening = 520 x 520

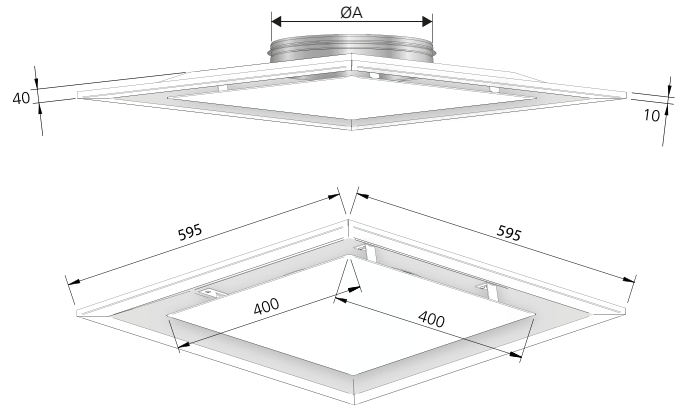


Figure 12. KITE Ceiling.

KITE Ceiling with ALS commissioning box - One step

Size	A	B	C	ØD	Ød	E1	E2	F1	F2	G1	G2	H	K	Weight, kg
125-600	595	282	217	99	125	225	182	83	40	145	102	270	80	5.2
160-600	595	342	252	124	160	249	206	83	40	158	115	315	80	5.9
200-600	595	404	288	159	200	284	241	83	40	175	132	375	100	6.8
250-600	595	504	332	199	250	324	281	83	40	195	152	465	115	8.2
315-600	595	622	388	249	315	385	342	83	40	220	177	575	140	10.9

KITE Ceiling with ALS commissioning box - Two steps

Size	A	B	C	ØD	Ød	E1	E2	F1	F2	G1	G2	H	K	Weight, kg
160-600	595	342	252	99	160	225	182	83	40	145	102	315	80	5.5
200-600	595	404	288	124	200	249	206	83	40	158	115	355	80	6.2
250-600	595	504	332	159	250	284	241	83	40	175	132	450	100	7.4
315-600	595	622	388	199	315	324	281	83	40	195	152	550	115	9.7

KITE Ceiling with REACT ALS active commissioning box

Size	A	B	C	ØD	Ød	E1	F1	G1	H	K	Weight, kg
250-600	595	504	332	159	250	284	83	184	450	100	8.1
315-600	595	622	388	249	315	383	83	235	575	140	10.9

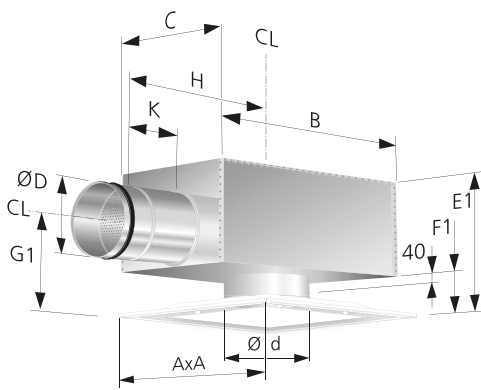


Figure 13. KITE Ceiling with ALS or REACT ALS commissioning box. CL = Centreline

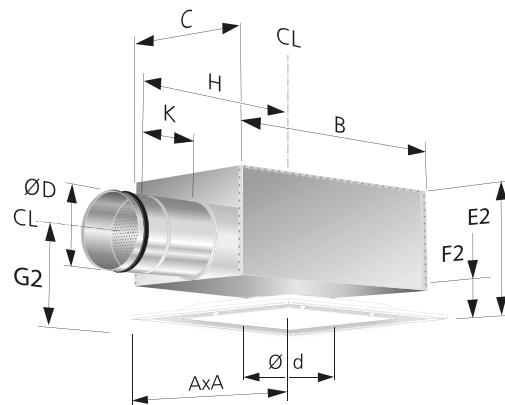


Figure 14. KITE Ceiling with ALS commissioning box. Low installation height.

Specification

Product

Square ceiling diffuser KITE Ceiling a bbb -ccc -L

Version

Size:

125, 160, 200, 250, 315

Nominal square dimension, mm

600

Low version: L

Low design only in combination with the low version of the ALS commissioning box

Standard range

Size: 125-600

160-600

200-600

250-600

315-600

Accessories

Commissioning box ALS d aaa - bbb -c

Version:

For KITE Ceiling:

ALS:

125-600

100-125

160-600

100-160

160-600

125-160

200-600

125-200

200-600

160-200

250-600

160-250

250-600

200-250

315-600

200-315

315-600

250-315

Low installation height: L

Specified only if a low version is required.

Commissioning box with variable flow regulation REACT ALS a aaa

Version:

For KITE Ceiling:

REACT ALS:

250-600

160-250

315-600

250-315

Blanking plate SECTOR KITE CR

Adapter for modular suspended ceiling ADAPTER
See specification in separate product sheet

Specification text

Air diffuser with ALS commissioning box

Make: Swegon

Type: KITE Ceiling + ALS

Swegon's complete square slot diffuser for ceiling installation, type KITE Ceiling, with ALS commissioning box including the following functions:

- Designed for modular suspended ceilings (600x600mm).
- Easy Access for simple access to the commissioning box and the duct system.
- Potential to change air distribution pattern with the accessory SECTOR.
- Cleanable ALS commissioning box with removable commissioning damper.
 - Method of measurement with low systematic error.
 - Interior sound absorbing lining with reinforced surface layer.
- Powder-painted and baked white finish, RAL 9003/NCS S 0500-N

Specification	KITE Ceiling	
Corrosivity class:	C2 (Powder paint Epoxy Polyester)	
Specification	ALS	
Air tightness class, casing:	C	
Corrosivity class:	C3	
Size:	KITE CRa aaa-bbb-c with ALSd aaa-bbb-c	xx pcs
Accessories		
Adapter:	ADAPTER a -b-ccc	xx pcs
Blanking plate:	SECTOR KITE CR	xx pcs

Air diffuser with REACT ALS active commissioning box

Make: Swegon

Type: KITE Ceiling + REACT ALS

Swegon's complete square slot diffuser for ceiling installation, type KITE Ceiling, with REACT ALS commissioning box including the following functions:

- Pressure-independent VAV unit for demand-controlled ventilation.
- Integrated flow measurement.
- Integrated controller, flow regulating.
- Setting and reading of parameters on controller.

Must be installed with a minimum straight duct section on the inlet side as per the product sheet for REACT ALS.

Size:	Ø160 Ø250	
Specification	KITE Ceiling	
Corrosivity class:	C2 (Powder paint Epoxy Polyester)	
Specification	REACT ALS	
Standard SS-EN 1751:	2014, Annex C	
Power supply:	24 V AC ±15% 50 - 60Hz	
Air tightness class, casing:	C	
Corrosivity class:	C3	
Tolerance flow measurement:	±5%, however, at least ±X l/s according to the table in the product sheet for REACT ALS	
Size:	KITE CRa aaa-bbb with REACT ALSa aaa-bbb	xx pcs
Accessories		
Adapter:	ADAPTER a -b-ccc	xx pcs
Blanking plate:	SECTOR KITE CR	xx pcs