

COLIBRI Free

Circular ceiling diffuser with nozzles for suspended installation



QUICK FACTS

- Rotatable nozzles
- 100% flexible distribution pattern
- Provision for vertical air diffusion
- Swirl function
- Substantial induction capacity
- Designed for installation in rooms without suspended ceiling
- If necessary, the perforated air distribution plate can be dismantled for extract air systems, and rectified easily in connection with installation/commissioning
- Easy accessible
- Can be supplied in a galvanized design
- Standard colour White RAL 9003
 - 5 alternative standard colours
 - Other colours upon request

AIR FLOW - SOUND PRESSURE ROOM (Lp10A) *)						
COLIBRI F Size	25 dB(A)		30 dB(A)		35 dB(A)	
	l/s	m ³ /h	l/s	m ³ /h	l/s	m ³ /h
100	31	112	36	130	44	158
125	48	173	58	209	70	252
160	74	266	89	320	110	396
200	113	407	134	482	160	576
250	130	468	150	540	180	648
315	165	594	195	702	230	828
400	181	651,6	210	756	250	900

Data presented for an open damper. The product's full working area in terms of pressure, flow and sound are evident from the sizing diagrams.

**) L_{p10A} = Sound pressure incl. A-filter with 4 dB room attenuation and 10 m² room absorption area.*

Contents

Technical description	3
Version	3
Materials and surface treatment	3
Adaptation	3
Project planning	3
Installation	3
Commissioning	3
Maintenance	3
Environment	3
Sizing	6
Acoustic data	6
COLIBRI F – Supply air	6
COLIBRI F – Extract air	6
Sizing diagram	7
COLIBRI F – Supply air	7
Throw lengths	8
COLIBRI F – Extract air	9
Dimensions and weights	10
Nozzle setting, example	10
Specification	10
Specification text	10

Technical description

Version

The supply air diffuser consists of a circular commissioning box and a removable diffuser face. The commissioning box contains a removable commissioning damper, fixed measurement tapping and sound absorbent insulation covered by a reinforced surface layer, rated to Fire resistance class B-s1,d0 conforming to EN ISO 11925-2. The diffuser face is equipped with aerodynamic, rotatable nozzles.

Materials and surface treatment

The diffuser face is made of sheet steel. The commissioning box is made of galvanized sheet steel. The diffuser is finished, internally and externally.

- Standard colour:
 - White semi-gloss, lustre 40, RAL 9003/NCS S 0500-N
- Alternative standard colours:
 - Silver gloss, lustre 80, RAL 9006
 - Grey aluminium gloss, lustre 80, RAL 9007
 - Blanc semi-brillant, lustre 40, RAL 9010
 - Black semi-gloss, lustre 35, RAL 9005
 - Grey semi-gloss, lustre 30, RAL 7037
- Non-painted finish and other colours available on request.

The nozzles are made of plastic (PP-polypropylene).

Adaptation

Besides the standard sizes, the air diffusers can be ordered with adapted dimensions, alternative number of nozzles, special nozzle pattern, etc. COLIBRI Free is also available in a galvanized version. For further particulars, get in touch with your nearest Swegon representative.

Project planning

The nozzles are rotatable through 360°. This makes it possible to achieve an infinite number of horizontal or vertical air diffusion combinations without altering the air flow, sound level or pressure drop. The measurement method for COLIBRI free is in accordance with the differential pressure method of measurement in the inlet air branch. This requires a length of straight duct upstream of the ceiling diffuser's measurement unit, as in table 1, so as not to exceed the specified measurement inaccuracy.

The measurement tapping for supply air is located in the duct connection of the air diffuser whereas the measurement tapping for extract air is located inside the commissioning box.

Installation

The air diffuser is normally suspended from the ceiling. An M8 pop nut, i.e. a threaded grommet that facilitates installation, is in the centre of the top of the air diffuser. On the size 315 and 400 air diffusers, there are two M8 pop nuts for more stable mounting, see figure 1a.

Alternative installation in pre-punched Ø10 mm hole, see figure 1b.



Refer to the separate Installation-Commissioning-Maintenance document for detailed installation instructions.

Commissioning

Commissioning should be carried out with the wall diffuser face mounted. Pull the measuring tubes and damper adjustment cords out of the air diffuser through the nozzles. The rated coefficient of performance (K-factor) is specified on the identification label of the product and in the relevant commissioning instructions at www.swegon.com.

Maintenance

- Clean the air diffuser if needed with lukewarm water and dishwashing detergent added.
- The duct system can be accessed and lightly pulling the spring-loaded diffuser face downwards and then tilting, see figure 2.
- Dismantle the perforated air distribution plate located on the inlet as shown in figure 3.
Use in extract air version: If necessary, the perforated air distribution plate can be dismantled, performed in connection with installation or commissioning.
- Loosen the damper in the inlet from its bayonet fastening by rotating to the side.

Environment

The Building Materials Declaration is available from www.swegon.com

Table 1.

Type of obstruction upstream of COLIBRI F	Straight section before COLIBRI F	
	$m_2 = 5\%$	$m_2 = 10\%$
One 90° bend.	3 x Ød	2 x Ød
Two 90° bends in the same plane	4 x Ød	2 x Ød
Two 90° bends in alignment at right angles to one another.	4 x Ød	2 x Ød
One 45° damper	6 x Ød	3 x Ød
One T-piece	4 x Ød	3 x Ød

m_2 = Error of method according to NVG's Report T32:1982

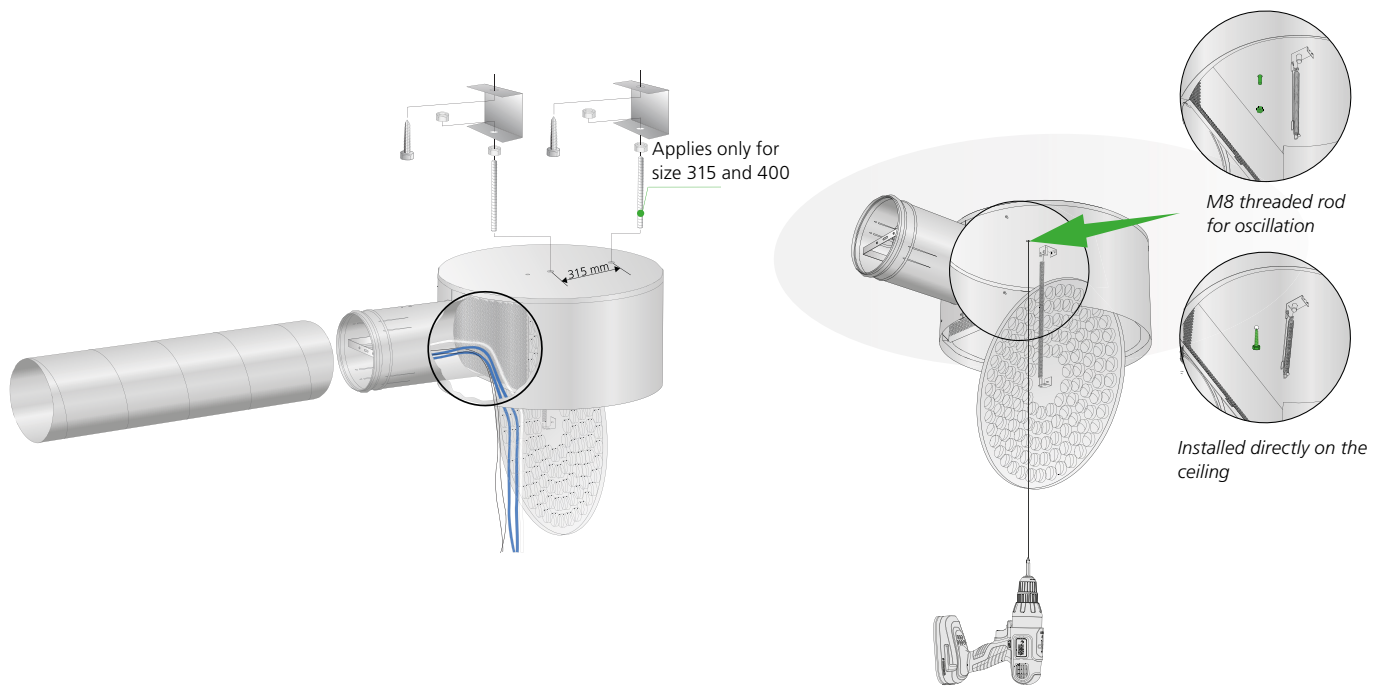


Figure 1a. Installation.

Figure 1b. Alternative installation in pre-punched Ø10 mm hole.

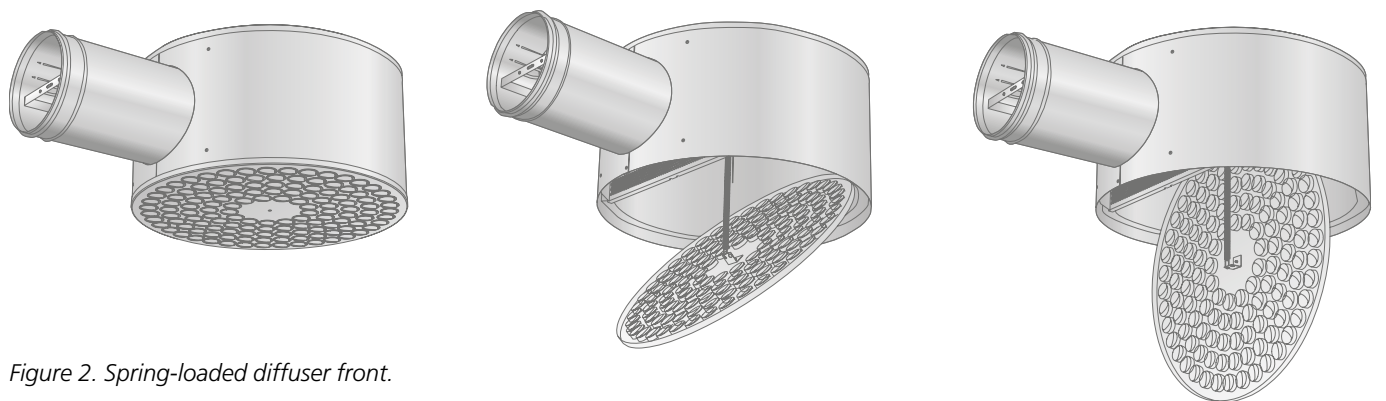


Figure 2. Spring-loaded diffuser front.

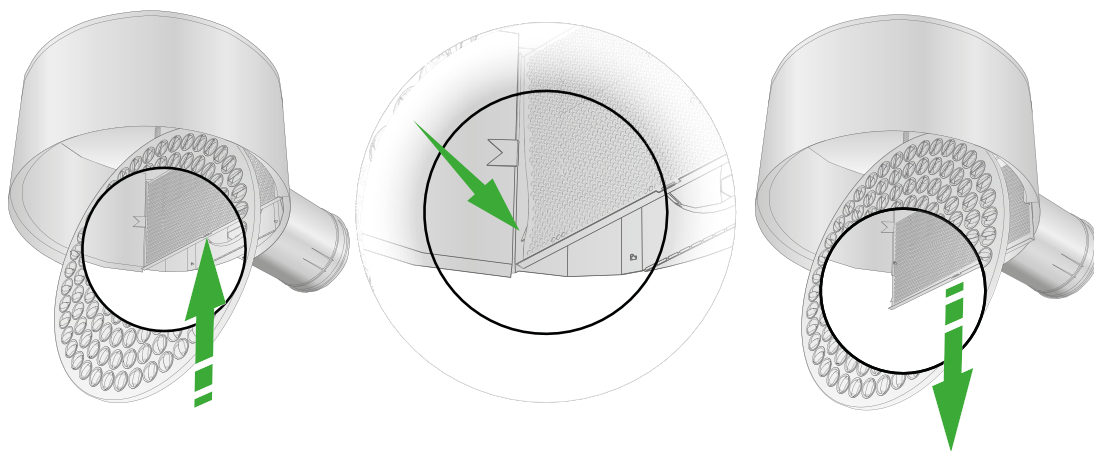

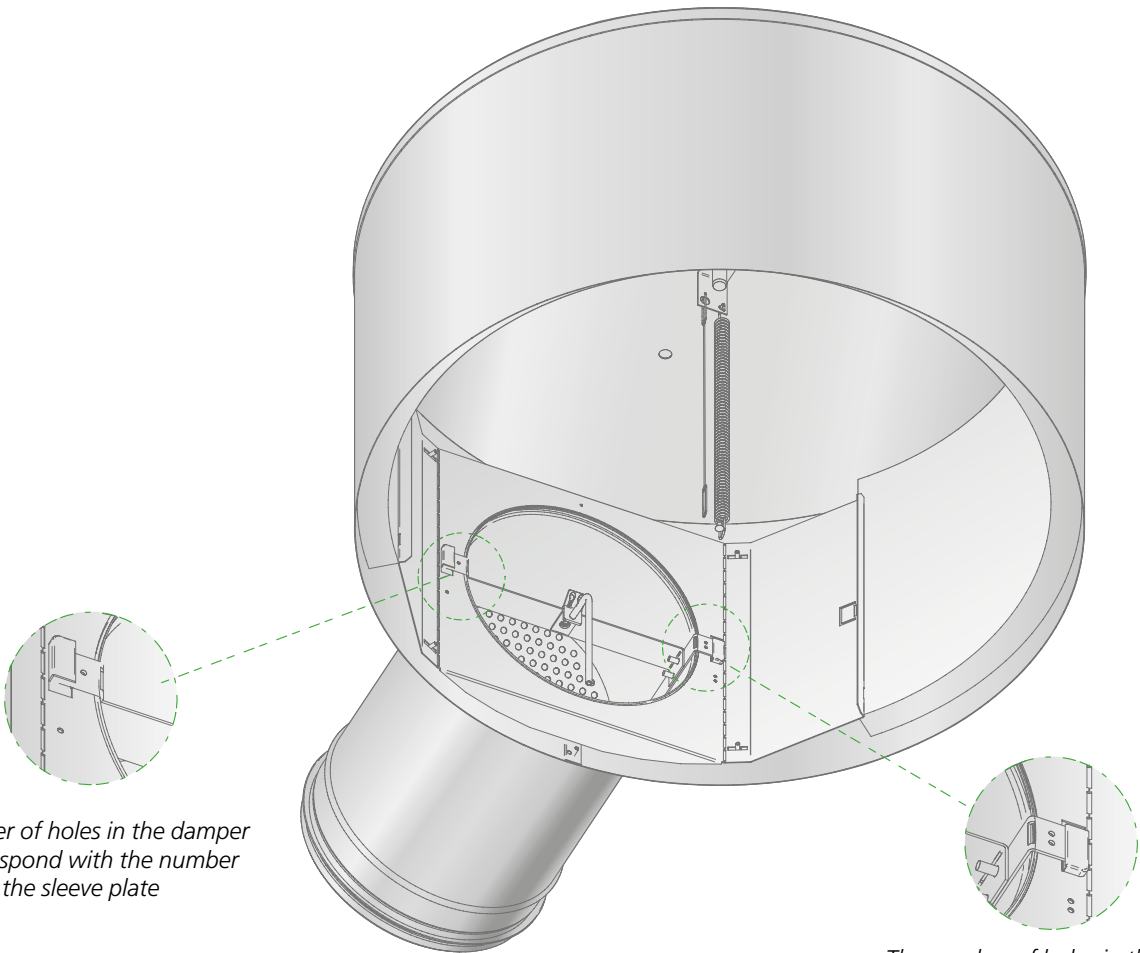


Figure 3. Dismantling of perforated air distribution plate.

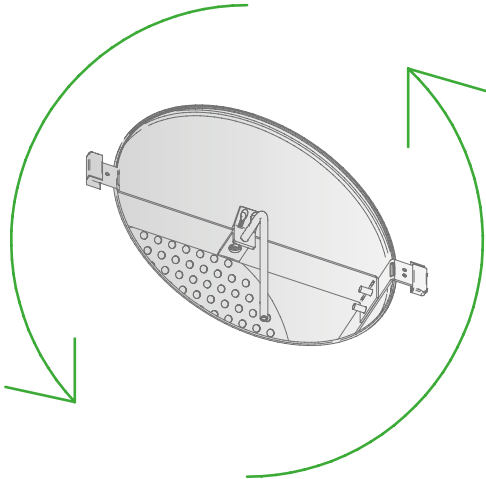
Note: If necessary, the perforated air distribution plate can be dismantled for the extract air version.

 We recommend wearing gloves as there is a risk of cut injuries to the hands/fingers.




The number of holes in the damper must correspond with the number of holes in the sleeve plate

The number of holes in the damper must correspond with the number of holes in the sleeve plate



The damper is turned anticlockwise and pulled out.

Figure 4. Damper installation and dismantling.

 We recommend wearing gloves as there is a risk of cut injuries to the hands/fingers.

Sizing

- Sound pressure level dB(A) applies to rooms with 10 m² equivalent sound absorption area.
- Sound attenuation (ΔL) below is shown in the octave band. Orifice attenuation is included in the values.
- The throw $l_{0,2}$ is measured under isothermal discharge conditions.
- A max. permissible temperature below room temperature of 14 K is recommended when setting the nozzles for clockwise swirling air discharge (standard).
- To calculate the air stream diffusion, air velocities in the occupied zone or sound levels in rooms with other dimensions, please refer to our calculation software available on www.swegon.com.

L_w = Sound power level

L_{p10A} = Sound pressure level dB (A)

K_{ok} = Correction for producing the L_w value in the octave band

$L_w = L_{p10A} + K_{OK}$ gives the frequency divided octave band

Acoustic data

COLIBRI F – Supply air

Sound power level L_w (dB)

Table K_{OK}

COLIBRI F Size	Mid-frequency (octave band) Hz							
	63	125	250	500	1000	2000	4000	8000
100	-9	8	9	-3	-5	-6	-13	-18
125	-6	8	9	-2	-4	-6	-13	-17
160	-7	9	8	-2	-2	-7	-15	-18
200	-5	12	7	-1	-2	-9	-17	-20
250	-3	10	5	-1	-1	-8	-17	-22
315	1	10	5	0	-1	-10	-19	-22
400	4	10	4	1	1	-10	-22	-28
Tol. \pm	2	2	2	2	2	2	2	2

Sound attenuation ΔL (dB)

Table ΔL

COLIBRI F Size	Mid-frequency (Octave band) Hz							
	63	125	250	500	1000	2000	4000	8000
100	27	16	12	13	14	11	9	13
125	25	14	10	14	12	9	8	12
160	21	13	11	12	10	8	9	11
200	18	12	11	11	8	7	8	12
250	18	10	10	10	6	6	9	11
315	15	7	7	8	6	6	8	11
400	14	6	6	8	5	5	7	10
Tol. \pm	2	2	2	2	2	2	2	2

COLIBRI F – Extract air

Sound power level L_w (dB)

Table K_{OK}

COLIBRI F Size	Mid-frequency (octave band) Hz							
	63	125	250	500	1000	2000	4000	8000
100	-12	8	9	-3	-5	-7	-17	-19
125	-10	8	8	-1	-5	-7	-14	-19
160	-6	9	7	-1	-3	-6	-14	-17
200	-6	10	5	0	-2	-7	-14	-18
250	-4	10	5	1	-2	-7	-14	-19
315	-1	10	5	2	-2	-8	-16	-22
400	1	8	3	3	-1	-7	-17	-24
Tol. \pm	2	2	2	2	2	2	2	2

Sound attenuation ΔL (dB)

Table ΔL

COLIBRI F Size	Mid-frequency (Octave band) Hz							
	63	125	250	500	1000	2000	4000	8000
100	27	16	12	13	14	11	9	13
125	25	14	10	14	12	9	8	12
160	21	13	11	12	10	8	9	11
200	18	12	11	11	8	7	8	12
250	18	10	10	10	6	6	9	11
315	15	7	7	8	6	6	8	11
400	14	6	6	8	5	5	7	10
Tol. \pm	2	2	2	2	2	2	2	2

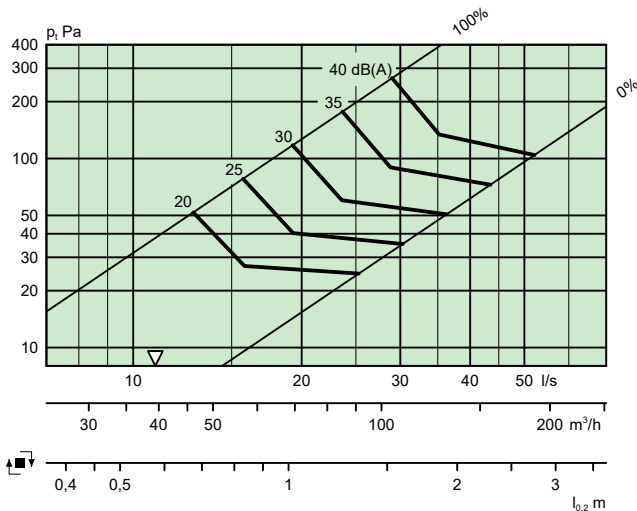
Sizing diagram

COLIBRI F – Supply air

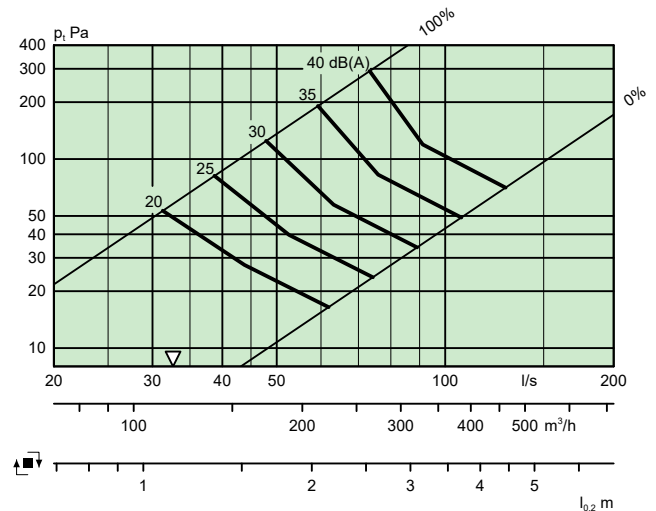
Air flow - Pressure drop - Sound level – Throw length

- The throw $l_{0,2}$ is measured under isothermal discharge conditions.
- A max. permissible temperature below room temperature of 14 K is recommended when setting the nozzles for clockwise swirling air discharge (standard).
- To calculate the air stream diffusion, air velocities in the occupied zone or sound levels in rooms with other dimensions, please refer to our calculation software available on www.swegon.com.
- The diagrams should not be used for commissioning.
- ∇ = Min. flow required for obtaining sufficient commissioning pressure.
- The dB(A) values apply to rooms with normal acoustic absorption, 4 dB room attenuation/10 m² equivalent room absorption area.
- The dB(C) value is normally 6-9 dB higher than the dB(A) value.
- For data regarding vertical distribution pattern, please refer to our calculation software available on www.swegon.com.
- For particulars of the throws, see Table 2: Factors for alternative nozzle settings.

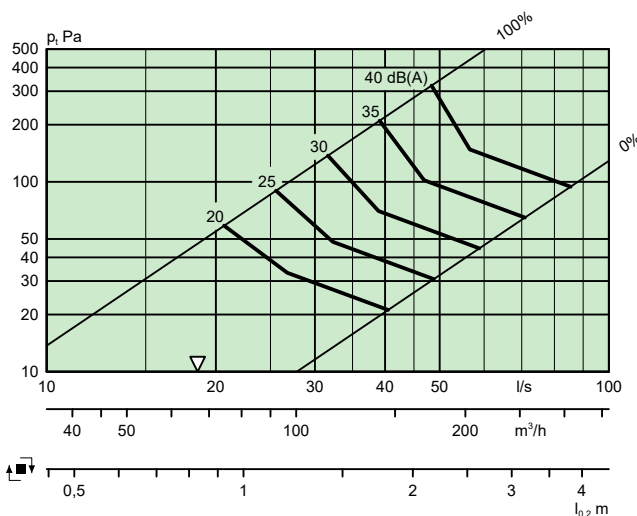
COLIBRI F 100



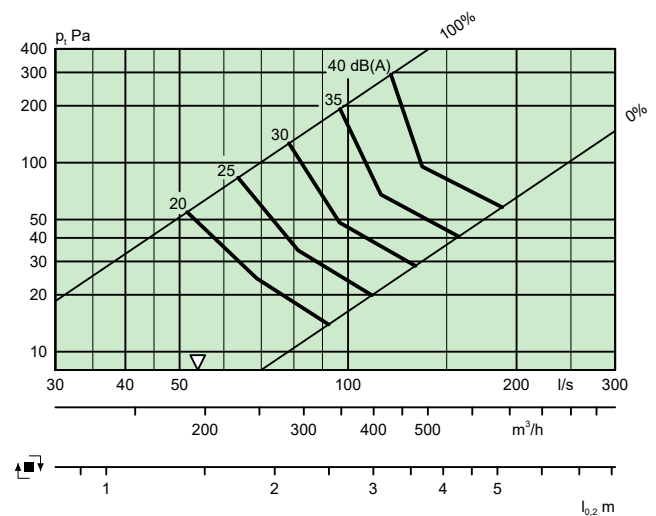
COLIBRI F 160



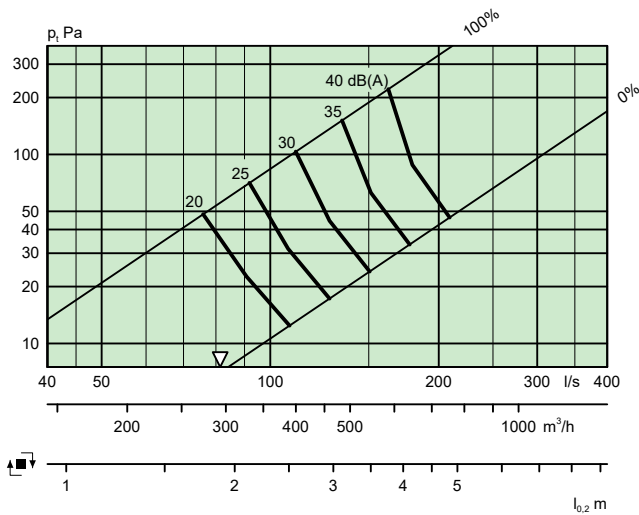
COLIBRI F 125



COLIBRI F 200



COLIBRI F 250



Throw lengths

The throw $l_{0.2}$ is specified in the sizing graphs for standard nozzle settings, clockwise swirling air discharge. If a different setting is desirable, Table 2 can be used. See also figure 6, Nozzle settings, under Dimensions and Weights.

Table 2. Factors for alternative nozzle settings

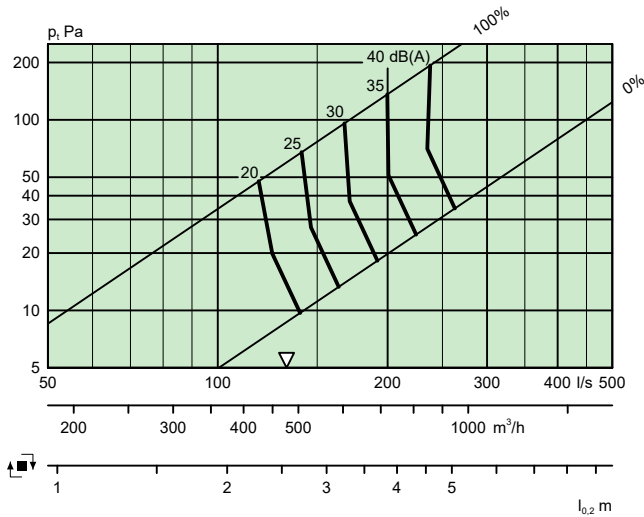
4-way	3-way	2-way	1-way
1,5	2.1	2,5	3.8

Example:

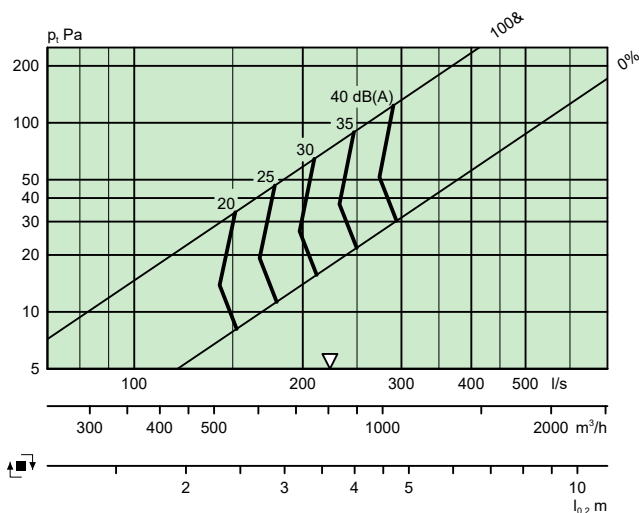
According to the graph, the COLIBRI F 250 has a throw of $l_{0.2} = 2.3$ m.

For 2-way air diffusion $l_{0.2} = 2.3 \times 2.5 = 5.75$ m.

COLIBRI F 315



COLIBRI F 400

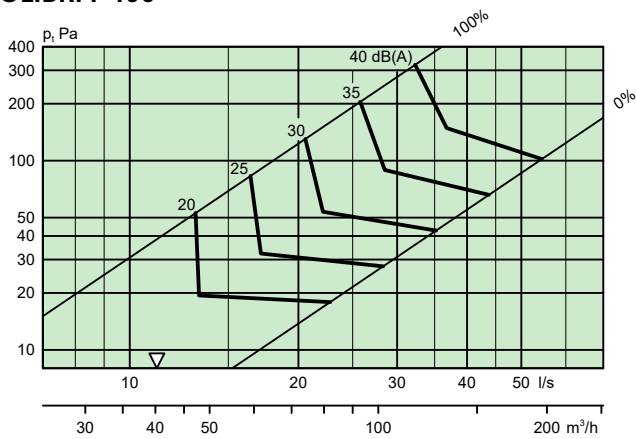


COLIBRI F – Extract air

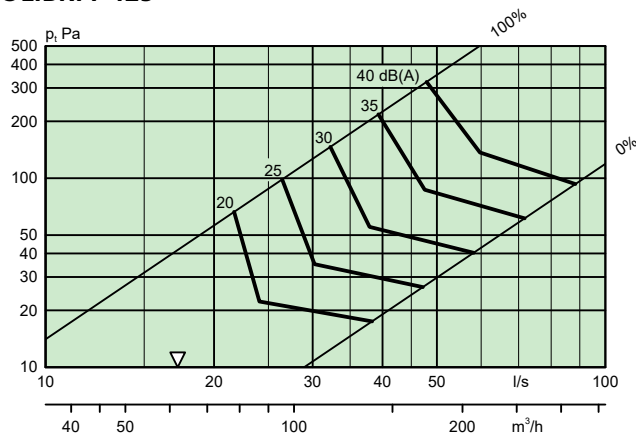
Air flow – Pressure drop – Sound level

- The diagrams should not be used for commissioning.
- ∇ = Min. flow required for obtaining sufficient commissioning pressure.
- The dB(A) values apply to rooms with normal acoustic absorption, 4 dB room attenuation/10 m² equivalent room absorption area.
- The dB(C) value is normally 6-9 dB higher than the dB(A) value.
- In the extract air version, the perforated air distribution plate can be dismantled to reduce blockage. K-factor and sound are not affected.

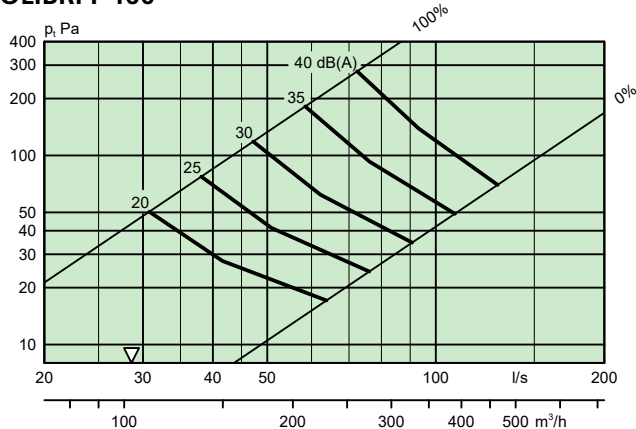
COLIBRI F 100



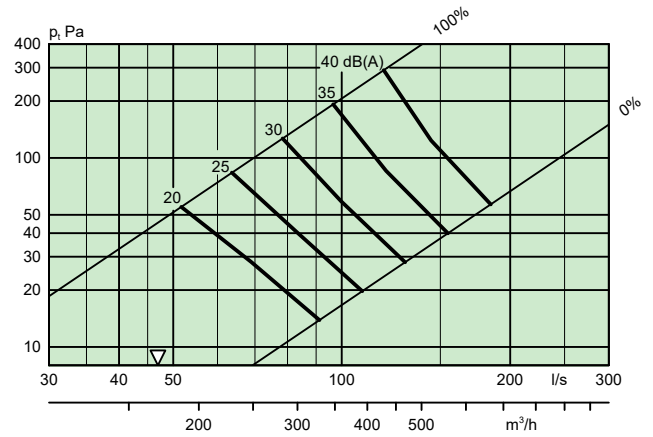
COLIBRI F 125



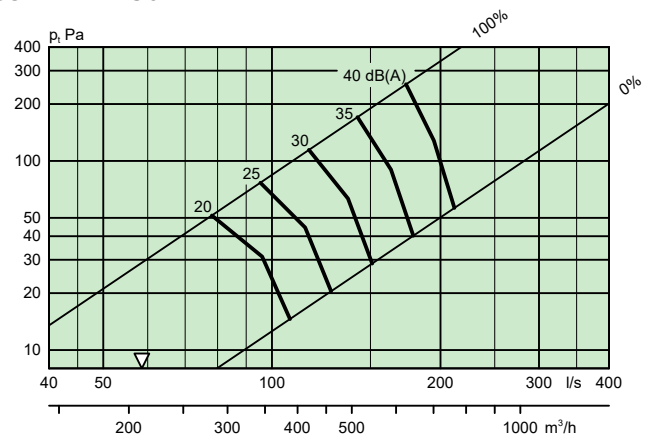
COLIBRI F 160



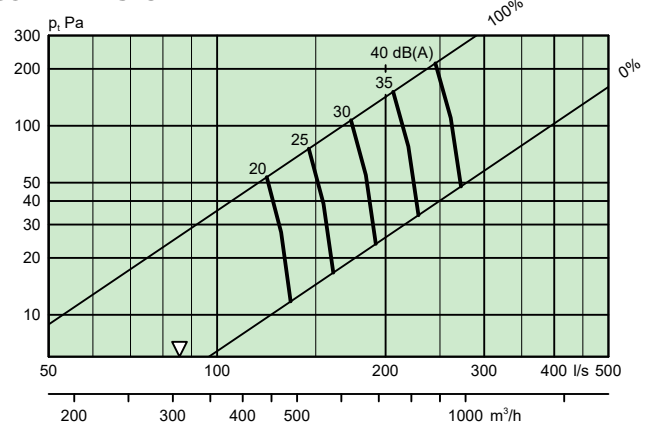
COLIBRI F 200



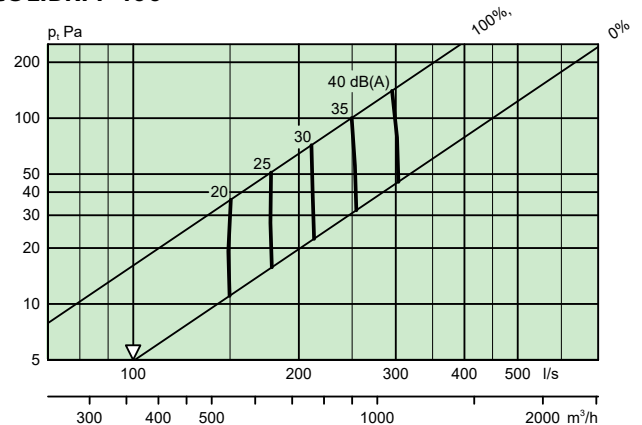
COLIBRI F 250



COLIBRI F 315



COLIBRI F 400



Dimensions and weights Specification

Size	A	B	C	D	E	Number of nozzles	Weight, kg
100	304	192	118	99	96	36	2,6
125	380	217	210	124	108	55	3,9
160	456	252	220	159	126	84	5,3
200	568	288	230	199	144	130	7,6
250	568	338	275	249	169	136	8,7
315	700	388	330	314	194	186	12,9
400	700	488	350	399	244	200	15,5

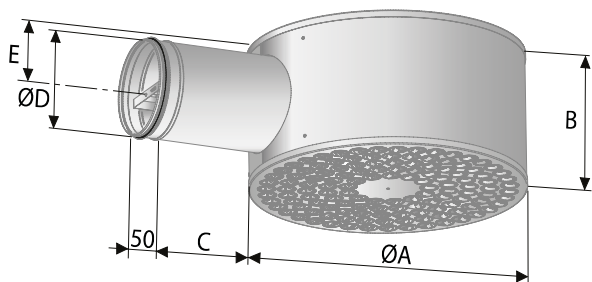


Figure 5. COLIBRI F.

Nozzle setting, example

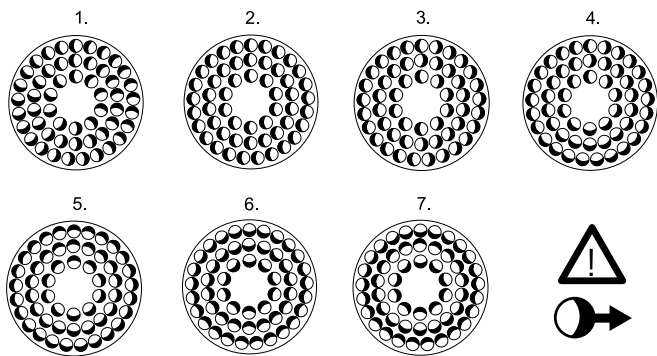


Figure 6. Nozzle settings.
NOTE: Air flow direction in figure
1. Clockwise swirl (standard)
2. 1-way
3. 2-way
4. 3-way
5. 4-way
6. VK, Vertical Concentrated
7. VD, Vertical, diffused

Product

Circular ceiling diffuser with nozzles COLIBRI F b -aaa

Version

Nom. connection dimension, mm:

Standard range

- Size: 100
- 125
- 160
- 200
- 250
- 315
- 400

Specification text

Swegon's complete circular type COLIBRI Free nozzle ceiling diffuser for visible installation in ceilings with the following functions:

- Complete round painted unit.
- 100% flexible distribution pattern
- Individually adjustable nozzles
- Removable commissioning damper with lockable setting
- Measurement function with low error of method
- Interior sound-absorbing lining with fibre-migration-proof surface layer
- In the extract air version, the perforated air distribution plate can be dismantled to reduce blockage. K-factor and sound are not affected.
- Cleanable
- Powder-painted and baked white finish, RAL 9003/NCS S 0500-N

Size: COLIBRI Fb -aaa

xx items