

Epsilon Echos+

5÷38 kW



General information

Air-Water unit with scroll compressors driven by DC inverter

Configuration

/LN: Low noise unit

/HP: Reversible heat pump

/LE /HP: Reversible condensing unit

Unique selling points

- ▶ Compressors driven by DC inverter
- ▶ Highest efficiency class
- ▶ High configurability in terms of hydronic module
- ▶ No water volume needed on the plant
- ▶ Wide power modulation range and operation limit

BlueBox 
by Swegon

INDICE

INTRODUCTION	3
TECHNICAL FEATURES	5
DESCRIPTION FOR FUNCIONTS AND ACCESSORIES	7
TECHNICAL DATA	10
TECHNICAL DATA /LE	11
ELECTRICAL DATA	12
ELECTRICAL DATA + /LE	12
DIAGRAMS CONSTANT FLOW PUMP	13
DIAGRAMS VARIABLE FLOW PUMP	13
DIAGRAMS EXCHANGER	13
COOLING CAPACITY 30Hz	16
COOLING CAPACITY 60Hz	17
COOLING CAPACITY 90Hz	18
COOLING CAPACITY 120Hz	19
RESE IN RISCALDAMENTO 30Hz	20
HEATING CAPACITY 60Hz	21
HEATING CAPACITY 90Hz	22
HEATING CAPACITY 120Hz	23
/LE COOLING CAPACITY 30Hz	24
/LE COOLING CAPACITY 60Hz	24
/LE COOLING CAPACITY 90Hz	25
/LE COOLING CAPACITY 120Hz	25
/LE HEATING CAPACITY 30Hz	26
/LE HEATING CAPACITY 30Hz	27
/LE HEATING CAPACITY 90Hz	28
/LE HEATING CAPACITY 120Hz	29
NOISE LEVELS - (90 rps)	30
NOISE LEVELS - /LN (90 rps)	30
DIMENSIONAL DRAWING	31

INTRODUCTION

Compressor driven by DC inverter

Epsilon Echos+ use brushless compressor driven by DC inverter which can vary the speed rotation according to the request of the plant.

This feature will allow to overcome the limits present with on-off compressors and will allow to obtain higher levels of COP and EER thanks to the high heat exchanges surface available during the reduced power operation for compressors.

Compressor speed can vary between about 30rps and about 110rps, for rotary compressor, or about 120rps for scroll compressors. To ensure the best efficiency of compressor, the rated conditions were declared at 90 rps for all models.

Electronic thermostatic valve

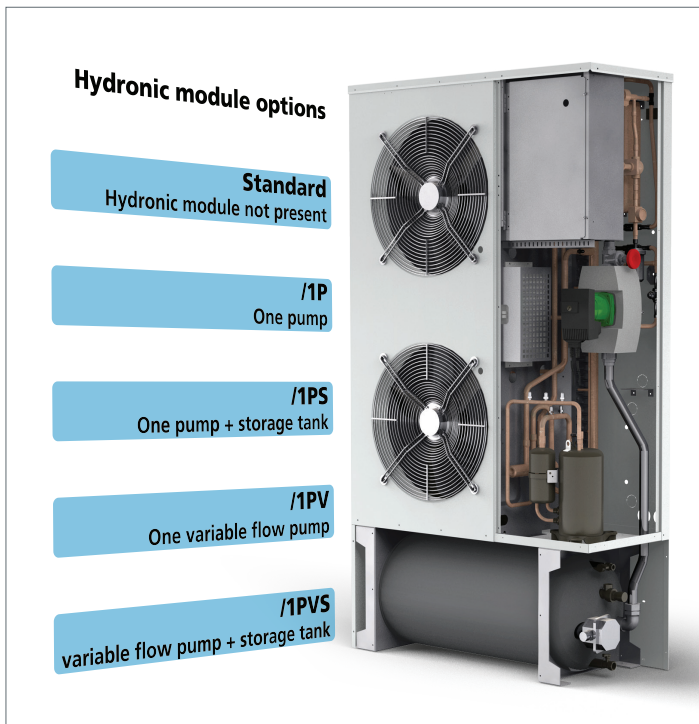
Electronic thermostatic valve is mounted inside the unit both for cooling and heat pump circuits and this feature leads to a very easy connection to the DX coil in the AHU unit.

The only physical connection necessary is for two refrigerant pipes and for the cables for control signals.

The big advantage of this solution consists in unnecessary dimensioning and installation of the expansion valve by the installer.

Hydronic modules

For the hydronic versions different kind of hydronic module are available as accessory so to meet and exceed the request of our most demanding customers.



Variable flow pumps, with brushless motors or driven by inverter, are available in place of standard pumps. These allow to obtain benefits in terms of pumping energy spent and of increased total COP and EER of the system.

In addition, working with a variable flow, allow to maintain a constant pressure on the plant. Indeed, variable flow pumps are chosen to be connected to a plant which provides 2 way valves to exclude the components or areas which do not need for heating or cooling. The speed of the pumps, and consequently the water flow, reacts to the position of the 2 way valves.

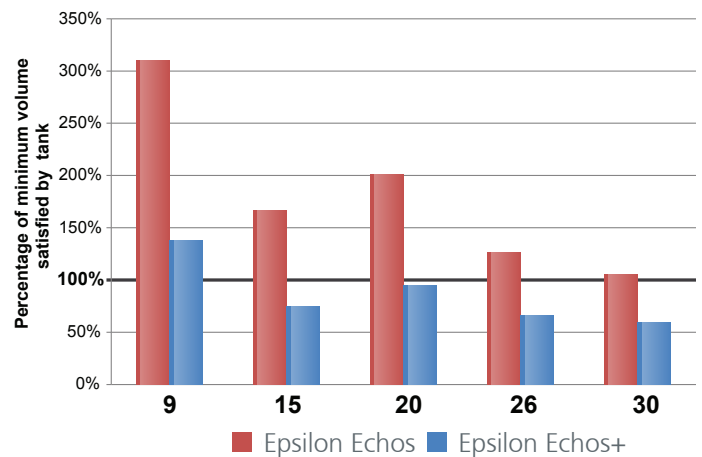
Storage tank is always available (as an option) for all sizes and configurations.

Minimum system volume canceled

Normally a minimum water volume has to be provided in the system to avoid excessive variation on water temperature during reduced load interval.

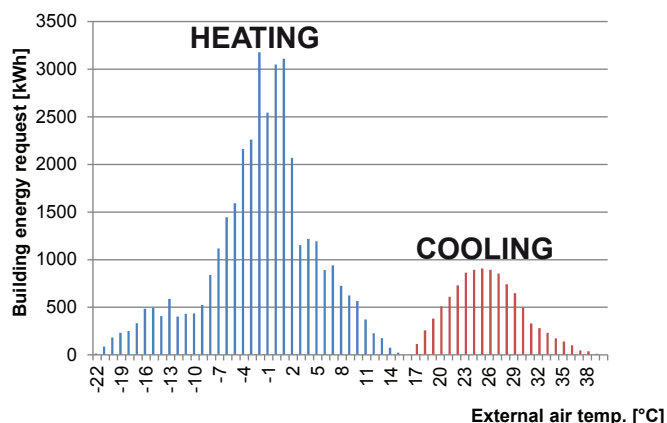
Thanks to inverter technology, Epsilon Echos+ has the possibility to reduce at minimum the power delivered by the compressor, so to reduce also at minimum the required water volume to ensure an acceptable water temperature variation.

In addition, as the diagram shows, water contained in the storage tank, provided as option for Epsilon Echos+, is always enough to ensure the comfort water temperature. This means that no other tank have to be provided in the plant by the installer.



Highest efficiency class

The use of a heat pump in A class with inverter driven compressor, combines the optimal comfort even at partial load and low operating costs per year.



For example, consider a load profile of a building as shown in the diagram above, where the thermal profiles times are based on the requirements of EN 14825 in Helsinki.

This calculation has been made by comparing high efficiency Epsilon Echos+ with different units with different efficiency classes, equipped with inverter. Epsilon Echos+ means a 2 years payback.

A	29.900 kWh	Epsilon Echos+ /HP 30
B	34.390 kWh	+680 €/year
C	37.380 kWh	+1.130 €/year
D	41.050 kWh	+1.670 €/year

Connection with a DX coil

Epsilon Echos+/LE has the possibility to be managed from the on/off signal a 0-10V signal and the commutation summer/winter from a AHU. Through the 0-10V signal the AHU can handle the compressor modulations due the capacity needs.

Units /LE or /LE/HP is supply with a refrigerant charge to allow the connection to the direct expansion coil in a range of 10 m within the machine.

TECHNICAL FEATURES

STRUCTURE

In galvanized sheet steel and painted with polyester powders RAL 7035 at 180 °C, which confer high resistance to atmospheric agents. The panels can be removed easily to allow total access to the internal components.

COMPRESSORS

The compressors are "twin rotary" or "scroll" with inverter controlled brushless DC motor, operating with R410A and power supply of 400-460V/3ph/50-60Hz. The compressors are provided with integrated thermal overload protection and acoustic hood.

The compressor motor control driver is provided with integral electronic protection against overtemperature, overcurrent, over or under-voltage with absence of one or more phases.

The electronic control of the inverter is provided with automatic soft-start system and continuous control of the compressor curve to prevent and correct its use beyond the maximum allowed limits.

FANS

Helical fans coupled directly to the 6-pole electric motor with external rotor, IP 54 degree of protection. Each fan has shaped nozzles and is fitted with protection grille in compliance with UNI EN 294.

SOURCE SIDE EXCHANGER

This comprises a battery with copper pipes and aluminum gills with large exchange surface. A metal mesh protects the finned core.

USER SIDE EXCHANGER

Exchanger with AISI 316 stainless steel braze-welded plates, insulated with a closed cell foam coating. The heat exchanger has a temperature probe for anti-freeze protection and a blade flow meter as per standard.

Not present in LE version.

REFRIGERANT CIRCUIT

BASIC VERSION

Includes: charge connection on the liquid and intake lines, liquid sight-glass, filter/dryer, electronic thermostatic valve, liquid line solenoid valve, pressure transducer, high pressure safety pressure switch and safety valve (only for /HP version).

/LE VERSION

Includes: charge connection on the liquid and intake lines, liquid sight-glass, filter/dryer, electronic thermostatic valve, liquid line solenoid valve, pressure transducer, high pressure safety pressure switch, safety valve (only for /LE/HP version), liquid receiver, delivery oil separator, valves (split type) on suction and liquid line.

ELECTRIC CONTROL BOARD

With general isolating device, protection of the power and auxiliary circuits. Microprocessor management of the unit with main functions shown on display.

The electric control board is made up from:

- Main isolating switch and automatic circuit breakers protecting the auxiliary and power circuits
- Condensation/evaporation control with fan rev. regulator
- Pump relay or motor protector and contactor (for units with hydronic module)
- Voltage-free contacts for general alarm
- Microprocessor for control

The controller allow the following features:

- Water temperature regulation with inlet control
- Anti-freeze protection
- Compressor timing
- High pressure pre-alarm management
- Alarm signals
- Alarms reset
- Remote ON-OFF from digital input
- Summer/Winter selection from digital input
- 0-10V or 4-20mA for external management of compressor modulation (only for /LE and /LE/HP versions)

Display of controller allow the visualization of following parameters:

- Temperature of the outlet water
- Condensation temperature
- Set temperature and differentials set-point
- Description of the alarms
- Compressor and pump timer functioning

CHECKS AND SAFETY DEVICES

- Functioning probe for detecting the temperature of the inlet water
- Antifreeze probe at evaporator outlet connected to anti-freeze alarm (automatic reset, with limited thresholds)
- High pressure switch (with manual reset)
- Mechanical flow-switch supplied as kit per standard
- Condensation/evaporation pressure control with rev. regulator
- High-pressure safety valve (only for /HP and /LE/HP versions)
- Compressor over-heating protection (managed directly by driver).

INSPECTION

The units are inspected in the factory and supplied complete with oil and refrigerant fluid.

VERSIONS

/LN: Low noise unit

As well as the components of the basic version, the unit has a completely insulated compressors compartment. Sound-absorbing material is used along with sound impeding material.

/HP: reversible heat pump

The unit includes, in addition to the components of the basic version, a 4-way reversing valve, liquid receiver and check valves.

/LE /HP: reversible condensing unit

The unit includes, in addition to the components of the /LE version, a 4-way reversing valve, liquid receiver and check valves.

HYDRAULIC MODULE OPTIONS

/1P: unit with pump

This unit is equipped with

- a circulator for model 9 and 15
- a pump for model 20, 26 and 30

For all models the hydronic module includes an expansion vessel, a water circuit drainage valve and a safety valve set at 6 bars (maximum allowable operating pressure).

/1PS: unit with pump and tank

In addition to the components of the /1P version, the unit includes an insulated storage tank.

/1PV: unit with variable flow pump

This unit is equipped with

- a A class EC circulator with variable flow for model 9 and 15
- a pump with integrated inverter for model 20, 26 and 30

For all models the hydronic module includes an expansion vessel, a water circuit drainage valve and a safety valve set at 6 bars (maximum allowable operating pressure).

If the unit is connected to a system equipped with valves two-way, the pump will vary its flow rate so as to maintain a constant pressure head. In this case the customer will have to provide a bypass or a 3-way valve suitably positioned to ensure a minimum flow rate equal to 50% of nominal flow.

/1PVS: unit with pump and tank

In addition to the components of the /1PV version, the unit includes an insulated storage tank.

STANDARD EQUIPMENT

- Main isolating switch
- Coil protection mesh
- Microprocessor control
- Condensation control (and evaporation control, for the /HP and /LE/HP versions) with fan rev. regulator
- Liquid line solenoid valve
- Electronic thermostatic valve
- Flow switch (provided as kit)
- Certification in accordance with Directive 97/23 EEC (PED)
- Summer/Winter selection from digital input

- Remote ON/OFF from digital input
- 0-10V or 4-20mA for external management of compressor modulation (only for /LE and /LE/HP versions)
- Condensate drain pan (standard for model 9 and 15)
- Phase monitor

ACCESSORIES

REFRIGERANT CIRCUIT ACCESSORIES

- Liquid line valve
- Brine Kit

HYDRAULIC CIRCUIT ACCESSORIES

- Filling system with manometer
- Anti-freeze heater
- Electric integration heater (only for units /HP/1PS and /HP/1PVS)
- Water filter

ELECTRIC ACCESSORIES

- Non standard Power supply
- RS485 serial interface
- Remote user terminal
- Single voltage-free operating contacts
- Compensation of the set-point depending on the external air temperature
- Unit shutdown due to temperatures lower than the functioning limit
- Maximum and minimum voltage relay

VARIOUS ACCESSORIES

- Rubber anti-vibration mounts
- Condensing coil in pre-painted aluminum
- Condensing coil treated with anti-corrosion paint
- Wooden cage packaging
- Condensate drain pan

DESCRIPTION FOR FUNCTIONS AND ACCESSORIES

Condensation/evaporation control with fan rev. regulator (standard)

The microprocessor control monitors all the operating parameters of the unit and constantly regulates the speed of the fans by means of a rev. regulator to optimize the operating conditions and efficiency of the unit.

As a result, the unit also runs much more quietly. The control device typically modulates the speed of the fans at night and during half-season. The machine therefore minimizes fan speed and the level of noise at every given opportunity.

Remote ON/OFF from digital input (standard)

All the units come with this function as standard. It consists of a remote contact for turning the machine on and off by means of a signal that can be taken inside the building by a Building Management System (BMS).

Summer/winter selection from digital input (standard)

This function is standard for all heat pumps. When you switch on the unit, you need to set either heat pump or chiller mode. The remote contact makes it possible to change the work mode even inside the building and without direct access to the microprocessor control.

Electronic thermostatic valve (standard)

This accessory is recommended for units that have to tolerate highly variable refrigeration load or variable working conditions, for example when managing both air conditioning and the production of water at a high temperature. Use of the electronic thermostatic valve makes it possible to:

- maximise the heat exchange to the evaporator
- minimise time of response to variations in load and working conditions
- optimise the regulation of over-heating
- guarantee maximum energy efficiency

Standard also for /LE and /LE/HP units.

Brine Kit

This accessory is required when the outlet temperature of the evaporator is within the range of +3°C and -8°C. It consists of extra thermal insulation of the exchanger and tubes, specific calibration of the low pressure gauges and anti-freeze alarm, and testing of the size of the mechanical thermostatic valve.

Filling system with manometer

This accessory enables automatic loading of the hydraulic system and correct adjustment of the working pressure shown on the manometer, and maintains the level of pressure in the hydraulic system refilling the system with water when necessary.

Anti-freeze heater

These heaters are fitted on the exchanger, pump and tank (depending on machine configuration) to prevent damage to the hydraulic components due to the formation of ice when the machine is out of use.

The control device monitors the outlet probe of the exchanger (even when the unit is in standby) and when this registers a water temperature of 5°C or less (or 2°C below the set point temperature, with a differential of 1°C) it triggers the antifreeze heater. When the temperature of the outlet water reaches 4°C (or 3°C below the set-point), it also triggers the anti-freeze alarm that stops the compressor without however disabling the heaters.

Integration electrical heater

This is an electric heater installed in the inertia storage tank of the ST 1PS module that helps the heat pump reach the setpoint temperature when the power supplied by the machine is not sufficient for the load.

The accessory is available only for version /HP /ST 1PS

RS485 serial interface

The increasing use of home automation and BMS (Building Management System) systems has led to the need for a single comprehensive supervision system for all the various components. The unit can, therefore, be equipped with a serial board that permits perfect integration of the machine within the "building-system" with MODBUS or CAREL communication protocols

Remote user terminal

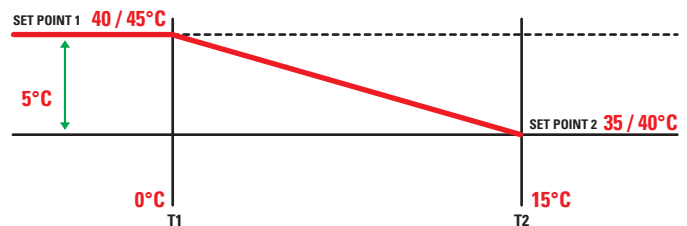
Intended for a professional user, this accessory consists of a faithful reproduction of the control panel at which you can fully configure the unit and view its parameters on the display screen. The insertion of passwords is required to access the parameters at different levels.

Compensation of the set-point depending on the external air temperature

Units equipped with this microprocessor control accessory can compensate the set point according to external air temperature. The compensation can be positive or negative: with positive compensation, the set-point increases in relation to the external air temperature, while with negative compensation the set-point decreases in relation to the external air temperature.

Only winter set point can be compensated.

Unless specified otherwise in the order, standard programming involves negative compensation as shown in the diagrams below. All the settings can be modified directly by the control system.



Unit shutdown due to temperatures lower than the functioning limit

This accessory is available for the /HP and LE/HP units. It stops the compressors of the unit when this is in heat pump mode and the external air temperature falls below a minimum set temperature: the controller stops the compressors before the unit triggers the low pressure alarm, avoiding the need to manually restart the machine.

This accessory is particularly useful when the heat pump is installed in an area where the external air temperature is almost bound to fall below the minimum temperature threshold (in accordance with the set-point).

When the external air temperature returns above the set temperature threshold, the unit restarts automatically without the need for any manual intervention.

For units with integrated pump, the latter is kept running to prevent the formation of ice and to ensure correct operation of the temperature probes and anti-freeze safety devices.

The shutdown temperature has to be configured in relation to the set-point temperature and the operating restrictions of the machine.

If not specified otherwise in the order, the default settings of the unit are:

- Summer set-point at 12°C for the return temperature with negative summer compensation
- Winter set-point set at 40°C for the return temperature
- Shutdown of the unit when the external air temperature
- Falls below -20°C

It is possible to configure a shutdown temperature other than the default one providing it is compatible with the unit's operating restrictions.

Maximum and minimum voltage relay

This device monitors the supply voltage of the unit to ensure it remains within a permissible range. When the voltage goes outside the range, the device stops the unit to avoid damage to the electric motors.

The device also monitors phase sequence.

Single voltage-free operating contacts

The terminal block in the control box is fitted with voltage-free contacts that receive the signal indicating the compressor works.

TECHNICAL DATA

Unit size			9	15	20	26	30
Epsilon Echos+							
Cooling (A35°C; W7°C) (Gross values)							
Nominal cooling capacity	(1)	kW	6,2	10,8	16,1	22,1	26,2
Total power input for cooling	(1), (2)	kW	1,8	3,2	5,0	6,8	8,1
EER	(1)		3,34	3,37	3,23	3,26	3,25
ESEER			3,75	3,95	3,94	3,29	3,76
Efficiency class			A	A	A	A	A
Min/Max cooling capacity		kW	2,1 / 7,7	3,9 / 13	5,8 / 19,6	8,3 / 26,3	10,5 / 30,1
Epsilon Echos+/HP							
Cooling (A35°C; W7°C) (EN 14511 values)							
Nominal cooling capacity	(1),(8)	kW	6,1	10,7	16,0	21,9	25,9
EER	(1),(8)		3,20	3,23	3,12	3,11	3,12
ESEER	(8)		3,45	3,62	3,66	3,00	3,46
Efficiency class			A	A	A	A	A
Min/Max cooling capacity		kW	2,1 / 7,6	3,9 / 12,8	5,8 / 19,5	8,2 / 26,1	10,4 / 29,9
Heating (A7°C; W45°C) (Gross values)							
Nominal heating capacity	(3)	kW	6,8	12,0	17,9	23,7	28,3
Total power input for heating	(2),(3)	kW	1,9	3,5	5,2	6,7	8,0
COP	(3)		3,54	3,48	3,42	3,55	3,56
Efficiency class			A	A	A	A	A
Min/Max heating capacity		kW	2,3 / 8,6	4,2 / 14,8	6,3 / 22,6	8,4 / 28,3	10,8 / 35,2
Heating (A7°C; W45°C) (EN 14511 values)							
Nominal heating capacity	(3),(8)	kW	6,9	12,1	18,1	23,9	28,6
COP	(3),(8)		3,46	3,40	3,35	3,45	3,47
Efficiency class			A	A	A	A	A
Min/Max heating capacity		kW	2,3 / 8,7	4,3 / 14,9	6,4 / 22,7	8,6 / 28,6	10,9 / 35,5
Compressors							
Type			Twin rotary	Twin rotary	Scroll	Scroll	Scroll
Quantity/Refrigerant circuits		n° / n°	1 / 1	1 / 1	1 / 1	1 / 1	1 / 1
Fans							
Type			Axial	Axial	Axial	Axial	Axial
Quantity		n°	2	2	2	2	2
Air flow		m3/h	8.000	7.600	13.200	19.000	17.800
User side exchanger							
Type			Plate	Plate	Plate	Plate	Plate
Quantity			1	1	1	1	1
Water flow rate		l/h	1.066	1.850	2.774	3.802	4.499
Pressure drop		kPa	31	39	37	65	56
Hydraulic module							
Constant flow pump model			P1	P1	P2	P3	P3
Available constant flow pump pressure		kPa	86	66	161	135	126
Variable flow pump model			Pi1	Pi1	Pi2	Pi3	Pi3
Available variable flow pump pressure		kPa	97	75	268	221	206
Storage tank capacity		l	70	70	130	130	130
Sound level							
Sound power value (standard unit)	(4)	dB(A)	70	72	75	75	76
Sound pressure value (standard unit)	(5)	dB(A)	39	41	44	44	45
Sound power value (LN version)	(4)	dB(A)	67	69	72	73	74
Sound pressure value (LN version)	(5)	dB(A)	36	38	41	42	43
Basic unit size and weights							
Width		mm	925	925	1105	1305	1305
Depth		mm	375	375	505	505	505
Height		mm	1350	1350	1385	1585	1585
Operating weight		kg	154	157	227	272	278

(1) Ambient air temperature 35°C; evaporator inlet/outlet water temperature 12-7 °C; compressor frequency 90 rps

(2) Total power input is sum of compressors and fans power input

(3) Ambient air temperature 7°C BS, 87% UR; condenser inlet/outlet water temperature 40-45 °C; compressor frequency 90 rps

(4) Sound power values calculate in compliance with ISO 3744; compressor frequency 90 rps

(5) Sound pressure values measured at 10 meters from the unit in free field conditions and directional factor Q=2; compressor frequency 90 rps

(8) Values in compliance with EN 14511-3:2011

This datasheet gives the characteristic data of the basic and standard versions of the series; for details refer to the specific documentation.

TECHNICAL DATA /LE

Unit size			9	15	20	26	30
Epsilon Echos+/LE							
Cooling (A35°C; E7,5°C)							
Nominal cooling capacity	(1)	kW	6,9	12,1	18,2	25,0	29,6
Cooling power input	(1), (2)	kW	1,9	3,2	5,1	6,9	8,2
EER	(1), (2)		3,69	3,74	3,59	3,63	3,61
Min/Max cooling capacity		kW	2,2 / 8,7	4,1 / 14,8	6,2 / 23,2	8,7 / 31,7	11,3 / 37,7
Epsilon Echos+/LE/HP							
Cooling (A35°C; E7,5°C)							
Nominal cooling capacity	(1)	kW	6,9	12,1	18,2	25,0	29,6
Cooling power input	(1), (2)	kW	1,9	3,2	5,1	6,9	8,2
EER	(1), (2)		3,69	3,74	3,59	3,63	3,61
Min/Max cooling capacity		kW	2,2 / 8,7	4,1 / 14,8	6,2 / 23,2	8,7 / 31,7	11,3 / 37,7
Heating (A7°C; C40°C)							
Nominal heating capacity	(3)	kW	7,0	12,5	18,7	24,4	28,9
Heating power	(3), (2)	kW	1,76	2,95	4,68	6,20	7,44
COP	(3), (2)		3,98	4,22	3,99	3,94	3,88
Min/Max heating capacity		kW	2,4 / 8,9	4,4 / 15,1	6,5 / 24,1	8,7 / 31,7	11,1 / 37,1
Compressors							
Type			Twin rotary	Twin rotary	Scroll	Scroll	Scroll
Quantity/Refrigerant circuits		n° / n°	1 / 1	1 / 1	1 / 1	1 / 1	1 / 1
Fans							
Type			Axial	Axial	Axial	Axial	Axial
Quantity		n°	2	2	2	2	2
Air flow		m3/h	8.000	7.600	13.200	19.000	17.800
Sound level							
Sound power value (standard unit)	(4)	dB(A)	70	72	75	75	76
Sound pressure value (standard unit)	(5)	dB(A)	39	41	44	44	45
Sound power value (LN version)	(4)	dB(A)	67	69	72	73	74
Sound pressure value (LN version)	(5)	dB(A)	36	38	41	42	43
Basic unit size and weights							
Width		mm	925	925	1105	1305	1305
Depth		mm	375	375	505	505	505
Height		mm	1350	1350	1385	1585	1585
Operating weight		kg	146	149	217	262	268

(1) Ambient air temperature 35°C; evaporating temperature 7.5°C; compressor frequency 90 rps

(2) Total power input is sum of compressors and fans power input

(3) Ambient air temperature 7°C BS, 87% UR; condensing temperature 40°C; compressor frequency 90 rps

(4) Sound power values calculate in compliance with ISO 3744; compressor frequency 90 rps

(5) Sound pressure values measured at 10 meters from the unit in free field conditions and directional factor Q=2; compressor frequency 90 rps

(8) Values in compliance with EN 14511-3:2011

This datasheet gives the characteristic data of the basic and standard versions of the series; for details refer to the specific documentation.

ELECTRICAL DATA

Unit size			9	15	20	26	30
Max. absorbed power	(1),(3)	kW	2,9 (3,1)	5,0 (5,1)	8,2 (8,7)	11,2 (11,7)	13,1 (13,7)
Max. absorbed current	(2),(3)	A	21,6 (22,8)	27,4 (28,6)	18,0 (20,8)	23,0 (24,6)	27,5 (29,1)
Fan rated power		n° x kW	2 x 0,2	2 x 0,2	2 x 0,3	2 x 0,6	2 x 0,6
Fan rated current		n° x A	0,75	0,75	1,7	2,5	2,5
Pump rated power		kW	0,18	0,18	0,45	0,55	0,55
Pump rated current		A	1,15	1,15	2,77	1,58	1,58
Pump rated power		kW	0,31	0,31	0,55	0,75	0,75
Pump rated current		A	1,37	1,37	3,5	4,9	4,9
Electric power supply standard		V/ph/Hz	230/1~/50	400/3N~/50	400/3N~/50	400/3N~/50	400/3N~/50
Electric power supply optional	(4)	V/ph/Hz	400/3N~/50	230/1~/50	-	-	-

(1) Mains power supply to allow unit operation

(2) Maximum current before safety cut-outs stop the unit. This value is never exceeded and must be used to size the electrical supply cables and relevant safety devices (refer to electrical wiring diagram supplied with the unit)

(3) The values in brackets refer to units with constant flow pump.

(4) To require in the order

ELECTRICAL DATA + /LE

Unit size			9	15	20	26	30
Max. absorbed power	(1)	kW	3	5	8	11	13
Max. absorbed current	(2)	A	8	13	17	21	25
Fan rated power		n° x kW	2 x 0,2	2 x 0,2	2 x 0,3	2 x 0,6	2 x 0,6
Fan rated current		n° x A	2 x 0,75	2 x 0,75	2 x 1,70	2 x 2,50	2 x 2,50
Electric power supply standard		V/ph/Hz	230/1~/50	400/3N~/50	400/3N~/50	400/3N~/50	400/3N~/50
Electric power supply optional	(5)	V/ph/Hz	400/3N~/50	230/1~/50	-	-	-

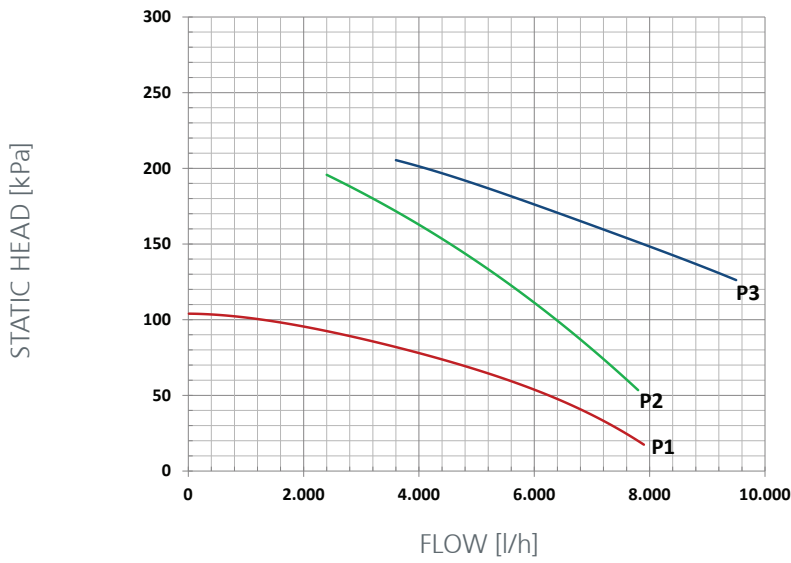
(1) Mains power supply to allow unit operation

(2) Maximum current before safety cut-outs stop the unit. This value is never exceeded and must be used to size the electrical supply cables and relevant safety devices (refer to electrical wiring diagram supplied with the unit)

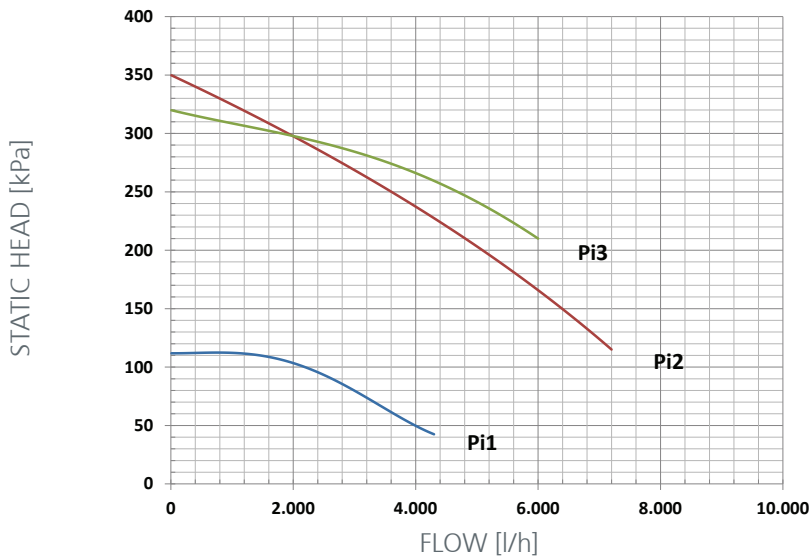
(4) Maximum starting current calculated considering the bigger size compressor starting current plus the maximum absorbed power of the other electrical devices (pumps, fans)

(5) To require in the order

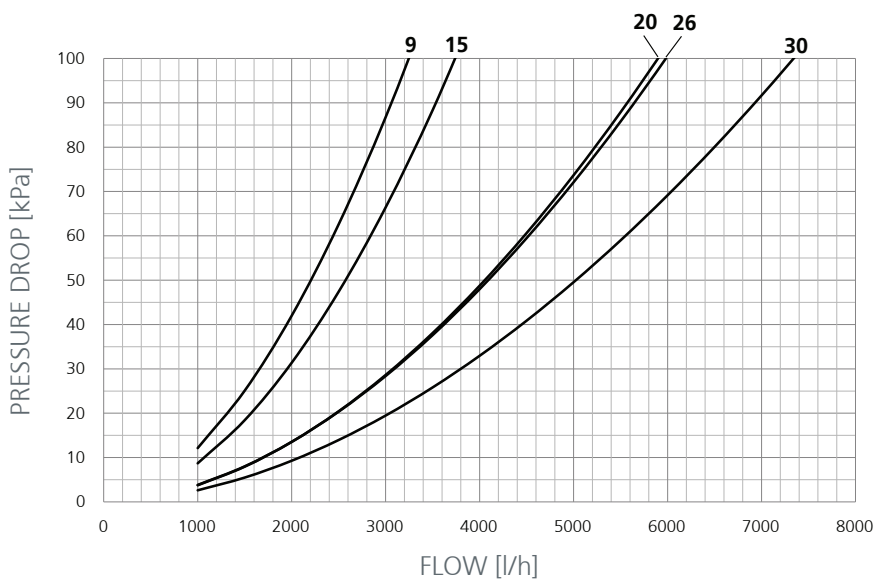
DIAGRAMS CONSTANT FLOW PUMP



DIAGRAMS VARIABLE FLOW PUMP

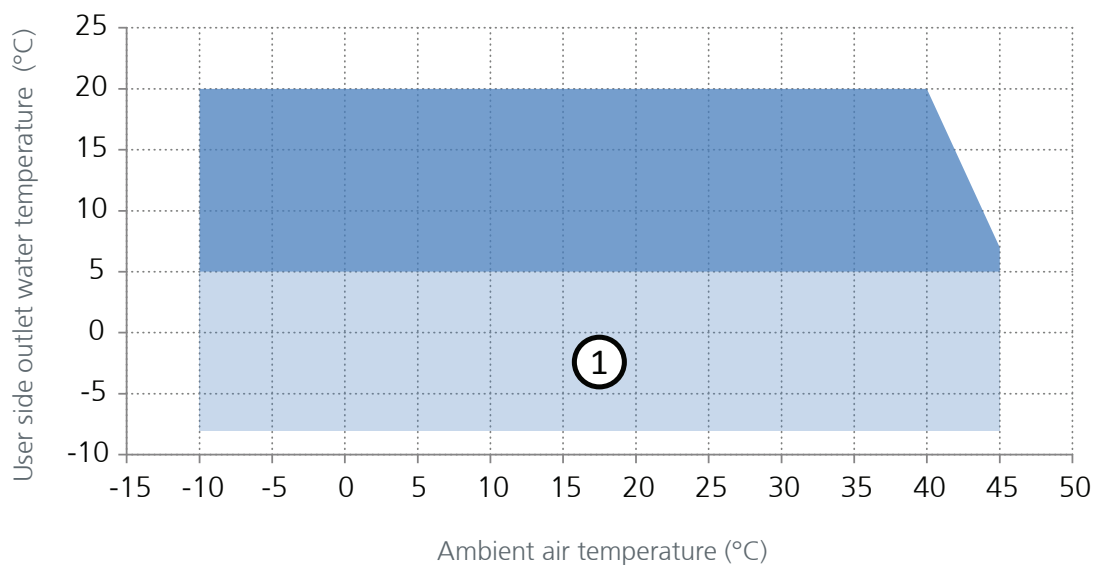


DIAGRAMS EXCHANGER

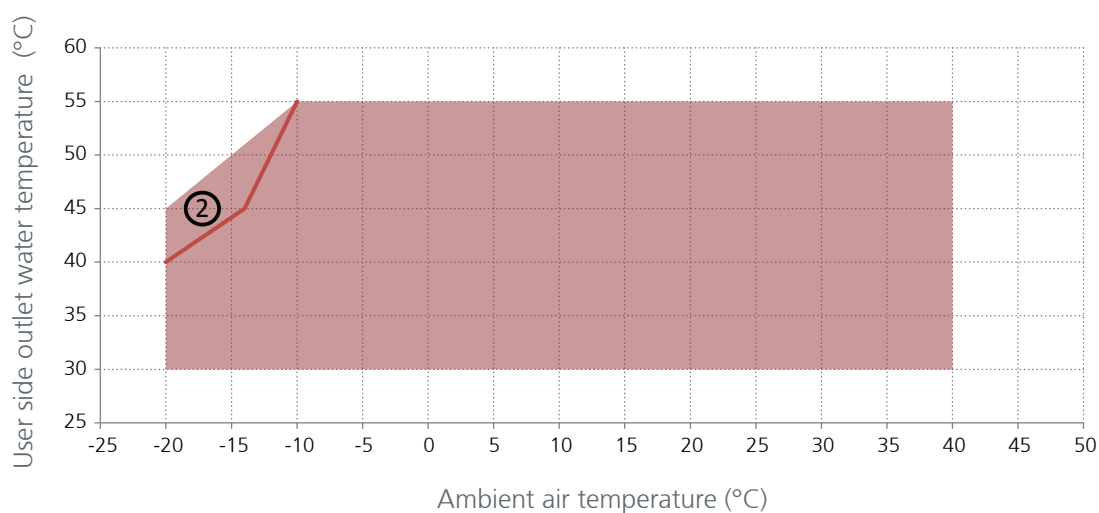


OPERATING LIMITS

COOLING



HEATING



NOTE:

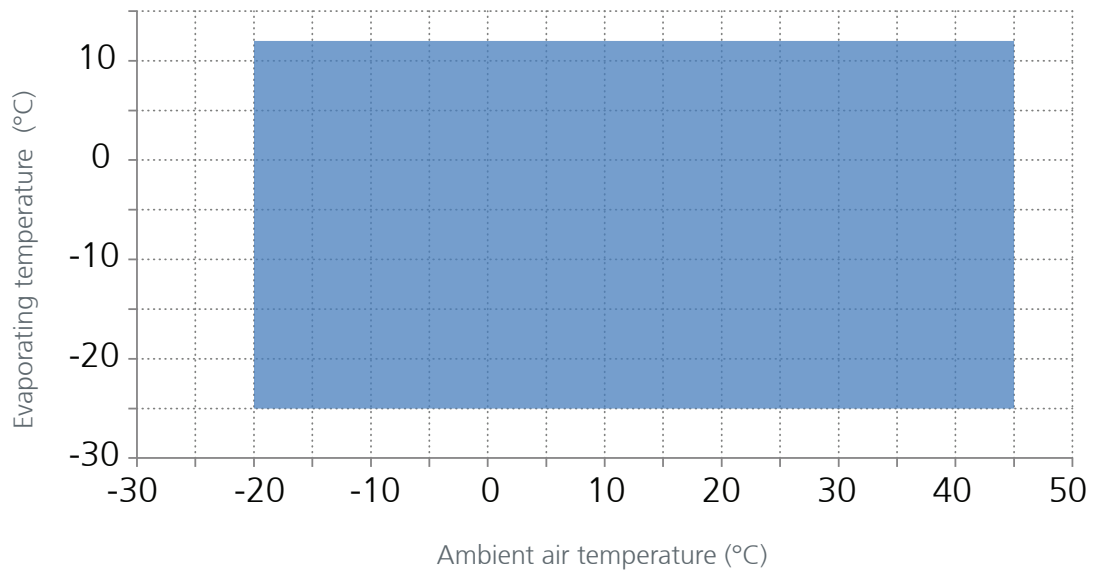
The thermal head at the user side heat exchanger must be between 4 °C and 7 °C (sized to 5 °C)

① : in this area the unit can operate only with glycol water in the evaporator side

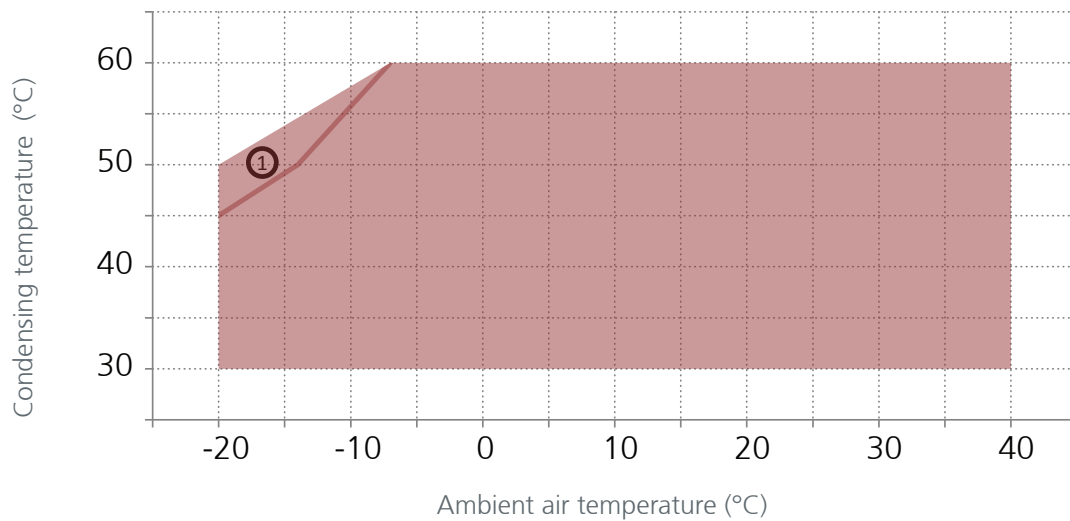
② : in this area the compressor may be modulated to control the exhaust temperature

OPERATING LIMITS /LE

COOLING



HEATING



NOTE:
 Limit at 90 rps
 ① : in this area the compressor may be modulated to control the exhaust temperature

COOLING CAPACITY 30Hz

Model	T _a	Ambient air temperature [°C]									
	[°C]	25		30		35		40		45	
		P _f	P _{comp}	P _f	P _{comp}	P _f	P _{comp}	P _f	P _{comp}	P _f	P _{comp}
9	5	1,6	0,4	1,5	0,5	1,5	0,5	1,4	0,6	1,3	0,6
	6	1,7	0,4	1,6	0,5	1,5	0,5	1,4	0,6	1,3	0,6
	7	1,7	0,4	1,6	0,5	1,6	0,5	1,5	0,6	1,4	0,6
	8	1,8	0,4	1,7	0,5	1,6	0,5	1,5	0,6	*	*
	9	1,8	0,4	1,7	0,5	1,6	0,5	1,6	0,6	*	*
	10	1,9	0,4	1,8	0,5	1,7	0,5	1,6	0,6	*	*
	13	2,1	0,4	2,0	0,5	1,9	0,5	1,8	0,6	*	*
	14	2,1	0,4	2,0	0,5	1,9	0,5	1,8	0,6	*	*
	15	2,2	0,4	2,1	0,5	2,0	0,5	1,9	0,6	*	*
	16	2,3	0,4	2,2	0,5	2,0	0,5	1,9	0,6	*	*
17	2,3	0,4	2,2	0,5	2,1	0,5	2,0	0,6	*	*	
18	2,4	0,4	2,3	0,5	2,2	0,5	2,0	0,6	*	*	
15	5	3,5	0,8	3,1	0,8	2,9	0,9	2,8	1,0	2,7	1,1
	6	3,5	0,8	3,2	0,8	3,0	0,9	2,9	1,0	2,8	1,1
	7	3,6	0,8	3,3	0,8	3,1	0,9	3,0	1,0	2,9	1,1
	8	3,7	0,8	3,4	0,8	3,2	0,9	3,1	1,0	*	*
	9	3,8	0,8	3,5	0,8	3,3	0,9	3,2	1,0	*	*
	10	3,9	0,8	3,6	0,8	3,4	0,9	3,3	1,0	*	*
	13	4,2	0,8	3,9	0,8	3,7	0,9	3,6	1,1	*	*
	14	4,3	0,8	4,0	0,8	3,8	0,9	3,7	1,1	*	*
	15	4,4	0,8	4,1	0,8	3,9	1,0	3,8	1,1	*	*
	16	4,5	0,8	4,2	0,8	4,0	1,0	3,9	1,1	*	*
17	4,6	0,7	4,3	0,8	4,2	1,0	4,0	1,1	*	*	
18	4,7	0,7	4,4	0,8	4,3	1,0	4,1	1,1	*	*	
20	5	5,2	1,1	4,9	1,2	4,6	1,3	4,3	1,5	3,9	1,7
	6	5,3	1,1	5,1	1,2	4,7	1,4	4,4	1,5	4,1	1,7
	7	5,5	1,1	5,2	1,2	4,9	1,4	4,6	1,5	4,2	1,7
	8	5,7	1,1	5,4	1,2	5,0	1,4	4,7	1,5	*	*
	9	5,8	1,1	5,5	1,2	5,2	1,4	4,8	1,5	*	*
	10	6,0	1,1	5,7	1,2	5,4	1,4	5,0	1,5	*	*
	13	6,6	1,1	6,2	1,2	5,9	1,4	5,5	1,5	*	*
	14	6,8	1,1	6,4	1,2	6,1	1,4	5,6	1,5	*	*
	15	7,0	1,1	6,6	1,2	6,2	1,3	5,8	1,5	*	*
	16	7,2	1,1	6,8	1,2	6,4	1,3	6,0	1,5	*	*
17	*	*	7,0	1,2	6,6	1,3	6,2	1,5	*	*	
18	*	*	7,2	1,2	6,8	1,3	6,4	1,5	*	*	
26	5	6,7	1,4	6,3	1,5	5,9	1,7	5,5	1,9	5,0	2,1
	6	6,9	1,4	6,5	1,5	6,1	1,7	5,6	1,9	5,2	2,1
	7	7,1	1,4	6,7	1,5	6,3	1,7	5,8	1,9	5,3	2,1
	8	7,3	1,4	6,9	1,5	6,5	1,7	6,0	1,9	*	*
	9	7,5	1,4	7,1	1,6	6,7	1,7	6,2	1,9	*	*
	10	7,8	1,4	7,4	1,6	6,9	1,7	6,4	1,9	*	*
	13	8,5	1,4	8,0	1,6	7,5	1,8	7,0	2,0	*	*
	14	8,8	1,4	8,3	1,6	7,8	1,8	7,2	2,0	*	*
	15	9,0	1,4	8,5	1,6	8,0	1,8	7,5	2,0	*	*
	16	9,3	1,4	8,8	1,6	8,3	1,8	7,7	2,0	*	*
17	9,6	1,4	9,1	1,6	8,5	1,8	7,9	2,0	*	*	
18	9,8	1,4	9,3	1,6	8,8	1,8	8,2	2,0	*	*	
30	5	8,6	1,8	8,2	2,0	7,8	2,2	7,3	2,4	6,8	2,6
	6	8,9	1,8	8,5	2,0	8,1	2,2	7,6	2,4	7,0	2,7
	7	9,2	1,8	8,8	2,0	8,3	2,2	7,8	2,4	7,3	2,7
	8	9,5	1,8	9,1	2,0	8,6	2,2	8,1	2,4	*	*
	9	9,8	1,8	9,3	2,0	8,8	2,2	8,3	2,4	*	*
	10	10,1	1,8	9,6	2,0	9,1	2,2	8,6	2,5	*	*
	13	11,0	1,8	10,5	2,0	10,0	2,3	9,4	2,5	*	*
	14	11,3	1,8	10,8	2,1	10,3	2,3	9,6	2,5	*	*
	15	11,7	1,8	11,1	2,1	10,6	2,3	9,9	2,5	*	*
	16	12,0	1,8	11,5	2,1	10,9	2,3	10,2	2,6	*	*
17	12,3	1,9	11,8	2,1	11,2	2,3	10,5	2,6	*	*	
18	12,7	1,9	12,1	2,1	11,5	2,3	10,8	2,6	*	*	

P_f: Cooling capacity [kW]P_{comp}: Total power absorbed by compressor [kW]T_a: Outlet water temperature [°C]

COOLING CAPACITY 60Hz

Model	T _a [°C]	Ambient air temperature [°C]									
		25		30		35		40		45	
		P _f	P _{comp}	P _f	P _{comp}	P _f	P _{comp}	P _f	P _{comp}	P _f	P _{comp}
9	5	4,3	0,8	4,1	0,8	3,9	0,9	3,6	1,0	3,4	1,1
	6	4,5	0,8	4,2	0,8	4,0	0,9	3,8	1,0	3,5	1,1
	7	4,6	0,7	4,4	0,8	4,1	0,9	3,9	1,0	3,7	1,1
	8	4,8	0,7	4,5	0,8	4,3	0,9	4,0	1,0	*	*
	9	4,9	0,7	4,7	0,8	4,4	0,9	4,1	1,0	*	*
	10	5,1	0,7	4,8	0,8	4,5	0,9	4,3	1,0	*	*
	13	5,6	0,7	5,3	0,8	5,0	0,9	4,7	1,0	*	*
	14	5,7	0,7	5,4	0,8	5,1	0,9	4,9	1,0	*	*
	15	5,9	0,7	5,6	0,8	5,3	0,9	5,0	1,0	*	*
	16	6,1	0,6	5,8	0,8	5,5	0,9	5,2	1,0	*	*
17	6,3	0,6	6,0	0,7	5,7	0,9	5,3	1,0	*	*	
18	6,5	0,6	6,2	0,7	5,8	0,9	5,5	1,0	*	*	
15	5	9,2	1,5	8,0	1,6	7,2	1,7	6,8	1,9	6,6	2,1
	6	9,5	1,5	8,2	1,6	7,5	1,7	7,0	1,9	6,8	2,1
	7	9,7	1,5	8,5	1,6	7,7	1,7	7,3	1,9	7,0	2,1
	8	9,9	1,5	8,7	1,5	7,9	1,7	7,5	1,9	*	*
	9	10,1	1,5	8,9	1,5	8,2	1,7	7,8	1,9	*	*
	10	10,3	1,5	9,2	1,5	8,4	1,7	8,0	1,9	*	*
	13	11,0	1,4	9,9	1,5	9,2	1,7	8,8	1,9	*	*
	14	11,3	1,4	10,2	1,5	9,4	1,7	9,0	1,9	*	*
	15	11,5	1,4	10,4	1,5	9,7	1,7	9,3	1,9	*	*
	16	11,8	1,4	10,7	1,5	10,0	1,7	9,6	1,9	*	*
17	12,1	1,4	11,0	1,5	10,3	1,7	9,9	1,9	*	*	
18	12,3	1,4	11,3	1,5	10,6	1,7	10,2	1,9	*	*	
20	5	12,0	2,1	11,4	2,2	10,8	2,5	10,1	2,7	9,3	3,0
	6	12,4	2,1	11,8	2,2	11,1	2,5	10,4	2,7	9,6	3,0
	7	12,8	2,1	12,2	2,2	11,5	2,5	10,7	2,7	9,9	3,0
	8	13,2	2,1	12,6	2,2	11,9	2,5	11,1	2,7	*	*
	9	13,6	2,0	13,0	2,2	12,2	2,5	11,5	2,7	*	*
	10	14,0	2,0	13,4	2,2	12,6	2,4	11,8	2,7	*	*
	13	*	*	14,6	2,2	13,9	2,4	13,0	2,7	*	*
	14	*	*	15,1	2,2	14,3	2,4	13,4	2,7	*	*
	15	*	*	15,6	2,2	14,7	2,4	13,8	2,7	*	*
	16	*	*	16,0	2,1	15,2	2,4	14,3	2,7	*	*
17	*	*	*	*	15,7	2,3	14,7	2,6	*	*	
18	*	*	*	*	16,2	2,3	15,2	2,6	*	*	
26	5	17,2	2,6	16,4	2,9	15,5	3,2	14,4	3,6	13,3	3,9
	6	17,8	2,6	17,0	2,9	16,0	3,2	14,9	3,6	13,7	4,0
	7	18,3	2,6	17,5	2,9	16,5	3,2	15,4	3,6	14,2	4,0
	8	18,9	2,6	18,1	2,9	17,0	3,2	15,9	3,6	*	*
	9	19,5	2,6	18,6	2,9	17,6	3,2	16,4	3,6	*	*
	10	20,2	2,6	19,2	2,9	18,1	3,3	16,9	3,6	*	*
	13	22,1	2,6	21,1	2,9	19,9	3,3	18,6	3,7	*	*
	14	*	*	21,8	2,9	20,6	3,3	19,2	3,7	*	*
	15	*	*	22,4	2,9	21,2	3,3	19,8	3,7	*	*
	16	*	*	23,1	2,9	21,9	3,3	20,5	3,7	*	*
17	*	*	23,9	2,9	22,6	3,3	21,1	3,7	*	*	
18	*	*	24,6	2,9	23,3	3,3	21,8	3,7	*	*	
30	5	19,5	3,3	18,8	3,6	18,0	4,0	16,9	4,5	15,8	4,9
	6	20,1	3,3	19,5	3,6	18,6	4,1	17,5	4,5	16,4	5,0
	7	20,8	3,3	20,1	3,7	19,2	4,1	18,1	4,5	16,9	5,0
	8	21,5	3,3	20,8	3,7	19,8	4,1	18,7	4,5	*	*
	9	22,2	3,3	21,4	3,7	20,4	4,1	19,3	4,5	*	*
	10	22,9	3,2	22,1	3,7	21,1	4,1	19,9	4,6	*	*
	13	25,2	3,2	24,2	3,7	23,1	4,1	21,9	4,6	*	*
	14	25,9	3,2	25,0	3,7	23,8	4,1	22,5	4,6	*	*
	15	*	*	25,7	3,7	24,5	4,2	23,2	4,6	*	*
	16	*	*	26,5	3,7	25,3	4,2	23,9	4,7	*	*
17	*	*	27,3	3,7	26,0	4,2	24,6	4,7	*	*	
18	*	*	28,1	3,7	26,8	4,2	25,4	4,7	*	*	

P_f: Cooling capacity [kW]P_{comp}: Total power absorbed by compressor [kW]T_a: Outlet water temperature [°C]

COOLING CAPACITY 90Hz

Model	T _a [°C]	Ambient air temperature [°C]									
		25		30		35		40		45	
		P _f	P _{comp}	P _f	P _{comp}	P _f	P _{comp}	P _f	P _{comp}	P _f	P _{comp}
9	5	6,4	1,2	6,1	1,4	5,8	1,6	5,5	1,7	5,2	1,9
	6	6,6	1,2	6,3	1,4	6,0	1,6	5,6	1,7	5,3	1,9
	7	6,8	1,2	6,5	1,4	6,2	1,6	5,8	1,7	5,5	1,9
	8	7,0	1,2	6,7	1,4	6,3	1,6	6,0	1,7	*	*
	9	7,2	1,2	6,9	1,4	6,5	1,6	6,2	1,8	*	*
	10	7,4	1,2	7,1	1,4	6,8	1,6	6,4	1,8	*	*
	13	8,2	1,2	7,8	1,4	7,4	1,6	7,0	1,8	*	*
	14	8,4	1,2	8,0	1,4	7,6	1,6	7,3	1,8	*	*
	15	8,7	1,2	8,3	1,4	7,9	1,6	7,5	1,8	*	*
	16	9,0	1,2	8,5	1,4	8,1	1,6	7,7	1,8	*	*
17	9,2	1,2	8,8	1,4	8,4	1,6	8,0	1,8	*	*	
18	9,5	1,2	9,1	1,4	8,7	1,6	8,2	1,8	*	*	
15	5	11,9	2,5	10,8	2,6	10,1	2,9	9,6	3,2	9,1	3,6
	6	12,2	2,5	11,2	2,6	10,4	2,9	9,9	3,2	9,4	3,6
	7	12,5	2,5	11,5	2,6	10,8	2,9	10,2	3,3	9,7	3,6
	8	12,9	2,4	11,8	2,6	11,1	2,9	10,5	3,3	*	*
	9	13,2	2,4	12,2	2,6	11,4	2,9	10,9	3,3	*	*
	10	13,5	2,4	12,5	2,7	11,8	3,0	11,2	3,3	*	*
	13	14,6	2,4	13,6	2,7	12,8	3,0	12,2	3,4	*	*
	14	14,9	2,4	13,9	2,7	13,2	3,0	12,6	3,4	*	*
	15	15,3	2,4	14,3	2,7	13,6	3,0	12,9	3,4	*	*
	16	15,7	2,4	14,7	2,7	14,0	3,0	13,3	3,4	*	*
17	16,1	2,4	15,1	2,7	14,4	3,0	13,7	3,4	*	*	
18	16,5	2,4	15,5	2,7	14,8	3,0	14,1	3,5	*	*	
20	5	16,8	3,3	16,1	3,7	15,1	4,1	14,1	4,6	13,0	5,1
	6	17,4	3,3	16,6	3,7	15,7	4,2	14,6	4,6	13,4	5,1
	7	17,9	3,3	17,1	3,7	16,1	4,2	15,0	4,6	13,8	5,1
	8	18,5	3,3	17,7	3,8	16,7	4,2	15,5	4,7	*	*
	9	19,1	3,4	18,2	3,8	17,2	4,2	16,0	4,7	*	*
	10	19,7	3,4	18,8	3,8	17,7	4,2	16,5	4,7	*	*
	13	21,5	3,4	20,5	3,8	19,4	4,3	18,1	4,7	*	*
	14	22,2	3,4	21,1	3,8	19,9	4,3	18,6	4,8	*	*
	15	22,8	3,4	21,8	3,9	20,5	4,3	19,2	4,8	*	*
	16	23,5	3,4	22,4	3,9	21,2	4,3	19,8	4,8	*	*
17	24,2	3,4	23,1	3,9	21,8	4,3	20,4	4,8	*	*	
18	*	*	23,7	3,9	22,4	4,4	21,0	4,8	*	*	
26	5	23,2	4,4	22,0	4,9	20,8	5,4	19,5	6,0	18,1	6,6
	6	24,0	4,4	22,7	4,9	21,5	5,4	20,1	6,0	18,7	6,6
	7	24,7	4,4	23,4	4,9	22,1	5,4	20,7	6,0	19,3	6,7
	8	25,4	4,4	24,2	4,9	22,8	5,5	21,4	6,1	*	*
	9	26,2	4,4	24,9	4,9	23,5	5,5	22,1	6,1	*	*
	10	27,0	4,4	25,7	5,0	24,2	5,5	22,8	6,1	*	*
	13	29,5	4,5	28,1	5,0	26,6	5,6	25,0	6,2	*	*
	14	30,4	4,5	29,0	5,0	27,4	5,6	25,8	6,2	*	*
	15	31,4	4,5	29,9	5,0	28,3	5,6	26,6	6,3	*	*
	16	32,4	4,5	30,8	5,0	29,2	5,7	27,5	6,3	*	*
17	33,4	4,5	31,8	5,1	30,1	5,7	28,4	6,3	*	*	
18	34,4	4,5	32,8	5,1	31,1	5,7	29,4	6,4	*	*	
30	5	26,9	5,5	25,7	6,0	24,5	6,7	23,3	7,4	22,0	8,1
	6	27,7	5,5	26,6	6,1	25,4	6,7	24,1	7,4	22,8	8,2
	7	28,6	5,5	27,4	6,1	26,2	6,7	24,9	7,4	23,5	8,2
	8	29,5	5,5	28,3	6,1	27,0	6,8	25,7	7,5	*	*
	9	30,4	5,6	29,2	6,1	27,8	6,8	26,5	7,5	*	*
	10	31,3	5,6	30,1	6,2	28,7	6,8	27,3	7,6	*	*
	13	34,2	5,6	32,8	6,2	31,4	6,9	29,9	7,7	*	*
	14	35,2	5,6	33,8	6,3	32,3	7,0	30,8	7,7	*	*
	15	36,3	5,6	34,8	6,3	33,3	7,0	31,7	7,8	*	*
	16	37,3	5,7	35,8	6,3	34,2	7,0	32,6	7,8	*	*
17	38,4	5,7	36,8	6,4	35,2	7,1	33,5	7,8	*	*	
18	39,5	5,7	37,9	6,4	36,2	7,1	34,5	7,9	*	*	

P_f: Cooling capacity [kW]P_{comp}: Total power absorbed by compressor [kW]T_a: Outlet water temperature [°C]

COOLING CAPACITY 120Hz

Model	T _a [°C]	Ambient air temperature [°C]									
		25		30		35		40		45	
		P _f	P _{comp}	P _f	P _{comp}	P _f	P _{comp}	P _f	P _{comp}	P _f	P _{comp}
9	5	8,2	1,7	7,8	1,9	7,4	2,1	7,0	2,3	6,5	2,5
	6	8,4	1,7	8,0	1,9	7,6	2,1	7,2	2,3	6,7	2,5
	7	8,7	1,7	8,3	1,9	7,9	2,1	7,4	2,4	6,9	2,6
	8	8,9	1,7	8,5	1,9	8,1	2,2	7,6	2,4	*	*
	9	9,2	1,7	8,8	1,9	8,3	2,2	7,9	2,4	*	*
	10	9,5	1,7	9,0	1,9	8,6	2,2	8,1	2,4	*	*
	13	10,3	1,7	9,9	1,9	9,4	2,2	8,9	2,5	*	*
	14	10,6	1,7	10,2	1,9	9,7	2,2	9,2	2,5	*	*
	15	10,9	1,7	10,4	2,0	10,0	2,2	9,4	2,5	*	*
	16	11,2	1,7	10,8	2,0	10,3	2,2	9,7	2,5	*	*
	17	11,6	1,7	11,1	2,0	10,6	2,3	10,0	2,5	*	*
18	11,9	1,7	11,4	2,0	10,9	2,3	10,3	2,5	*	*	
15	5	13,5	3,3	12,9	3,7	12,2	4,0	11,5	4,4	10,9	4,9
	6	13,9	3,3	13,3	3,7	12,6	4,1	11,9	4,5	11,2	5,0
	7	14,4	3,3	13,7	3,7	13,0	4,1	12,3	4,5	11,6	5,0
	8	14,8	3,4	14,1	3,7	13,4	4,1	12,7	4,6	*	*
	9	15,2	3,4	14,5	3,7	13,8	4,2	13,1	4,6	*	*
	10	15,6	3,4	14,9	3,8	14,2	4,2	13,5	4,7	*	*
	13	16,9	3,4	16,2	3,8	15,4	4,3	14,7	4,8	*	*
	14	17,4	3,4	16,6	3,8	15,9	4,3	15,1	4,8	*	*
	15	17,8	3,4	17,1	3,8	16,3	4,3	15,5	4,8	*	*
	16	18,3	3,4	17,5	3,9	16,8	4,3	15,9	4,9	*	*
	17	18,8	3,4	18,0	3,9	17,2	4,4	16,4	4,9	*	*
18	19,3	3,4	18,5	3,9	17,7	4,4	16,8	4,9	*	*	
20	5	20,7	5,0	19,7	5,5	18,5	6,1	17,1	6,8	15,6	7,5
	6	21,4	5,0	20,3	5,6	19,0	6,2	17,6	6,8	16,2	7,6
	7	22,1	5,0	21,0	5,6	19,6	6,2	18,2	6,9	16,7	7,6
	8	22,7	5,1	21,6	5,6	20,2	6,2	18,8	6,9	*	*
	9	23,4	5,1	22,2	5,7	20,9	6,3	19,3	6,9	*	*
	10	24,1	5,1	22,9	5,7	21,5	6,3	19,9	7,0	*	*
	13	26,3	5,2	25,0	5,8	23,4	6,4	21,8	7,1	*	*
	14	27,1	5,2	25,7	5,8	24,1	6,4	22,4	7,1	*	*
	15	27,8	5,2	26,4	5,8	24,8	6,5	23,1	7,2	*	*
	16	28,6	5,2	27,2	5,9	25,5	6,5	23,8	7,2	*	*
	17	29,4	5,3	28,0	5,9	26,3	6,5	24,5	7,2	*	*
18	30,3	5,3	28,7	5,9	27,0	6,6	25,2	7,3	*	*	
26	5	29,5	6,6	27,9	7,4	26,1	8,1	24,0	9,0	21,9	9,9
	6	30,4	6,7	28,8	7,4	26,9	8,2	24,8	9,0	22,6	9,9
	7	31,3	6,7	29,7	7,5	27,7	8,2	25,6	9,1	23,4	10,0
	8	32,3	6,7	30,5	7,5	28,5	8,3	26,3	9,1	*	*
	9	33,2	6,8	31,4	7,5	29,4	8,3	27,1	9,2	*	*
	10	34,2	6,8	32,4	7,6	30,2	8,4	28,0	9,3	*	*
	13	37,2	6,9	35,2	7,7	32,9	8,5	30,5	9,4	*	*
	14	38,3	7,0	36,2	7,8	33,9	8,6	31,4	9,5	*	*
	15	39,4	7,0	37,2	7,8	34,8	8,6	32,3	9,6	*	*
	16	40,5	7,0	38,2	7,8	35,8	8,7	33,2	9,6	*	*
	17	41,6	7,1	39,3	7,9	36,8	8,8	34,2	9,7	*	*
18	42,7	7,1	40,4	7,9	37,8	8,8	35,1	9,7	*	*	
30	5	34,0	8,1	32,5	8,9	30,7	9,9	28,7	10,9	26,7	12,0
	6	35,1	8,1	33,6	9,0	31,7	9,9	29,7	11,0	27,6	12,1
	7	36,2	8,2	34,6	9,1	32,7	10,0	30,6	11,0	28,4	12,2
	8	37,3	8,2	35,7	9,1	33,7	10,1	31,6	11,1	*	*
	9	38,5	8,3	36,7	9,2	34,7	10,1	32,5	11,2	*	*
	10	39,6	8,3	37,8	9,2	35,8	10,2	33,5	11,2	*	*
	13	43,2	8,4	41,2	9,4	39,0	10,4	36,6	11,5	*	*
	14	44,4	8,5	42,4	9,5	40,1	10,5	37,6	11,5	*	*
	15	45,7	8,5	43,6	9,5	41,2	10,5	38,7	11,6	*	*
	16	47,0	8,6	44,8	9,6	42,4	10,6	39,8	11,7	*	*
	17	48,3	8,7	46,0	9,6	43,5	10,7	40,9	11,8	*	*
18	49,6	8,7	47,3	9,7	44,7	10,8	42,0	11,9	*	*	

P_f: Cooling capacity [kW]P_{comp}: Total power absorbed by compressor [kW]T_a: Outlet water temperature [°C]

HEATING CAPACITY 30Hz

Model	Ta	RH	Inlet/outlet condenser water temperature [°C]							
	[°C]	%	30/35		35/40		40/45		45/50	
			P _t	P _a	P _t	P _a	P _t	P _a	P _t	P _a
9	-20	90	0,5	0,2	0,5	0,3	0,6	0,4	*	*
	-15	90	0,8	0,3	0,8	0,3	0,9	0,4	0,9	0,5
	-10	90	1,1	0,3	1,1	0,4	1,1	0,5	1,1	0,5
	-7	90	1,3	0,4	1,3	0,4	1,3	0,5	1,3	0,5
	-5	80	1,4	0,4	1,4	0,4	1,4	0,5	1,4	0,5
	-2	80	1,5	0,4	1,5	0,5	1,5	0,5	1,5	0,6
	0	80	1,6	0,4	1,6	0,5	1,6	0,5	1,6	0,6
	2	80	1,7	0,4	1,7	0,5	1,7	0,5	1,7	0,6
	5	70	1,9	0,4	1,8	0,5	1,8	0,5	1,8	0,6
	7	70	1,9	0,4	1,9	0,5	1,9	0,5	1,9	0,6
	10	70	2,1	0,4	2,1	0,5	2,0	0,5	2,0	0,6
15	70	2,4	0,4	2,3	0,5	2,3	0,5	2,2	0,6	
15	-20	90	1,9	0,7	1,7	0,7	1,6	0,7	*	*
	-15	90	2,2	0,8	1,9	0,7	1,9	0,8	1,9	0,8
	-10	90	2,5	0,8	2,2	0,8	2,2	0,8	2,2	0,9
	-7	90	2,7	0,8	2,4	0,8	2,4	0,9	2,4	0,9
	-5	80	2,8	0,8	2,5	0,8	2,5	0,9	2,5	1,0
	-2	80	3,0	0,8	2,8	0,8	2,7	0,9	2,7	1,0
	0	80	3,1	0,8	2,9	0,8	2,9	0,9	2,9	1,0
	2	80	3,3	0,8	3,1	0,8	3,0	0,9	3,0	1,0
	5	70	3,4	0,8	3,2	0,9	3,2	0,9	3,2	1,0
	7	70	3,6	0,8	3,4	0,9	3,3	0,9	3,4	1,1
	10	70	3,8	0,8	3,6	0,9	3,6	1,0	3,6	1,1
15	70	4,3	0,8	4,1	0,9	4,1	1,0	4,1	1,1	
20	-20	90	2,6	1,1	2,6	1,2	2,6	1,3	*	*
	-15	90	3,1	1,1	3,0	1,2	3,0	1,3	3,0	1,5
	-10	90	3,6	1,1	3,5	1,2	3,5	1,4	3,4	1,5
	-7	90	3,9	1,1	3,9	1,2	3,8	1,4	3,7	1,5
	-5	80	4,1	1,1	4,0	1,2	3,9	1,4	3,9	1,5
	-2	80	4,5	1,1	4,4	1,3	4,3	1,4	4,2	1,5
	0	80	4,7	1,1	4,6	1,3	4,5	1,4	4,4	1,6
	2	80	5,0	1,2	4,8	1,3	4,7	1,4	4,6	1,6
	5	70	5,2	1,2	5,1	1,3	5,0	1,4	4,9	1,6
	7	70	5,5	1,2	5,4	1,3	5,2	1,4	5,1	1,6
	10	70	5,9	1,2	5,8	1,3	5,6	1,4	5,5	1,6
15	70	6,7	1,2	6,5	1,3	6,3	1,4	6,1	1,6	
26	-20	90	3,2	1,3	3,2	1,5	3,2	1,6	*	*
	-15	90	3,8	1,3	3,8	1,5	3,8	1,7	3,7	1,8
	-10	90	4,5	1,4	4,5	1,5	4,4	1,7	4,3	1,9
	-7	90	4,9	1,4	4,9	1,5	4,8	1,7	4,7	1,9
	-5	80	5,1	1,4	5,1	1,5	5,0	1,7	4,9	1,9
	-2	80	5,6	1,4	5,5	1,6	5,4	1,7	5,3	1,9
	0	80	5,9	1,4	5,8	1,6	5,7	1,7	5,5	1,9
	2	80	6,2	1,4	6,1	1,6	6,0	1,7	5,8	1,9
	5	70	6,6	1,4	6,4	1,6	6,3	1,8	6,1	1,9
	7	70	6,9	1,4	6,8	1,6	6,6	1,8	6,4	2,0
	10	70	7,4	1,4	7,3	1,6	7,1	1,8	6,9	2,0
15	70	8,4	1,4	8,2	1,6	8,0	1,8	7,7	2,0	
30	-20	90	5,4	1,8	5,2	1,9	5,1	2,1	*	*
	-15	90	5,7	1,8	5,6	2,0	5,5	2,2	5,4	2,4
	-10	90	6,3	1,9	6,2	2,0	6,1	2,2	6,0	2,5
	-7	90	6,7	1,9	6,6	2,1	6,5	2,3	6,4	2,5
	-5	80	7,0	1,9	6,9	2,1	6,7	2,3	6,6	2,5
	-2	80	7,5	1,9	7,4	2,1	7,3	2,3	7,1	2,5
	0	80	7,9	1,9	7,7	2,1	7,6	2,3	7,4	2,5
	2	80	8,3	1,9	8,1	2,1	8,0	2,3	7,8	2,6
	5	70	8,7	1,9	8,6	2,1	8,4	2,3	8,3	2,6
	7	70	9,1	1,9	9,0	2,1	8,8	2,3	8,6	2,6
	10	70	9,8	1,9	9,7	2,1	9,5	2,3	9,3	2,6
15	70	11,1	1,9	10,9	2,1	10,7	2,4	10,4	2,6	

P_t: Heating capacity [kW]P_a: Total power absorbed by compressor [kW]T_a: Ambient air temperature dry bulb [°C]

RH: Relative Humidity [%]

HEATING CAPACITY 60Hz

Model	Ta	RH	Inlet/outlet condenser water temperature [°C]							
	[°C]	%	30/35		35/40		40/45		45/50	
			P _t	P _a	P _t	P _a	P _t	P _a	P _t	P _a
9	-20	90	1,3	0,4	1,3	0,6	1,3	0,7	*	*
	-15	90	2,0	0,6	2,0	0,7	2,0	0,8	2,0	1,0
	-10	90	2,7	0,7	2,6	0,8	2,6	0,9	2,6	1,1
	-7	90	3,0	0,8	3,0	0,9	3,0	1,0	2,9	1,1
	-5	80	3,3	0,8	3,2	0,9	3,2	1,0	3,2	1,1
	-2	80	3,6	0,8	3,6	0,9	3,5	1,0	3,5	1,1
	0	80	3,8	0,9	3,8	1,0	3,7	1,1	3,7	1,2
	2	80	4,1	0,9	4,0	1,0	3,9	1,1	3,9	1,2
	5	70	4,4	0,9	4,3	1,0	4,2	1,1	4,2	1,2
	7	70	4,6	0,9	4,5	1,0	4,5	1,1	4,4	1,2
10	70	5,0	0,9	4,9	1,0	4,8	1,1	4,7	1,2	
15	70	5,6	0,9	5,5	1,0	5,4	1,1	5,2	1,2	
15	-20	90	4,6	1,5	4,0	1,4	3,8	1,5	*	*
	-15	90	5,2	1,5	4,6	1,5	4,5	1,6	4,5	1,7
	-10	90	5,9	1,6	5,3	1,6	5,2	1,7	5,3	1,8
	-7	90	6,4	1,6	5,8	1,6	5,7	1,7	5,7	1,9
	-5	80	6,6	1,6	6,1	1,6	6,0	1,8	6,0	1,9
	-2	80	7,1	1,6	6,6	1,7	6,5	1,8	6,5	2,0
	0	80	7,5	1,6	6,9	1,7	6,8	1,8	6,9	2,0
	2	80	7,8	1,6	7,3	1,7	7,2	1,9	7,3	2,1
	5	70	8,3	1,6	7,8	1,7	7,7	1,9	7,8	2,1
	7	70	8,7	1,6	8,2	1,7	8,1	1,9	8,2	2,1
10	70	9,2	1,6	8,8	1,7	8,7	1,9	8,7	2,2	
15	70	10,3	1,6	9,8	1,7	9,7	1,9	9,8	2,2	
20	-20	90	5,9	2,1	5,9	2,4	5,8	2,6	*	*
	-15	90	7,0	2,1	6,9	2,4	6,8	2,7	6,7	3,0
	-10	90	8,2	2,2	8,0	2,5	7,9	2,7	7,7	3,0
	-7	90	8,9	2,2	8,8	2,5	8,6	2,7	8,4	3,0
	-5	80	9,4	2,3	9,2	2,5	9,0	2,8	8,8	3,1
	-2	80	10,2	2,3	10,0	2,5	9,7	2,8	9,5	3,1
	0	80	10,7	2,3	10,5	2,5	10,2	2,8	10,0	3,1
	2	80	11,3	2,3	11,1	2,5	10,7	2,8	10,5	3,1
	5	70	12,2	2,3	11,9	2,6	11,6	2,8	11,2	3,2
	7	70	12,8	2,3	12,5	2,6	12,1	2,8	11,8	3,2
10	70	13,7	2,3	13,4	2,6	13,0	2,8	12,6	3,2	
15	70	15,4	2,3	15,0	2,5	14,6	2,8	14,1	3,1	
26	-20	90	7,7	2,6	7,7	2,9	7,7	3,3	*	*
	-15	90	9,3	2,7	9,2	3,0	9,1	3,3	9,0	3,7
	-10	90	10,9	2,7	10,8	3,0	10,6	3,4	10,4	3,7
	-7	90	11,9	2,8	11,7	3,1	11,5	3,4	11,2	3,8
	-5	80	12,5	2,8	12,3	3,1	12,1	3,4	11,8	3,8
	-2	80	13,6	2,8	13,3	3,1	13,0	3,5	12,7	3,8
	0	80	14,3	2,8	14,0	3,1	13,7	3,5	13,3	3,9
	2	80	15,1	2,8	14,8	3,2	14,4	3,5	14,0	3,9
	5	70	16,2	2,8	15,9	3,2	15,5	3,5	15,0	3,9
	7	70	17,0	2,9	16,6	3,2	16,2	3,5	15,7	3,9
10	70	18,2	2,9	17,9	3,2	17,4	3,6	16,9	3,9	
15	70	20,5	2,8	20,1	3,2	19,5	3,6	19,0	4,0	
30	-20	90	11,4	3,5	11,1	3,8	10,8	4,2	*	*
	-15	90	12,3	3,6	12,1	3,9	11,8	4,3	11,5	4,7
	-10	90	13,6	3,7	13,4	4,0	13,1	4,4	12,8	4,8
	-7	90	14,6	3,7	14,3	4,0	14,0	4,4	13,7	4,9
	-5	80	15,2	3,7	14,9	4,1	14,6	4,5	14,3	4,9
	-2	80	16,3	3,7	16,1	4,1	15,7	4,5	15,4	5,0
	0	80	17,1	3,7	16,9	4,1	16,5	4,5	16,1	5,0
	2	80	18,0	3,7	17,7	4,1	17,4	4,5	17,0	5,0
	5	70	19,2	3,7	18,9	4,1	18,6	4,6	18,2	5,0
	7	70	20,2	3,7	19,9	4,1	19,5	4,6	19,1	5,1
10	70	21,7	3,7	21,4	4,2	20,9	4,6	20,5	5,1	
15	70	24,4	3,7	24,0	4,2	23,5	4,6	23,0	5,1	

P_t: Heating capacity [kW]P_a: Total power absorbed by compressor [kW]T_a: Ambient air temperature dry bulb [°C]

RH: Relative Humidity [%]

HEATING CAPACITY 90Hz

Model	Ta	RH	Inlet/outlet condenser water temperature [°C]							
	[°C]	%	30/35		35/40		40/45		45/50	
			P _t	P _a	P _t	P _a	P _t	P _a	P _t	P _a
9	-20	90	2,2	0,9	2,2	1,0	2,1	1,1	*	*
	-15	90	3,2	1,1	3,1	1,2	3,1	1,3	3,1	1,4
	-10	90	4,1	1,2	4,1	1,3	4,0	1,4	4,0	1,5
	-7	90	4,7	1,2	4,6	1,3	4,5	1,5	4,5	1,6
	-5	80	5,0	1,2	4,9	1,4	4,8	1,5	4,8	1,6
	-2	80	5,5	1,3	5,4	1,4	5,3	1,5	5,3	1,7
	0	80	5,8	1,3	5,7	1,4	5,6	1,6	5,6	1,7
	2	80	6,1	1,3	6,0	1,5	6,0	1,6	5,9	1,8
	5	70	6,5	1,3	6,4	1,5	6,4	1,6	6,3	1,8
	7	70	6,8	1,3	6,8	1,5	6,7	1,6	6,6	1,8
	10	70	7,3	1,4	7,2	1,5	7,1	1,7	7,1	1,8
15	70	8,1	1,4	8,0	1,5	8,0	1,7	7,9	1,9	
15	-20	90	6,7	2,3	6,1	2,3	5,9	2,4	*	*
	-15	90	7,4	2,4	6,9	2,5	6,7	2,6	6,7	2,7
	-10	90	8,3	2,5	7,8	2,6	7,7	2,8	7,7	3,0
	-7	90	9,0	2,5	8,5	2,7	8,4	2,9	8,3	3,1
	-5	80	9,3	2,6	8,8	2,7	8,7	2,9	8,7	3,2
	-2	80	10,1	2,6	9,6	2,7	9,5	3,0	9,4	3,3
	0	80	10,6	2,6	10,1	2,8	9,9	3,0	9,9	3,3
	2	80	11,1	2,6	10,6	2,8	10,5	3,1	10,4	3,4
	5	70	11,7	2,6	11,2	2,8	11,1	3,1	11,0	3,4
	7	70	12,2	2,6	11,7	2,9	11,6	3,2	11,5	3,5
	10	70	13,0	2,6	12,6	2,9	12,5	3,2	12,4	3,6
15	70	14,6	2,6	14,2	2,9	14,0	3,3	13,9	3,6	
20	-20	90	8,6	3,2	8,6	3,6	8,6	3,9	*	*
	-15	90	10,2	3,3	10,2	3,7	10,1	4,1	10,0	4,5
	-10	90	11,9	3,4	11,8	3,8	11,7	4,2	11,5	4,6
	-7	90	13,0	3,4	12,9	3,8	12,7	4,2	12,4	4,7
	-5	80	13,6	3,5	13,4	3,8	13,2	4,3	12,9	4,7
	-2	80	14,8	3,5	14,6	3,9	14,3	4,3	13,9	4,8
	0	80	15,5	3,5	15,2	3,9	14,9	4,3	14,6	4,8
	2	80	16,4	3,5	16,1	3,9	15,7	4,4	15,3	4,8
	5	70	17,2	3,6	16,9	4,0	16,6	4,4	16,2	4,9
	7	70	18,1	3,6	17,7	4,0	17,3	4,4	16,9	4,9
	10	70	19,5	3,6	19,1	4,0	18,5	4,4	18,1	4,9
15	70	21,9	3,6	21,5	4,0	20,9	4,5	20,2	5,0	
26	-20	90	9,2	3,9	9,3	4,3	9,5	4,9	*	*
	-15	90	12,4	4,0	12,3	4,4	12,4	4,9	12,5	5,5
	-10	90	15,2	4,1	15,1	4,5	15,1	5,0	15,1	5,6
	-7	90	16,9	4,1	16,7	4,6	16,6	5,1	16,6	5,6
	-5	80	17,7	4,2	17,5	4,6	17,4	5,1	17,3	5,7
	-2	80	19,4	4,2	19,2	4,7	18,9	5,2	18,7	5,7
	0	80	20,3	4,2	20,0	4,7	19,8	5,2	19,5	5,8
	2	80	21,4	4,3	21,1	4,7	20,8	5,2	20,5	5,8
	5	70	22,6	4,3	22,3	4,8	22,0	5,3	21,7	5,8
	7	70	23,6	4,3	23,3	4,8	23,0	5,3	22,6	5,9
	10	70	25,4	4,3	24,9	4,8	24,5	5,3	24,1	5,9
15	70	28,5	4,4	28,0	4,8	27,4	5,4	26,7	6,0	
30	-20	90	16,0	5,1	16,4	5,5	16,1	6,0	*	*
	-15	90	18,0	5,2	17,6	5,6	17,4	6,2	17,3	6,8
	-10	90	19,6	5,3	19,3	5,8	19,1	6,3	19,0	7,0
	-7	90	21,0	5,4	20,6	5,8	20,4	6,4	20,3	7,0
	-5	80	21,6	5,4	21,3	5,8	21,1	6,4	21,0	7,1
	-2	80	23,2	5,4	22,9	5,9	22,7	6,5	22,5	7,1
	0	80	24,2	5,4	23,9	5,9	23,6	6,5	23,5	7,2
	2	80	25,4	5,4	25,1	5,9	24,8	6,5	24,7	7,2
	5	70	26,8	5,4	26,5	6,0	26,2	6,6	26,0	7,3
	7	70	28,0	5,4	27,7	6,0	27,4	6,6	27,1	7,3
	10	70	30,1	5,4	29,7	6,0	29,4	6,6	29,1	7,4
15	70	33,9	5,4	33,4	6,0	33,0	6,7	32,6	7,4	

P_t: Heating capacity [kW]P_a: Total power absorbed by compressor [kW]T_a: Ambient air temperature dry bulb [°C]

RH: Relative Humidity [%]

HEATING CAPACITY 120Hz

Model	Ta [°C]	RH %	Inlet/outlet condenser water temperature [°C]							
			30/35		35/40		40/45		45/50	
			P _t	P _a	P _t	P _a	P _t	P _a	P _t	P _a
9	-20	90	3,6	1,4	3,7	1,5	3,8	1,7	*	*
	-15	90	4,6	1,5	4,6	1,7	4,6	1,8	4,6	2,0
	-10	90	5,6	1,7	5,5	1,8	5,5	2,0	5,4	2,1
	-7	90	6,2	1,7	6,1	1,9	6,0	2,0	5,9	2,2
	-5	80	6,4	1,8	6,4	1,9	6,3	2,1	6,2	2,2
	-2	80	7,0	1,8	7,0	2,0	6,9	2,1	6,7	2,3
	0	80	7,4	1,8	7,3	2,0	7,2	2,2	7,0	2,3
	2	80	7,8	1,9	7,7	2,0	7,6	2,2	7,4	2,4
	5	70	8,2	1,9	8,1	2,1	8,0	2,2	7,8	2,4
	7	70	8,6	1,9	8,5	2,1	8,3	2,3	8,2	2,5
10	70	9,2	1,9	9,1	2,1	8,9	2,3	8,7	2,5	
15	70	10,3	1,9	10,2	2,1	10,0	2,4	9,8	2,6	
15	-20	90	7,5	2,7	7,4	2,8	7,4	3,0	*	*
	-15	90	8,5	2,9	8,4	3,0	8,3	3,2	8,4	3,5
	-10	90	9,7	3,0	9,5	3,2	9,5	3,5	9,5	3,8
	-7	90	10,6	3,1	10,4	3,4	10,3	3,6	10,3	4,0
	-5	80	11,0	3,2	10,8	3,4	10,7	3,7	10,7	4,0
	-2	80	12,0	3,3	11,8	3,5	11,7	3,8	11,6	4,2
	0	80	12,6	3,3	12,4	3,6	12,2	3,9	12,2	4,3
	2	80	13,2	3,4	13,0	3,6	12,9	4,0	12,8	4,4
	5	70	14,0	3,4	13,8	3,7	13,6	4,1	13,5	4,5
	7	70	14,6	3,4	14,4	3,7	14,3	4,1	14,1	4,5
10	70	15,7	3,5	15,5	3,8	15,3	4,2	15,2	4,6	
15	70	17,5	3,5	17,3	3,9	17,2	4,3	17,0	4,8	
20	-20	90	11,3	4,7	11,4	5,3	11,5	5,9	*	*
	-15	90	13,4	4,9	13,4	5,5	13,4	6,1	13,4	6,7
	-10	90	15,5	5,1	15,5	5,6	15,4	6,2	15,2	6,9
	-7	90	17,0	5,1	16,8	5,7	16,7	6,3	16,4	7,0
	-5	80	17,7	5,2	17,5	5,7	17,3	6,4	17,1	7,1
	-2	80	19,1	5,2	18,9	5,8	18,7	6,4	18,4	7,2
	0	80	20,1	5,3	19,8	5,9	19,5	6,5	19,1	7,2
	2	80	21,1	5,3	20,8	5,9	20,5	6,5	20,1	7,2
	5	70	22,3	5,3	22,0	5,9	21,6	6,6	21,1	7,3
	7	70	23,4	5,4	23,0	6,0	22,5	6,6	22,0	7,3
10	70	25,0	5,4	24,6	6,0	24,1	6,7	23,5	7,4	
15	70	28,1	5,4	27,6	6,0	26,9	6,7	26,2	7,5	
26	-20	90	15,2	6,2	15,4	6,9	15,5	7,7	*	*
	-15	90	17,8	6,3	17,9	7,1	17,9	7,8	17,9	8,7
	-10	90	20,6	6,5	20,5	7,2	20,4	8,0	20,3	8,9
	-7	90	22,4	6,6	22,3	7,3	22,0	8,1	21,8	9,0
	-5	80	23,4	6,6	23,2	7,3	22,8	8,1	22,6	9,0
	-2	80	25,3	6,7	25,1	7,4	24,7	8,2	24,3	9,1
	0	80	26,5	6,7	26,2	7,5	25,8	8,3	25,2	9,2
	2	80	27,8	6,8	27,5	7,5	27,0	8,3	26,5	9,2
	5	70	29,4	6,8	29,0	7,6	28,4	8,4	27,8	9,3
	7	70	30,8	6,9	30,3	7,6	29,6	8,4	28,9	9,3
10	70	33,0	6,9	32,5	7,7	31,8	8,5	31,0	9,4	
15	70	36,9	7,0	36,2	7,8	35,4	8,6	34,6	9,6	
30	-20	90	20,0	7,9	19,9	8,5	19,7	9,4	*	*
	-15	90	23,5	8,0	23,1	8,7	22,7	9,6	22,5	10,6
	-10	90	25,5	8,2	25,2	8,9	24,9	9,8	24,6	10,9
	-7	90	27,1	8,3	26,8	9,0	26,5	9,9	26,2	11,0
	-5	80	28,0	8,3	27,8	9,1	27,4	10,0	27,1	11,0
	-2	80	30,0	8,4	29,7	9,2	29,3	10,1	29,0	11,2
	0	80	31,3	8,4	31,0	9,2	30,6	10,1	30,2	11,2
	2	80	32,7	8,4	32,4	9,2	32,0	10,2	31,6	11,3
	5	70	34,5	8,5	34,2	9,3	33,7	10,3	33,2	11,4
	7	70	36,1	8,5	35,7	9,3	35,1	10,3	34,6	11,4
10	70	38,6	8,5	38,2	9,4	37,6	10,4	37,1	11,5	
15	70	43,2	8,5	42,7	9,5	42,1	10,5	41,4	11,6	

P_t: Heating capacity [kW]P_a: Total power absorbed by compressor [kW]T_a: Ambient air temperature dry bulb [°C]

RH: Relative Humidity [%]

/LE COOLING CAPACITY 30Hz

Model	T _a [°C]	Ambient air temperature [°C]									
		25		30		35		40		45	
		P _f	P _{comp}	P _f	P _{comp}	P _f	P _{comp}	P _f	P _{comp}	P _f	P _{comp}
9	0	1,74	0,4	1,64	0,45	1,54	0,49	1,44	0,54	1,35	0,59
	2,5	1,89	0,41	1,78	0,45	1,68	0,5	1,57	0,55	1,47	0,6
	5	2,05	0,4	1,93	0,45	1,82	0,5	1,71	0,55	1,6	0,6
	7,5	2,22	0,4	2,1	0,45	1,97	0,5	1,85	0,55	1,74	0,61
	10	2,41	0,39	2,27	0,44	2,14	0,5	2,01	0,56	1,88	0,62
15	0	3,22	0,78	2,84	0,82	2,62	0,89	2,5	0,99	2,4	1,1
	2,5	3,43	0,78	3,06	0,82	2,85	0,9	2,73	1,01	2,62	1,13
	5	3,65	0,77	3,3	0,83	3,09	0,92	2,97	1,03	2,84	1,15
	7,5	3,88	0,77	3,55	0,83	3,35	0,93	3,22	1,05	3,08	1,18
	10	4,13	0,76	3,81	0,84	3,62	0,94	3,48	1,07	3,32	1,2
20	0	4,74	1,11	4,47	1,22	4,17	1,34	3,85	1,48	3,51	1,64
	2,5	5,15	1,12	4,86	1,23	4,54	1,36	4,2	1,5	3,83	1,66
	5	5,58	1,13	5,27	1,23	4,93	1,36	4,56	1,51	4,17	1,68
	7,5	6,04	1,12	5,71	1,23	5,34	1,37	4,95	1,52	4,54	1,69
	10	6,53	1,11	6,17	1,23	5,78	1,36	5,37	1,52	4,93	1,7
26	0	5,86	1,34	5,53	1,49	5,16	1,65	4,75	1,82	4,33	2,01
	2,5	6,37	1,36	6,01	1,51	5,61	1,68	5,17	1,85	4,71	2,04
	5	6,91	1,37	6,52	1,53	6,09	1,7	5,62	1,88	5,13	2,07
	7,5	7,48	1,39	7,06	1,55	6,59	1,72	6,09	1,91	5,57	2,1
	10	8,09	1,4	7,63	1,57	7,13	1,75	6,6	1,93	6,04	2,13
30	0	7,9	1,75	7,54	1,94	7,12	2,14	6,64	2,35	6,13	2,59
	2,5	8,6	1,77	8,21	1,96	7,75	2,16	7,23	2,39	6,7	2,63
	5	9,35	1,78	8,92	1,98	8,42	2,19	7,87	2,42	7,3	2,67
	7,5	10,14	1,8	9,67	2,01	9,13	2,23	8,54	2,46	7,93	2,71
	10	10,98	1,82	10,46	2,04	9,87	2,26	9,24	2,49	8,59	2,75

/LE COOLING CAPACITY 60Hz

Model	T _a [°C]	Ambient air temperature [°C]									
		25		30		35		40		45	
		P _f	P _{comp}	P _f	P _{comp}	P _f	P _{comp}	P _f	P _{comp}	P _f	P _{comp}
9	0	3,92	0,75	3,69	0,84	3,47	0,93	3,25	1,02	3,05	1,12
	2,5	4,27	0,75	4,03	0,84	3,79	0,93	3,56	1,03	3,33	1,13
	5	4,65	0,74	4,38	0,83	4,13	0,93	3,87	1,03	3,63	1,14
	7,5	5,05	0,72	4,76	0,82	4,49	0,92	4,21	1,03	3,95	1,14
	10	5,48	0,69	5,17	0,8	4,87	0,91	4,58	1,02	4,29	1,14
15	0	8,79	1,55	7,47	1,56	6,63	1,66	6,18	1,82	5,95	2,03
	2,5	9,32	1,52	8,02	1,56	7,2	1,67	6,75	1,85	6,5	2,07
	5	9,88	1,49	8,6	1,54	7,8	1,67	7,36	1,87	7,08	2,11
	7,5	10,47	1,46	9,22	1,53	8,43	1,68	7,99	1,89	7,7	2,14
	10	11,09	1,43	9,87	1,52	9,1	1,68	8,66	1,9	8,35	2,16
20	0	10,98	2,04	10,42	2,23	9,78	2,45	9,08	2,71	8,32	3
	2,5	11,95	2,05	11,35	2,24	10,67	2,46	9,91	2,72	9,11	3,02
	5	12,99	2,05	12,35	2,23	11,61	2,46	10,81	2,72	9,95	3,03
	7,5	14,1	2,03	13,41	2,22	12,62	2,44	11,76	2,72	10,85	3,03
	10	*	*	14,54	2,18	13,7	2,42	12,79	2,7	11,81	3,02
26	0	15,43	2,54	14,7	2,85	13,8	3,17	12,79	3,51	11,69	3,87
	2,5	16,82	2,55	16,01	2,87	15,04	3,2	13,95	3,54	12,78	3,92
	5	18,3	2,56	17,41	2,89	16,36	3,22	15,19	3,58	13,94	3,96
	7,5	19,88	2,56	18,91	2,9	17,78	3,25	16,53	3,61	15,19	4
	10	21,57	2,56	20,51	2,91	19,29	3,27	17,96	3,64	16,53	4,04
30	0	17,89	3,26	17,25	3,63	16,39	4,01	15,38	4,42	14,27	4,88
	2,5	19,54	3,26	18,82	3,64	17,89	4,04	16,8	4,47	15,62	4,93
	5	21,31	3,25	20,51	3,65	19,49	4,07	18,32	4,51	17,06	4,98
	7,5	23,19	3,24	22,3	3,67	21,19	4,1	19,94	4,55	18,58	5,03
	10	25,19	3,24	24,19	3,68	22,99	4,13	21,64	4,59	20,19	5,08

P_f: Cooling capacity [kW]P_{comp}: Total power absorbed by compressor [kW]T_a: Evaporating temperature [°C]

/LE COOLING CAPACITY 90Hz

Model	T _a	Ambient air temperature [°C]									
	[°C]	25		30		35		40		45	
		P _f	P _{comp}	P _f	P _{comp}	P _f	P _{comp}	P _f	P _{comp}	P _f	P _{comp}
9	0	5,96	1,24	5,65	1,38	5,35	1,53	5,04	1,69	4,74	1,86
	2,5	6,48	1,24	6,15	1,39	5,82	1,55	5,49	1,72	5,17	1,89
	5	7,04	1,24	6,68	1,4	6,33	1,57	5,97	1,74	5,62	1,92
	7,5	7,64	1,23	7,26	1,4	6,87	1,58	6,49	1,76	6,11	1,95
	10	8,29	1,22	7,88	1,4	7,46	1,59	7,05	1,78	6,64	1,98
15	0	11,44	2,47	10,29	2,62	9,49	2,85	8,92	3,15	8,4	3,5
	2,5	12,25	2,45	11,12	2,63	10,32	2,89	9,73	3,22	9,16	3,58
	5	13,11	2,43	12	2,64	11,2	2,93	10,58	3,28	9,96	3,65
	7,5	14,01	2,41	12,92	2,65	12,12	2,96	11,47	3,33	10,79	3,72
	10	14,96	2,39	13,88	2,66	13,08	3	12,4	3,38	11,66	3,79
20	0	15,89	3,28	15,11	3,69	14,16	4,1	13,08	4,55	11,92	5,02
	2,5	17,3	3,31	16,45	3,73	15,41	4,15	14,26	4,6	13,02	5,08
	5	18,8	3,35	17,86	3,76	16,75	4,19	15,51	4,65	14,19	5,14
	7,5	20,4	3,38	19,37	3,8	18,17	4,24	16,85	4,7	15,44	5,2
	10	22,09	3,41	20,97	3,84	19,68	4,28	18,27	4,75	16,78	5,25
26	0	22,03	4,36	20,8	4,82	19,51	5,33	18,17	5,89	16,79	6,5
	2,5	23,88	4,4	22,56	4,88	21,18	5,4	19,74	5,97	18,25	6,6
	5	25,87	4,43	24,46	4,93	22,98	5,47	21,44	6,06	19,84	6,69
	7,5	28,05	4,45	26,53	4,97	24,95	5,53	23,29	6,14	21,59	6,79
	10	30,44	4,46	28,81	5,01	27,11	5,59	25,35	6,22	23,52	6,89
30	0	25,46	5,49	24,27	6	23,03	6,59	21,73	7,27	20,4	8,03
	2,5	27,68	5,51	26,41	6,05	25,08	6,68	23,7	7,37	22,28	8,14
	5	30,05	5,54	28,69	6,12	27,28	6,76	25,8	7,48	24,28	8,26
	7,5	32,57	5,58	31,12	6,18	29,6	6,85	28,02	7,58	26,4	8,38
	10	35,24	5,62	33,68	6,26	32,05	6,95	30,36	7,69	28,62	8,49

/LE COOLING CAPACITY 120Hz

Model	T _a	Ambient air temperature [°C]									
	[°C]	25		30		35		40		45	
		P _f	P _{comp}	P _f	P _{comp}	P _f	P _{comp}	P _f	P _{comp}	P _f	P _{comp}
9	0	7,67	1,69	7,28	1,88	6,87	2,08	6,43	2,28	5,96	2,47
	2,5	8,31	1,69	7,89	1,9	7,45	2,12	6,99	2,32	6,49	2,52
	5	8,98	1,69	8,54	1,92	8,07	2,15	7,58	2,37	7,05	2,58
	7,5	9,69	1,68	9,22	1,93	8,73	2,18	8,21	2,41	7,66	2,63
	10	10,45	1,67	9,96	1,94	9,44	2,2	8,9	2,46	8,32	2,69
15	0	13,09	3,31	12,38	3,62	11,67	3,98	10,97	4,37	10,27	4,8
	2,5	14,16	3,34	13,42	3,69	12,68	4,07	11,93	4,49	11,19	4,94
	5	15,28	3,36	14,51	3,74	13,73	4,16	12,95	4,6	12,16	5,08
	7,5	16,45	3,37	15,65	3,79	14,84	4,23	14,01	4,71	13,18	5,21
	10	17,66	3,38	16,84	3,83	15,99	4,3	15,12	4,8	14,24	5,32
20	0	20,61	4,95	19,51	5,5	18,17	6,09	16,68	6,73	15,12	7,43
	2,5	22,41	5,01	21,2	5,58	19,75	6,18	18,15	6,83	16,49	7,54
	5	24,32	5,08	22,98	5,66	21,42	6,27	19,72	6,93	17,94	7,64
	7,5	26,33	5,15	24,86	5,73	23,19	6,36	21,37	7,02	19,49	7,75
	10	28,45	5,21	26,86	5,81	25,06	6,44	23,13	7,12	21,13	7,86
26	0	28,6	6,57	26,93	7,3	24,96	8,06	22,82	8,87	20,61	9,75
	2,5	31,06	6,69	29,22	7,42	27,1	8,2	24,8	9,02	22,45	9,92
	5	33,64	6,79	31,63	7,55	29,34	8,34	26,9	9,18	24,4	10,09
	7,5	36,36	6,89	34,17	7,67	31,72	8,48	29,12	9,34	26,47	10,27
	10	39,23	6,99	36,85	7,78	34,23	8,61	31,47	9,5	28,67	10,45
30	0	32,97	8,07	31,42	8,89	29,5	9,78	27,37	10,77	25,18	11,87
	2,5	35,87	8,17	34,14	9,03	32,07	9,95	29,8	10,96	27,48	12,07
	5	38,95	8,28	37,03	9,17	34,79	10,12	32,37	11,15	29,91	12,28
	7,5	42,2	8,4	40,07	9,33	37,65	10,31	35,07	11,35	32,46	12,49
	10	45,59	8,54	43,25	9,5	40,64	10,5	37,9	11,56	35,13	12,7

P_f: Cooling capacity [kW]P_{comp}: Total power absorbed by compressor [kW]T_a: Evaporating temperature [°C]

/LE HEATING CAPACITY 30Hz

Model	Ta [°C]	RH %	Inlet/outlet condenser water temperature [°C]									
			40		45		50		55		60	
			P _t	P _{comp}	P _t	P _{comp}	P _t	P _{comp}	P _t	P _{comp}	P _t	P _{comp}
9	-20	90	0,6	0,3	0,6	0,3	0,6	0,4	*	*	*	*
	-15	90	0,8	0,3	0,9	0,4	0,9	0,5	*	*	*	*
	-10	90	1,1	0,4	1,1	0,4	1,1	0,5	1,1	0,5	*	*
	-7	90	1,3	0,4	1,3	0,5	1,3	0,5	1,3	0,6	1,3	0,6
	-5	80	1,4	0,4	1,4	0,5	1,4	0,5	1,4	0,6	1,4	0,6
	-2	80	1,5	0,4	1,5	0,5	1,5	0,5	1,5	0,6	1,5	0,6
	0	80	1,6	0,4	1,6	0,5	1,6	0,5	1,6	0,6	1,6	0,6
	2	80	1,7	0,5	1,7	0,5	1,7	0,5	1,7	0,6	1,7	0,7
	5	70	1,9	0,5	1,8	0,5	1,8	0,6	1,8	0,6	1,8	0,7
	7	70	2,0	0,5	1,9	0,5	1,9	0,6	1,9	0,6	1,9	0,7
10	70	2,1	0,5	2,1	0,5	2,0	0,6	2,0	0,6	2,0	0,7	
15	70	2,4	0,5	2,3	0,5	2,3	0,6	2,2	0,6	2,2	0,7	
15	-20	90	1,7	0,7	1,6	0,7	1,6	0,7	*	*	*	*
	-15	90	2,0	0,8	1,9	0,8	1,9	0,8	*	*	*	*
	-10	90	2,3	0,8	2,2	0,8	2,2	0,9	2,2	1,0	*	*
	-7	90	2,5	0,8	2,4	0,8	2,4	0,9	2,4	1,0	2,3	1,1
	-5	80	2,6	0,8	2,5	0,9	2,5	0,9	2,5	1,0	2,4	1,1
	-2	80	2,8	0,8	2,7	0,9	2,7	1,0	2,7	1,1	2,6	1,1
	0	80	2,9	0,8	2,8	0,9	2,8	1,0	2,9	1,1	2,8	1,2
	2	80	3,1	0,8	3,0	0,9	3,0	1,0	3,0	1,1	2,9	1,2
	5	70	3,3	0,8	3,2	0,9	3,2	1,0	3,2	1,1	3,1	1,2
	7	70	3,4	0,8	3,3	0,9	3,3	1,0	3,3	1,1	3,2	1,2
10	70	3,7	0,8	3,6	0,9	3,6	1,0	3,6	1,1	3,5	1,3	
15	70	4,2	0,8	4,0	0,9	4,0	1,0	4,0	1,2	3,9	1,3	
20	-20	90	2,5	1,1	2,5	1,3	2,5	1,4	*	*	*	*
	-15	90	3,0	1,2	3,0	1,3	2,9	1,4	*	*	*	*
	-10	90	3,5	1,2	3,4	1,3	3,4	1,4	3,3	1,6	*	*
	-7	90	3,8	1,2	3,7	1,3	3,7	1,5	3,6	1,6	3,5	1,8
	-5	80	4,0	1,2	3,9	1,3	3,8	1,5	3,7	1,6	3,7	1,8
	-2	80	4,3	1,2	4,2	1,3	4,1	1,5	4,0	1,6	3,9	1,8
	0	80	4,6	1,2	4,4	1,3	4,3	1,5	4,2	1,6	4,1	1,8
	2	80	4,8	1,2	4,7	1,3	4,6	1,5	4,4	1,7	4,3	1,8
	5	70	5,1	1,2	4,9	1,3	4,8	1,5	4,7	1,7	4,6	1,9
	7	70	5,3	1,2	5,2	1,3	5,0	1,5	4,9	1,7	4,8	1,9
10	70	5,7	1,2	5,6	1,3	5,4	1,5	5,3	1,7	5,1	1,9	
15	70	6,5	1,2	6,3	1,3	6,1	1,5	5,9	1,7	5,7	1,9	
26	-20	90	3,2	1,4	3,2	1,6	3,2	1,7	*	*	*	*
	-15	90	3,8	1,4	3,7	1,6	3,7	1,8	*	*	*	*
	-10	90	4,4	1,4	4,4	1,6	4,3	1,8	4,2	2,0	*	*
	-7	90	4,8	1,5	4,8	1,6	4,7	1,8	4,6	2,0	4,5	2,2
	-5	80	5,0	1,5	5,0	1,6	4,9	1,8	4,7	2,0	4,7	2,2
	-2	80	5,5	1,5	5,4	1,6	5,3	1,8	5,1	2,0	5,0	2,2
	0	80	5,8	1,5	5,6	1,6	5,5	1,8	5,4	2,0	5,2	2,2
	2	80	6,1	1,5	6,0	1,7	5,8	1,8	5,6	2,0	5,5	2,3
	5	70	6,4	1,5	6,3	1,7	6,1	1,8	5,9	2,0	5,8	2,3
	7	70	6,7	1,5	6,6	1,7	6,4	1,8	6,2	2,0	6,0	2,3
10	70	7,3	1,5	7,1	1,7	6,9	1,9	6,7	2,1	6,4	2,3	
15	70	8,2	1,5	8,0	1,7	7,8	1,9	7,5	2,1	7,2	2,3	
30	-20	90	5,3	1,8	5,1	2,0	5,0	2,2	*	*	*	*
	-15	90	5,7	1,8	5,5	2,0	5,4	2,2	*	*	*	*
	-10	90	6,2	1,9	6,1	2,1	6,0	2,3	5,9	2,5	*	*
	-7	90	6,7	1,9	6,6	2,1	6,4	2,3	6,3	2,5	6,3	2,8
	-5	80	6,9	1,9	6,8	2,1	6,7	2,3	6,6	2,5	6,5	2,8
	-2	80	7,5	1,9	7,3	2,1	7,2	2,3	7,1	2,6	7,0	2,9
	0	80	7,8	1,9	7,7	2,1	7,5	2,3	7,4	2,6	7,3	2,9
	2	80	8,2	1,9	8,1	2,1	7,9	2,3	7,7	2,6	7,6	2,9
	5	70	8,7	1,9	8,5	2,1	8,3	2,3	8,2	2,6	8,0	2,9
	7	70	9,1	1,9	8,9	2,1	8,7	2,3	8,6	2,6	8,4	2,9
10	70	9,8	1,9	9,6	2,1	9,4	2,3	9,2	2,6	9,0	2,9	
15	70	11,1	1,9	10,9	2,1	10,6	2,4	10,3	2,6	10,1	2,9	

P_t: Heating capacity [kW]P_a: Total power absorbed by compressor [kW]T_a: Ambient air temperature dry bulb [°C]

RH: Relative Humidity [%]

/LE HEATING CAPACITY 60Hz

Model	Ta [°C]	RH %	Inlet/outlet condenser water temperature [°C]									
			40		45		50		55		60	
			P _t	P _{comp}	P _t	P _{comp}	P _t	P _{comp}	P _t	P _{comp}	P _t	P _{comp}
9	-20	90	1,3	0,6	1,3	0,7	1,3	0,8	*	*	*	*
	-15	90	2,0	0,7	2,0	0,8	2,0	0,9	*	*	*	*
	-10	90	2,6	0,8	2,6	0,9	2,6	1,0	2,6	1,1	*	*
	-7	90	3,0	0,8	3,0	0,9	2,9	1,1	2,9	1,2	2,9	1,3
	-5	80	3,2	0,9	3,2	1,0	3,2	1,1	3,1	1,2	3,1	1,3
	-2	80	3,6	0,9	3,5	1,0	3,5	1,1	3,4	1,2	3,4	1,3
	0	80	3,8	0,9	3,7	1,0	3,7	1,1	3,6	1,2	3,6	1,3
	2	80	4,0	0,9	4,0	1,0	3,9	1,1	3,8	1,2	3,8	1,3
	5	70	4,4	0,9	4,3	1,0	4,2	1,1	4,1	1,2	4,1	1,4
	7	70	4,6	0,9	4,5	1,0	4,4	1,1	4,3	1,3	4,3	1,4
10	70	4,9	0,9	4,8	1,0	4,7	1,1	4,7	1,3	4,6	1,4	
15	70	5,5	0,9	5,4	1,0	5,3	1,1	5,2	1,3	5,1	1,4	
15	-20	90	4,1	1,4	3,8	1,4	3,9	1,5	*	*	*	*
	-15	90	4,8	1,5	4,5	1,6	4,5	1,7	*	*	*	*
	-10	90	5,5	1,6	5,2	1,6	5,2	1,8	5,3	1,9	*	*
	-7	90	6,0	1,6	5,7	1,7	5,7	1,8	5,8	2,0	5,5	2,2
	-5	80	6,3	1,6	6,0	1,7	6,0	1,9	6,0	2,0	5,9	2,2
	-2	80	6,8	1,6	6,5	1,7	6,5	1,9	6,6	2,1	6,4	2,3
	0	80	7,1	1,6	6,8	1,8	6,9	1,9	6,9	2,1	6,7	2,3
	2	80	7,5	1,6	7,2	1,8	7,2	2,0	7,3	2,2	7,0	2,4
	5	70	8,0	1,6	7,7	1,8	7,7	2,0	7,8	2,2	7,6	2,4
	7	70	8,4	1,6	8,1	1,8	8,1	2,0	8,2	2,2	7,9	2,5
10	70	9,0	1,6	8,7	1,8	8,7	2,0	8,7	2,3	8,5	2,5	
15	70	10,1	1,6	9,8	1,8	9,7	2,0	9,7	2,3	9,5	2,5	
20	-20	90	5,9	2,3	5,8	2,6	5,8	2,8	*	*	*	*
	-15	90	7,0	2,3	6,9	2,6	6,8	2,9	*	*	*	*
	-10	90	8,1	2,4	8,0	2,6	7,8	2,9	7,6	3,2	*	*
	-7	90	8,8	2,4	8,7	2,6	8,5	2,9	8,3	3,2	8,1	3,6
	-5	80	9,3	2,4	9,1	2,7	8,9	2,9	8,7	3,3	8,5	3,6
	-2	80	10,1	2,4	9,8	2,7	9,6	3,0	9,3	3,3	9,1	3,6
	0	80	10,6	2,4	10,4	2,7	10,1	3,0	9,8	3,3	9,5	3,7
	2	80	11,2	2,4	10,9	2,7	10,6	3,0	10,3	3,3	10,0	3,7
	5	70	12,0	2,4	11,7	2,7	11,4	3,0	11,1	3,3	10,7	3,7
	7	70	12,6	2,4	12,3	2,7	11,9	3,0	11,6	3,3	11,2	3,7
10	70	13,6	2,4	13,2	2,7	12,8	3,0	12,4	3,3	12,0	3,7	
15	70	15,2	2,4	14,8	2,6	14,4	2,9	13,9	3,3	13,5	3,7	
26	-20	90	7,7	2,9	7,7	3,2	7,7	3,6	*	*	*	*
	-15	90	9,2	2,9	9,1	3,2	9,0	3,6	*	*	*	*
	-10	90	10,8	3,0	10,6	3,3	10,4	3,6	10,2	4,0	*	*
	-7	90	11,8	3,0	11,6	3,3	11,3	3,7	11,0	4,1	10,8	4,5
	-5	80	12,4	3,0	12,1	3,3	11,9	3,7	11,6	4,1	11,3	4,5
	-2	80	13,4	3,0	13,1	3,3	12,8	3,7	12,4	4,1	12,1	4,6
	0	80	14,1	3,0	13,8	3,4	13,4	3,7	13,1	4,1	12,7	4,6
	2	80	14,9	3,0	14,5	3,4	14,1	3,7	13,7	4,2	13,3	4,6
	5	70	16,0	3,0	15,6	3,4	15,2	3,8	14,7	4,2	14,2	4,6
	7	70	16,8	3,0	16,4	3,4	15,9	3,8	15,4	4,2	14,9	4,7
10	70	18,0	3,0	17,6	3,4	17,1	3,8	16,5	4,2	16,0	4,7	
15	70	20,3	3,0	19,8	3,4	19,2	3,8	18,6	4,2	17,9	4,7	
30	-20	90	11,2	3,7	10,9	4,0	10,6	4,5	*	*	*	*
	-15	90	12,2	3,8	11,9	4,1	11,6	4,6	*	*	*	*
	-10	90	13,5	3,8	13,2	4,2	12,9	4,6	12,7	5,2	*	*
	-7	90	14,5	3,9	14,2	4,2	13,9	4,7	13,6	5,2	13,5	5,8
	-5	80	15,0	3,9	14,8	4,3	14,5	4,7	14,2	5,2	14,0	5,8
	-2	80	16,2	3,9	15,9	4,3	15,6	4,7	15,2	5,2	15,0	5,8
	0	80	17,0	3,9	16,7	4,3	16,3	4,7	16,0	5,3	15,7	5,9
	2	80	17,9	3,9	17,6	4,3	17,2	4,8	16,8	5,3	16,5	5,9
	5	70	19,1	3,9	18,8	4,3	18,4	4,8	18,0	5,3	17,7	5,9
	7	70	20,1	3,9	19,7	4,3	19,3	4,8	18,9	5,3	18,5	5,9
10	70	21,6	3,9	21,2	4,3	20,7	4,8	20,3	5,3	19,8	5,9	
15	70	24,3	3,9	23,9	4,3	23,3	4,8	22,8	5,3	22,2	5,9	

P_t: Heating capacity [kW]P_a: Total power absorbed by compressor [kW]T_a: Ambient air temperature dry bulb [°C]

RH: Relative Humidity [%]

/LE HEATING CAPACITY 90Hz

Model	Ta [°C]	RH %	Inlet/outlet condenser water temperature [°C]									
			40		45		50		55		60	
			P _t	P _{comp}	P _t	P _{comp}	P _t	P _{comp}	P _t	P _{comp}	P _t	P _{comp}
9	-20	90	2,2	1,1	2,1	1,2	2,1	1,3	*	*	*	*
	-15	90	3,2	1,2	3,1	1,3	3,1	1,4	*	*	*	*
	-10	90	4,1	1,3	4,0	1,4	4,0	1,6	4,0	1,7	*	*
	-7	90	4,6	1,4	4,6	1,5	4,5	1,6	4,5	1,8	4,5	1,9
	-5	80	4,9	1,4	4,9	1,5	4,8	1,7	4,8	1,8	4,8	2,0
	-2	80	5,4	1,4	5,4	1,6	5,3	1,7	5,3	1,9	5,2	2,0
	0	80	5,7	1,4	5,7	1,6	5,6	1,7	5,6	1,9	5,5	2,1
	2	80	6,1	1,5	6,0	1,6	5,9	1,8	5,9	1,9	5,8	2,1
	5	70	6,5	1,5	6,4	1,6	6,4	1,8	6,3	2,0	6,2	2,2
	7	70	6,8	1,5	6,7	1,6	6,7	1,8	6,6	2,0	6,5	2,2
10	70	7,3	1,5	7,2	1,7	7,1	1,8	7,0	2,0	7,0	2,2	
15	70	8,1	1,5	8,0	1,7	7,9	1,9	7,8	2,1	7,8	2,3	
15	-20	90	6,3	2,3	5,9	2,3	5,9	2,4	*	*	*	*
	-15	90	7,1	2,4	6,7	2,5	6,7	2,7	*	*	*	*
	-10	90	8,1	2,5	7,7	2,7	7,7	2,9	7,7	3,1	*	*
	-7	90	8,8	2,6	8,4	2,7	8,3	3,0	8,3	3,2	7,9	3,5
	-5	80	9,1	2,6	8,8	2,8	8,7	3,0	8,7	3,3	8,5	3,6
	-2	80	9,9	2,6	9,5	2,8	9,5	3,1	9,4	3,4	9,2	3,7
	0	80	10,4	2,6	10,0	2,9	9,9	3,1	9,9	3,4	9,6	3,8
	2	80	10,9	2,7	10,6	2,9	10,5	3,2	10,4	3,5	10,2	3,9
	5	70	11,5	2,7	11,2	2,9	11,1	3,2	11,0	3,6	10,7	3,9
	7	70	12,0	2,7	11,7	2,9	11,6	3,2	11,5	3,6	11,2	4,0
10	70	12,9	2,7	12,6	2,9	12,5	3,3	12,4	3,7	12,0	4,0	
15	70	14,5	2,6	14,1	3,0	14,0	3,3	13,9	3,7	13,5	4,1	
20	-20	90	8,7	3,6	8,6	4,0	8,6	4,4	*	*	*	*
	-15	90	10,2	3,7	10,1	4,1	10,0	4,5	*	*	*	*
	-10	90	11,9	3,7	11,7	4,2	11,6	4,6	11,4	5,1	*	*
	-7	90	13,0	3,8	12,8	4,2	12,6	4,7	12,3	5,2	12,2	5,7
	-5	80	13,5	3,8	13,3	4,2	13,1	4,7	12,8	5,2	12,7	5,8
	-2	80	14,7	3,8	14,4	4,2	14,1	4,7	13,8	5,2	13,6	5,8
	0	80	15,4	3,8	15,1	4,3	14,8	4,7	14,4	5,3	14,2	5,9
	2	80	16,3	3,8	15,9	4,3	15,6	4,8	15,2	5,3	14,8	5,9
	5	70	17,1	3,9	16,8	4,3	16,5	4,8	16,1	5,3	15,7	5,9
	7	70	18,0	3,9	17,6	4,3	17,2	4,8	16,8	5,3	16,4	5,9
10	70	19,4	3,9	18,9	4,3	18,4	4,8	17,9	5,3	17,5	5,9	
15	70	21,9	3,8	21,3	4,3	20,7	4,8	20,0	5,4	19,4	6,0	
26	-20	90	9,3	4,6	9,4	5,1	9,6	5,7	*	*	*	*
	-15	90	12,3	4,6	12,4	5,1	12,5	5,8	*	*	*	*
	-10	90	15,2	4,7	15,1	5,2	15,1	5,8	15,1	6,5	*	*
	-7	90	16,8	4,7	16,7	5,2	16,6	5,8	16,5	6,5	16,5	7,2
	-5	80	17,6	4,7	17,5	5,3	17,3	5,9	17,2	6,5	17,2	7,2
	-2	80	19,3	4,8	19,1	5,3	18,8	5,9	18,6	6,5	18,5	7,3
	0	80	20,2	4,8	19,9	5,3	19,7	5,9	19,5	6,6	19,3	7,3
	2	80	21,4	4,8	21,0	5,4	20,7	5,9	20,4	6,6	20,1	7,3
	5	70	22,5	4,8	22,2	5,4	21,9	6,0	21,6	6,6	21,3	7,4
	7	70	23,6	4,9	23,2	5,4	22,9	6,0	22,5	6,7	22,2	7,4
10	70	25,3	4,9	24,8	5,4	24,4	6,0	24,0	6,7	23,6	7,4	
15	70	28,4	4,9	27,9	5,4	27,3	6,0	26,6	6,7	26,1	7,5	
30	-20	90	16,6	5,8	16,2	6,3	16,0	7,0	*	*	*	*
	-15	90	17,8	5,9	17,5	6,5	17,3	7,1	*	*	*	*
	-10	90	19,5	6,0	19,2	6,6	19,1	7,2	19,0	8,0	*	*
	-7	90	20,8	6,1	20,5	6,6	20,4	7,3	20,3	8,1	20,4	9,0
	-5	80	21,5	6,1	21,2	6,6	21,1	7,3	21,0	8,1	21,1	9,0
	-2	80	23,1	6,1	22,8	6,7	22,6	7,4	22,5	8,2	22,5	9,1
	0	80	24,1	6,1	23,8	6,7	23,6	7,4	23,5	8,2	23,4	9,1
	2	80	25,3	6,1	25,0	6,7	24,8	7,4	24,6	8,2	24,5	9,1
	5	70	26,7	6,1	26,4	6,7	26,1	7,4	26,0	8,2	25,9	9,2
	7	70	27,9	6,1	27,6	6,7	27,3	7,5	27,1	8,3	27,0	9,2
10	70	30,0	6,1	29,6	6,7	29,3	7,5	29,0	8,3	28,7	9,2	
15	70	33,8	6,1	33,4	6,8	32,9	7,5	32,5	8,3	32,1	9,2	

P_t: Heating capacity [kW]P_a: Total power absorbed by compressor [kW]T_a: Ambient air temperature dry bulb [°C]

RH: Relative Humidity [%]

/LE HEATING CAPACITY 120Hz

Model	Ta [°C]	RH %	Inlet/outlet condenser water temperature [°C]									
			40		45		50		55		60	
			P _t	P _{comp}	P _t	P _{comp}	P _t	P _{comp}	P _t	P _{comp}	P _t	P _{comp}
9	-20	90	3,7	1,5	3,7	1,6	3,8	1,8	*	*	*	*
	-15	90	4,6	1,6	4,6	1,8	4,6	1,9	*	*	*	*
	-10	90	5,6	1,7	5,5	1,9	5,5	2,1	5,3	2,2	*	*
	-7	90	6,1	1,8	6,1	2,0	6,0	2,1	5,8	2,3	5,6	2,4
	-5	80	6,4	1,8	6,3	2,0	6,2	2,2	6,1	2,3	5,9	2,5
	-2	80	7,0	1,9	6,9	2,0	6,8	2,2	6,6	2,4	6,3	2,6
	0	80	7,4	1,9	7,2	2,1	7,1	2,3	6,9	2,4	6,7	2,6
	2	80	7,8	1,9	7,6	2,1	7,5	2,3	7,3	2,5	7,0	2,6
	5	70	8,2	1,9	8,1	2,1	7,9	2,3	7,7	2,5	7,5	2,7
	7	70	8,5	2,0	8,4	2,1	8,3	2,3	8,1	2,5	7,8	2,7
10	70	9,2	2,0	9,0	2,2	8,8	2,4	8,6	2,6	8,4	2,8	
15	70	10,3	2,0	10,1	2,2	10,0	2,4	9,7	2,7	9,4	2,9	
15	-20	90	7,4	2,7	7,4	2,9	*	*	*	*	*	*
	-15	90	8,4	2,9	8,3	3,1	8,4	3,4	*	*	*	*
	-10	90	9,6	3,1	9,5	3,3	9,5	3,6	9,6	3,9	*	*
	-7	90	10,5	3,2	10,4	3,4	10,3	3,7	10,3	4,1	10,3	4,5
	-5	80	11,0	3,2	10,8	3,5	10,7	3,8	10,7	4,2	10,8	4,6
	-2	80	11,9	3,3	11,7	3,6	11,6	3,9	11,6	4,3	11,7	4,8
	0	80	12,5	3,4	12,3	3,7	12,2	4,0	12,2	4,4	12,2	4,9
	2	80	13,1	3,4	13,0	3,7	12,8	4,1	12,8	4,5	12,8	4,9
	5	70	13,9	3,4	13,7	3,8	13,6	4,1	13,5	4,6	13,5	5,0
	7	70	14,6	3,5	14,4	3,8	14,2	4,2	14,1	4,6	14,1	5,1
10	70	15,7	3,5	15,5	3,9	15,3	4,3	15,2	4,7	15,1	5,2	
15	70	17,5	3,5	17,3	3,9	17,2	4,3	17,0	4,8	16,9	5,4	
20	-20	90	11,4	5,0	11,5	5,6	11,5	6,2	*	*	*	*
	-15	90	13,4	5,1	13,4	5,7	13,4	6,4	*	*	*	*
	-10	90	15,5	5,3	15,4	5,8	15,3	6,5	15,2	7,2	*	*
	-7	90	16,9	5,3	16,8	5,9	16,6	6,6	16,4	7,3	16,3	8,1
	-5	80	17,6	5,3	17,4	5,9	17,2	6,6	17,0	7,3	16,9	8,2
	-2	80	19,1	5,4	18,9	6,0	18,6	6,7	18,3	7,4	18,1	8,2
	0	80	20,0	5,4	19,8	6,0	19,4	6,7	19,0	7,4	18,8	8,3
	2	80	21,0	5,4	20,7	6,0	20,4	6,7	20,0	7,5	19,7	8,3
	5	70	22,3	5,4	21,9	6,1	21,4	6,7	21,0	7,5	20,6	8,3
	7	70	23,3	5,5	22,9	6,1	22,4	6,8	21,9	7,5	21,4	8,4
10	70	25,0	5,5	24,6	6,1	24,0	6,8	23,4	7,5	22,9	8,4	
15	70	28,0	5,5	27,5	6,1	26,9	6,8	26,1	7,6	25,4	8,4	
26	-20	90	15,3	6,5	15,5	7,3	15,6	8,1	*	*	*	*
	-15	90	17,9	6,6	17,9	7,3	17,9	8,2	*	*	*	*
	-10	90	20,6	6,7	20,5	7,4	20,3	8,3	20,2	9,2	*	*
	-7	90	22,4	6,7	22,2	7,5	22,0	8,3	21,7	9,3	21,7	10,3
	-5	80	23,4	6,8	23,1	7,5	22,8	8,4	22,5	9,3	22,4	10,3
	-2	80	25,3	6,8	25,0	7,6	24,6	8,4	24,2	9,3	23,9	10,4
	0	80	26,5	6,9	26,2	7,6	25,7	8,5	25,1	9,4	24,8	10,4
	2	80	27,7	6,9	27,4	7,7	26,9	8,5	26,4	9,4	26,0	10,5
	5	70	29,4	6,9	29,0	7,7	28,3	8,5	27,7	9,5	27,3	10,5
	7	70	30,8	6,9	30,2	7,7	29,6	8,6	28,9	9,5	28,4	10,6
10	70	33,0	6,9	32,4	7,7	31,7	8,6	30,9	9,6	30,1	10,6	
15	70	36,9	6,9	36,2	7,8	35,4	8,6	34,5	9,6	33,6	10,7	
30	-20	90	*	*	*	*	*	*	*	*	*	*
	-15	90	23,4	8,2	23,0	9,0	22,6	9,9	*	*	*	*
	-10	90	25,4	8,4	25,1	9,2	24,8	10,1	24,6	11,3	*	*
	-7	90	27,1	8,5	26,7	9,2	26,4	10,2	26,2	11,4	26,3	12,7
	-5	80	28,0	8,5	27,7	9,3	27,3	10,2	27,0	11,4	27,1	12,7
	-2	80	29,9	8,5	29,6	9,3	29,2	10,3	28,9	11,5	28,9	12,8
	0	80	31,2	8,5	30,9	9,4	30,5	10,4	30,2	11,5	30,0	12,8
	2	80	32,6	8,6	32,3	9,4	31,9	10,4	31,5	11,6	31,4	12,9
	5	70	34,5	8,6	34,1	9,4	33,6	10,4	33,2	11,6	32,9	12,9
	7	70	36,1	8,6	35,7	9,5	35,0	10,5	34,6	11,6	34,3	12,9
10	70	38,6	8,6	38,2	9,5	37,6	10,5	37,0	11,7	36,6	13,0	
15	70	43,2	8,5	42,7	9,5	42,0	10,6	41,3	11,7	40,7	13,0	

P_t: Heating capacity [kW]P_a: Total power absorbed by compressor [kW]T_a: Ambient air temperature dry bulb [°C]

RH: Relative Humidity [%]

NOISE LEVELS - (90 rps)

MODEL	Octave bands [dB]																Totale [dB(A)]	
	63 [dB]		125 [dB]		250 [dB]		500 [dB]		1000 [dB]		2000 [dB]		4000 [dB]		8000 [dB]		Lw	Lp
	Lw	Lp	Lw	Lp	Lw	Lp	Lw	Lp	Lw	Lp	Lw	Lp	Lw	Lp	Lw	Lp	Lw	Lp
9	71,5	40,5	73,0	41	71,5	39	69,0	36	64,0	30,5	59,0	25	54,0	19,5	45,0	10	70	39
15	74,5	43,5	74,5	42,5	75,0	42,5	70,0	37	65,5	32	62,0	28	55,5	21	48,5	13,5	72	41
20	78,0	47,0	77,0	46	77,0	45	73,5	41	67,0	34	64,0	30,5	59,5	25,5	51,5	17	75	44
26	79,5	47,5	78,5	46,5	77,5	45	74,5	41,5	68,5	35	64,0	30,5	59,0	25	52,5	17,5	75	44
30	80,0	48,0	80,0	48	78,5	46	75,0	42	70,0	36,5	65,0	31	60,5	26	53,0	18	76	45

Headphone Compressor of series

Lw: sound power values measured in free field calculated according to standard ISO 3744.

Lp: sound power values measured in free field calculated according to standard ISO 3744.

NOISE LEVELS - /LN (90 rps)

MODEL	Octave bands [dB]																Totale [dB(A)]	
	63 [dB]		125 [dB]		250 [dB]		500 [dB]		1000 [dB]		2000 [dB]		4000 [dB]		8000 [dB]		Lw	Lp
	Lw	Lp	Lw	Lp	Lw	Lp	Lw	Lp	Lw	Lp	Lw	Lp	Lw	Lp	Lw	Lp	Lw	Lp
9	67,5	40,5	69,5	41	68,5	39	66	36	61,5	30,5	57	25	53	19,5	45	10	67	36
15	70,5	43,5	71	42,5	72	42,5	67	37	63	32	60	28	54,5	21	48,5	13,5	69	38
20	74	47	73,5	46	74	45	70,5	41	64,5	34	62	30,5	58,5	25,5	51,5	17	72	41
26	75,5	47,5	75	46,5	74,5	45	71,5	41,5	66	35	62	30,5	58	25	52,5	17,5	73	42
30	76	48	76,5	48	75,5	46	72	42	67,5	36,5	63	31	59,5	26	53	18	74	43

Compared to the standard unit has more panels compressor compartment with sound-absorbing material

Lw: sound power values measured in free field calculated according to standard ISO 3744.

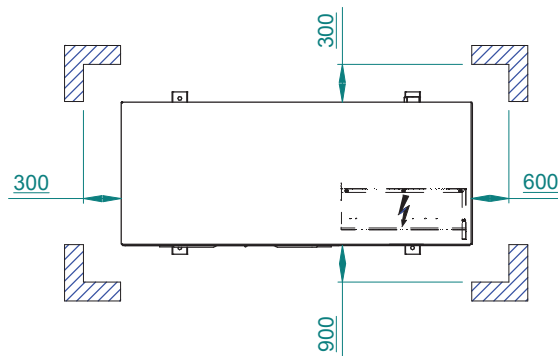
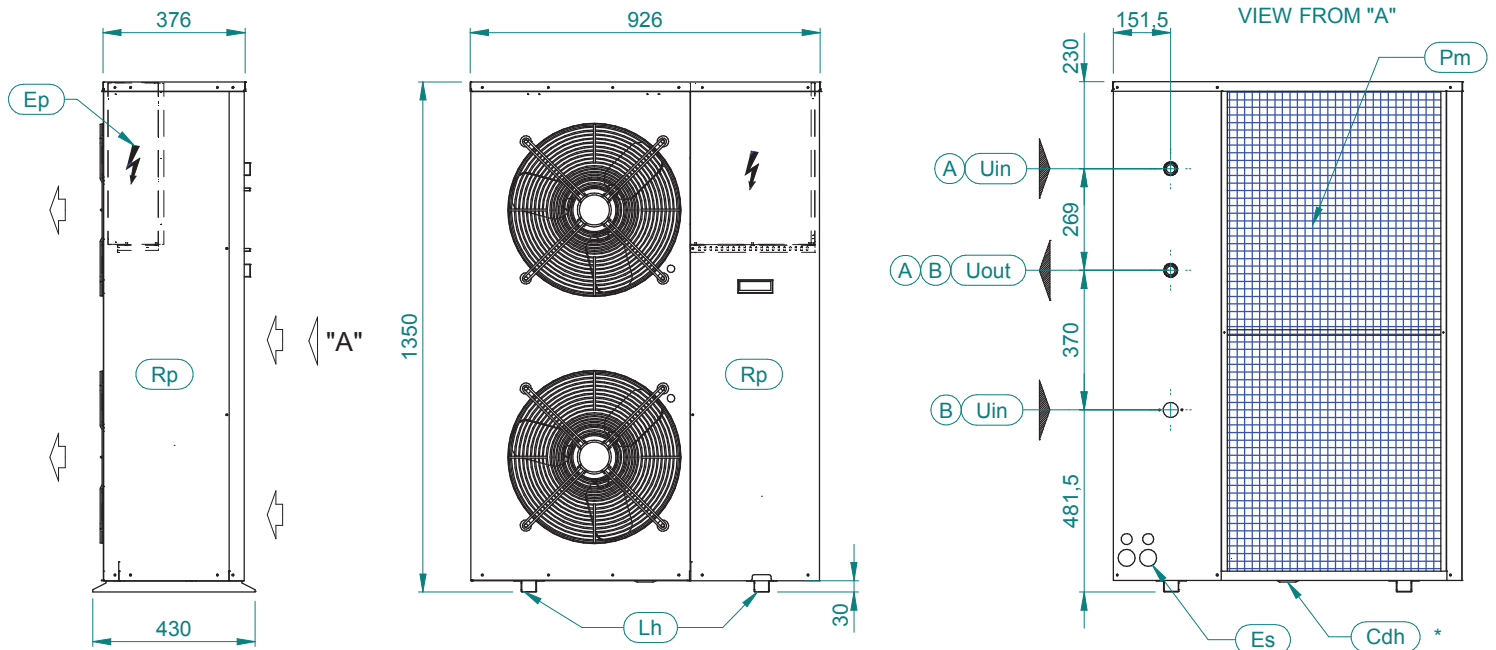
Lp: sound power values measured in free field calculated according to standard ISO 3744.

DIMENSIONAL DRAWING

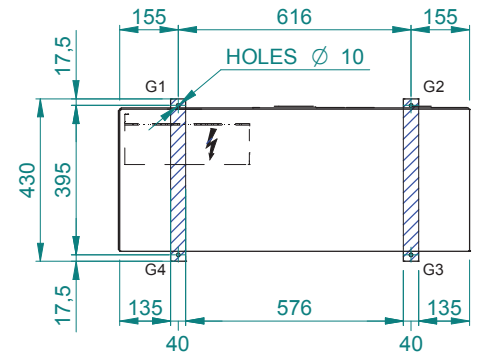
Dimensional diagram Epsilon Echos+

C413206 - A

9-15-1P



CLEARANCES



FOOTPRINT

MODEL	WEIGHT(Kg)	OPERATING WEIGHT(Kg)	G1(Kg)	G2(Kg)	G3(Kg)	G4(Kg)
EPSILON ECHOS PLUS 9 CH	153	154	38	17	29	70
EPSILON ECHOS PLUS 15 CH	156	157	40	17	29	71
EPSILON ECHOS PLUS 9 CH_1P	163	166	46	18	28	74
EPSILON ECHOS PLUS 15 CH_1P	168	171	48	18	28	77
EPSILON ECHOS PLUS 9 HP	166	167	42	19	32	74
EPSILON ECHOS PLUS 15 HP	168	169	43	19	32	75
EPSILON ECHOS PLUS 9 HP_1P	177	179	50	20	31	79
EPSILON ECHOS PLUS 15 HP_1P	181	184	51	21	31	81

HYDRAULIC CONNECTIONS

- (A) WITHOUT HYDRAULIC MODULE
- (B) HYDRAULIC MODULE ST1P

NOTE

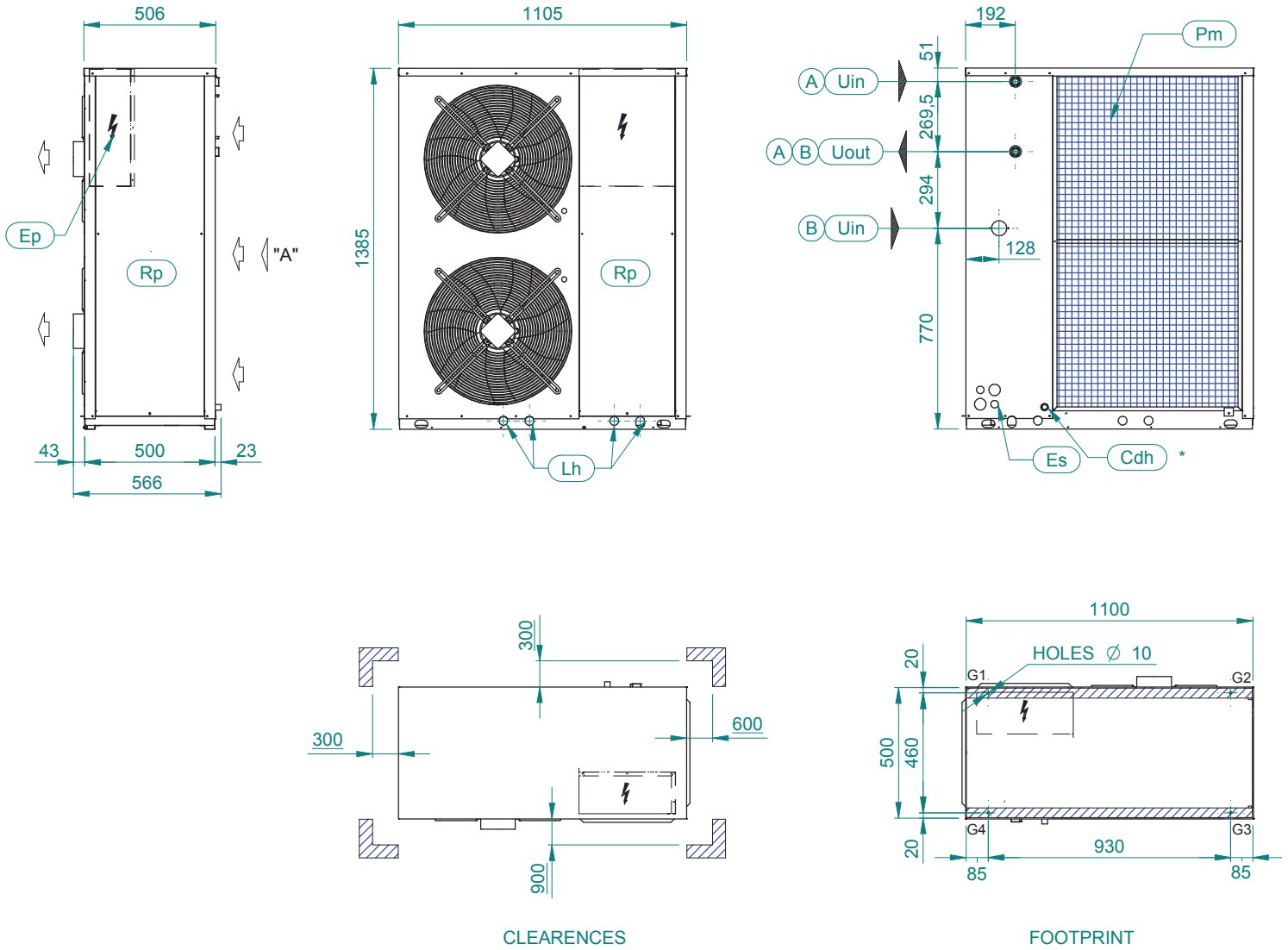
(Cdh) * ONLY ON HP VERSION (ø18 mm)

Uin	Uout
A - B	A - B
G 1" M	G 1" M

Dimensional diagram Epsilon Echos+
20-1P

C413207 - A

VIEW FROM "A"



MODEL	WEIGHT(Kg)	OPERATING WEIGHT(Kg)	G1(Kg)	G2(Kg)	G3(Kg)	G4(Kg)
EPSILON ECHOS PLUS 20 CH	226	227	57	35	51	84
EPSILON ECHOS PLUS 20 CH_1P	239	242	64	37	51	90
EPSILON ECHOS PLUS 20 HP	239	240	59	36	54	91
EPSILON ECHOS PLUS 20 HP_1P	254	257	67	37	54	99

HYDRAULIC CONNECTIONS

- (A) WITHOUT HYDRAULIC MODULE
- (B) HYDRAULIC MODULE ST1P

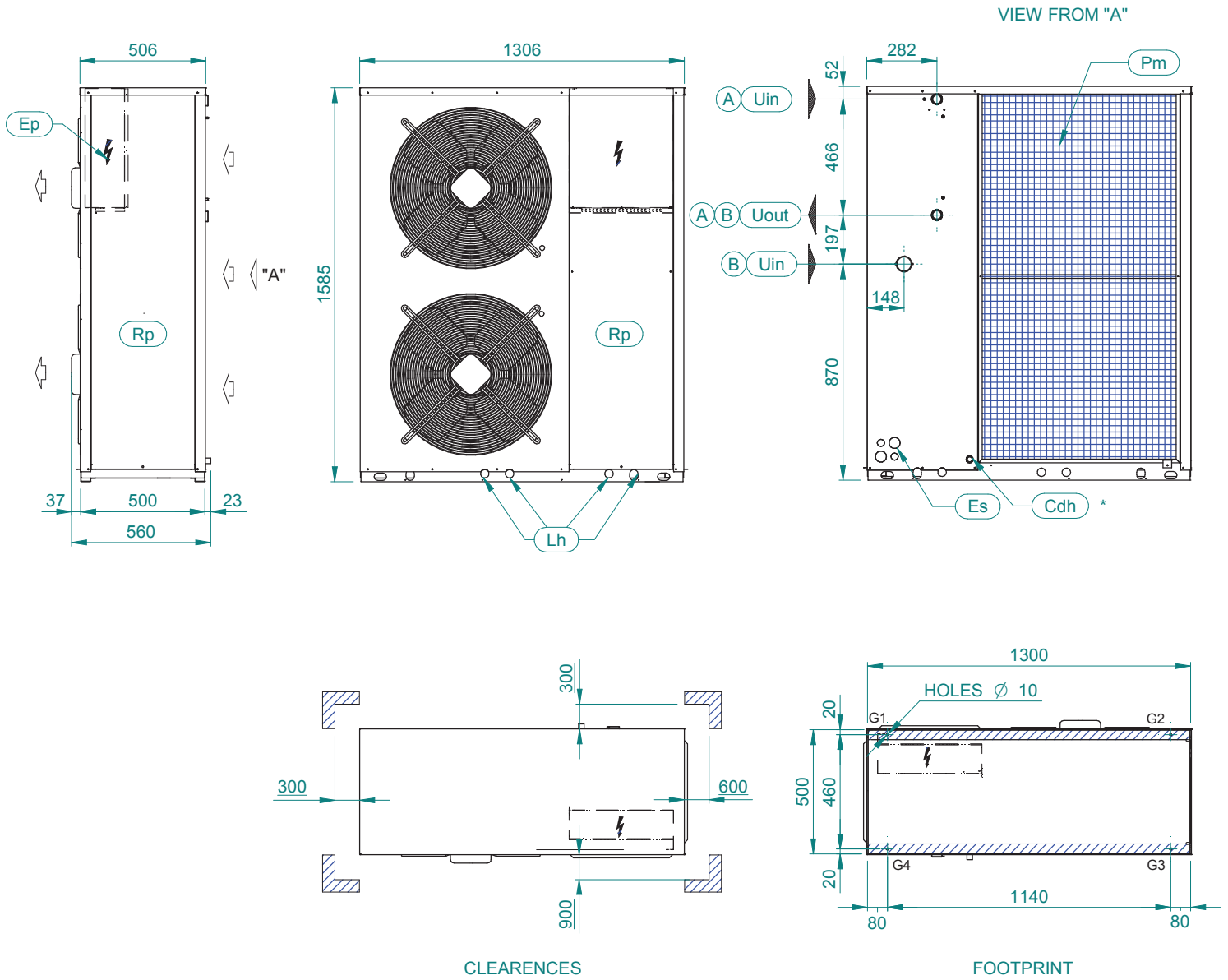
NOTE

(Cdh) * OPTIONAL (ø22 mm)

Uin		Uout
A	B	A - B
1" M	1" 1/4 F	1" M

Dimensional diagram Epsilon Echos+
26-30 -1P

C413208 - A



HYDRAULIC CONNECTIONS

- (A) WITHOUT HYDRAULIC MODULE
- (B) HYDRAULIC MODULE ST1P

MODEL	WEIGHT(Kg)	OPERATING WEIGHT(Kg)	G1(Kg)	G2(Kg)	G3(Kg)	G4(Kg)
EPSILON ECHOS PLUS 26 CH	272	272	78	41	52	101
EPSILON ECHOS PLUS 30 CH	273	273	82	45	51	95
EPSILON ECHOS PLUS 26 CH_1P	292	297	93	44	50	110
EPSILON ECHOS PLUS 30 CH_1P	294	299	97	49	50	104
EPSILON ECHOS PLUS 26 HP	291	291	83	45	56	108
EPSILON ECHOS PLUS 30 HP	292	292	87	49	55	102
EPSILON ECHOS PLUS 26 HP_1P	310	215	98	47	54	117
EPSILON ECHOS PLUS 30 HP_1P	312	317	102	51	54	111

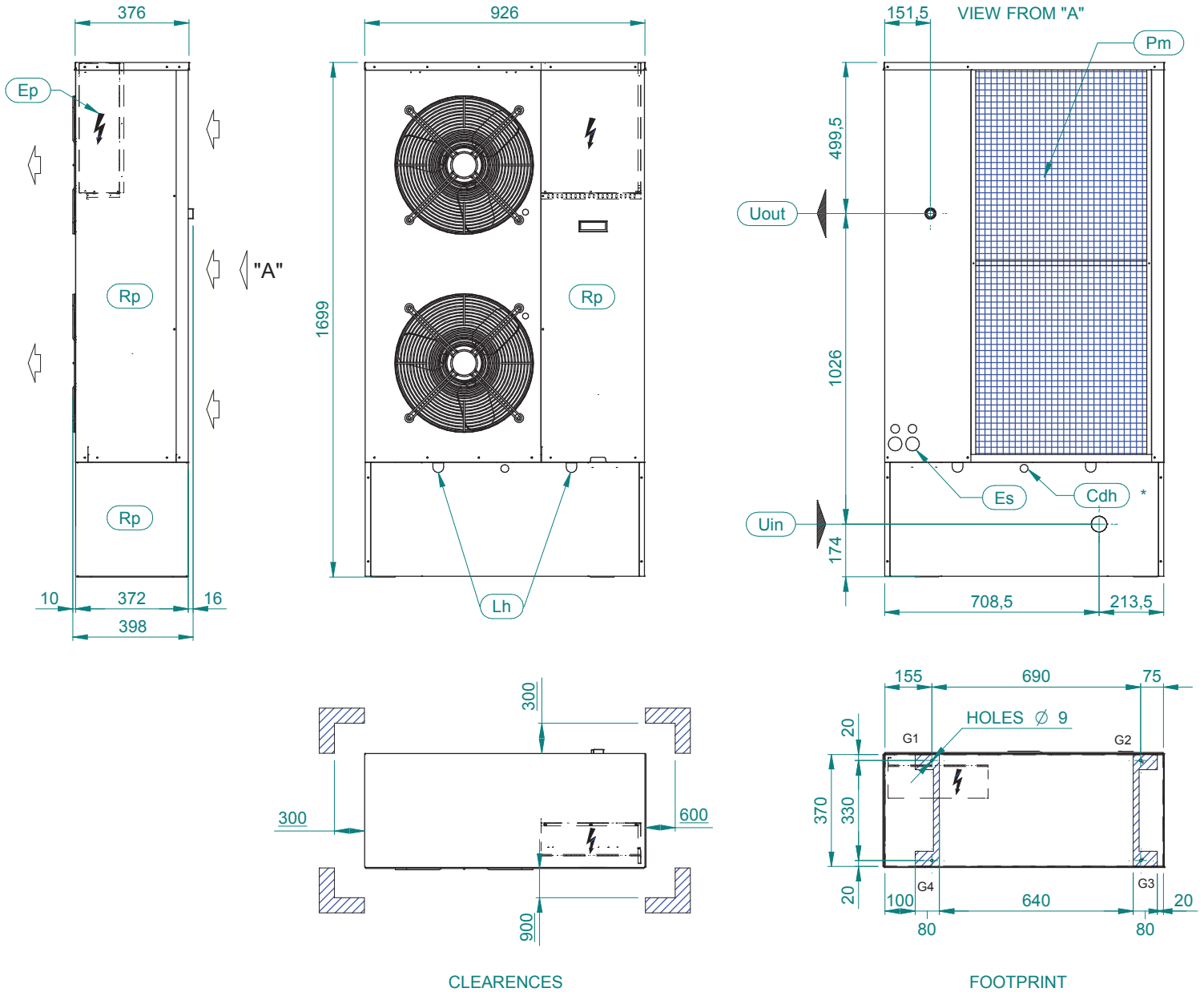
NOTE

(Cdh) * OPTIONAL (ø22 mm)

Uin		Uout
A	B	A - B
G 1"1/4 M	G 1"1/4 F	G 1"1/4 M

Dimensional diagram Epsilon Echos+
9-15 1PS

C413209 - A



MODEL	WEIGHT(Kg)	OPERATING WEIGHT(Kg)	G1(Kg)	G2(Kg)	G3(Kg)	G4(Kg)
EPSILON ECHOS PLUS 9 CH_1PS	194	267	85	40	45	97
EPSILON ECHOS PLUS 15 CH_1PS	200	273	88	41	45	99
EPSILON ECHOS PLUS 9 HP_1PS	208	281	90	43	47	101
EPSILON ECHOS PLUS 15 HP_1PS	210	283	91	43	47	102

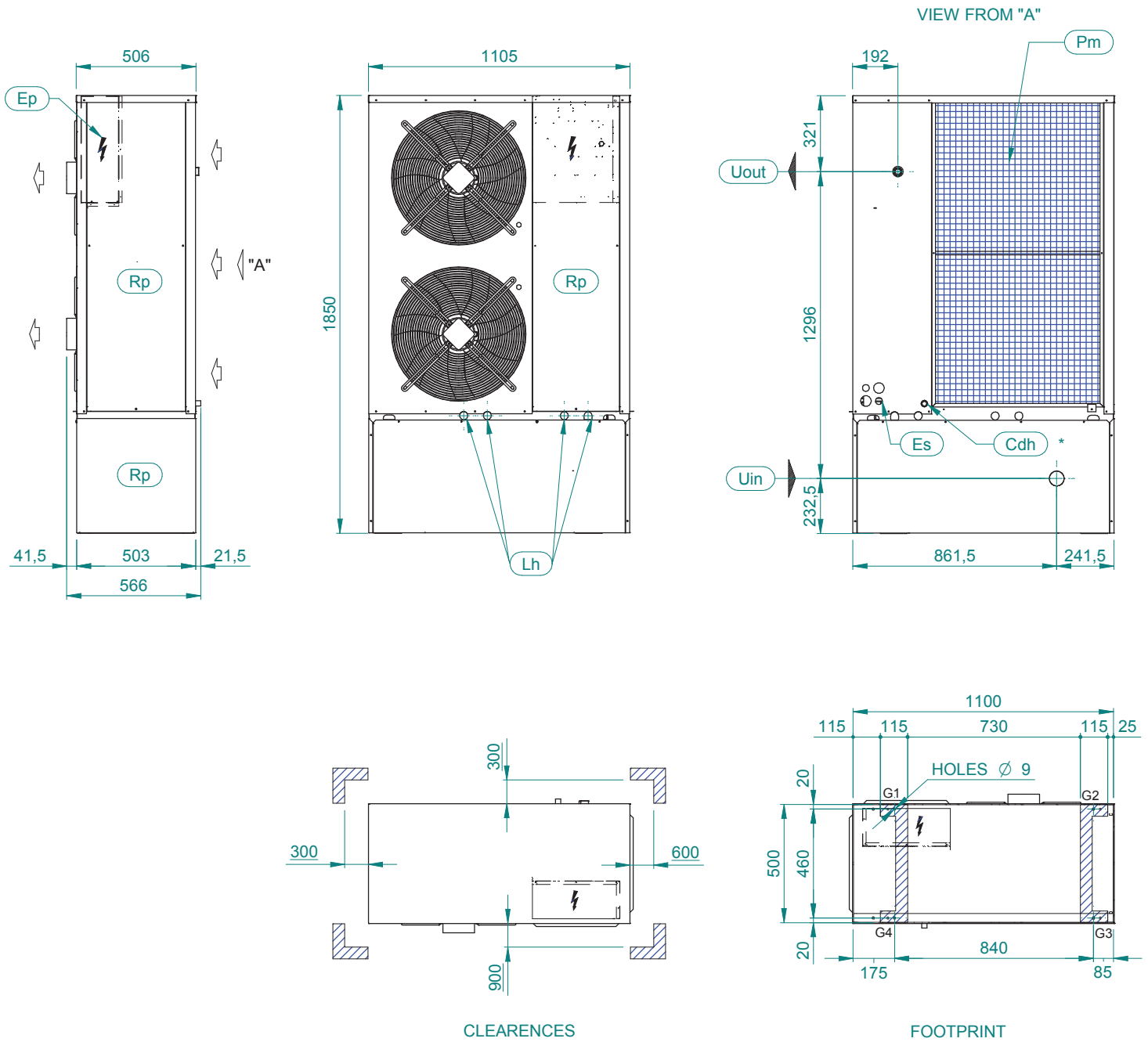
NOTE

(Cdh) * ONLY ON HP VERSION
(ø18 mm)

Uin	Uout
G 1" F	G 1" M

Dimensional diagram Epsilon Echos+
20 1PS

C413210 - A



MODEL	WEIGHT(Kg)	OPERATING WEIGHT(Kg)	G1(Kg)	G2(Kg)	G3(Kg)	G4(Kg)
EPSILON ECHOS PLUS 20 CH_1PS	293	426	121	68	86	151
EPSILON ECHOS PLUS 20 HP_1PS	310	443	125	70	87	159

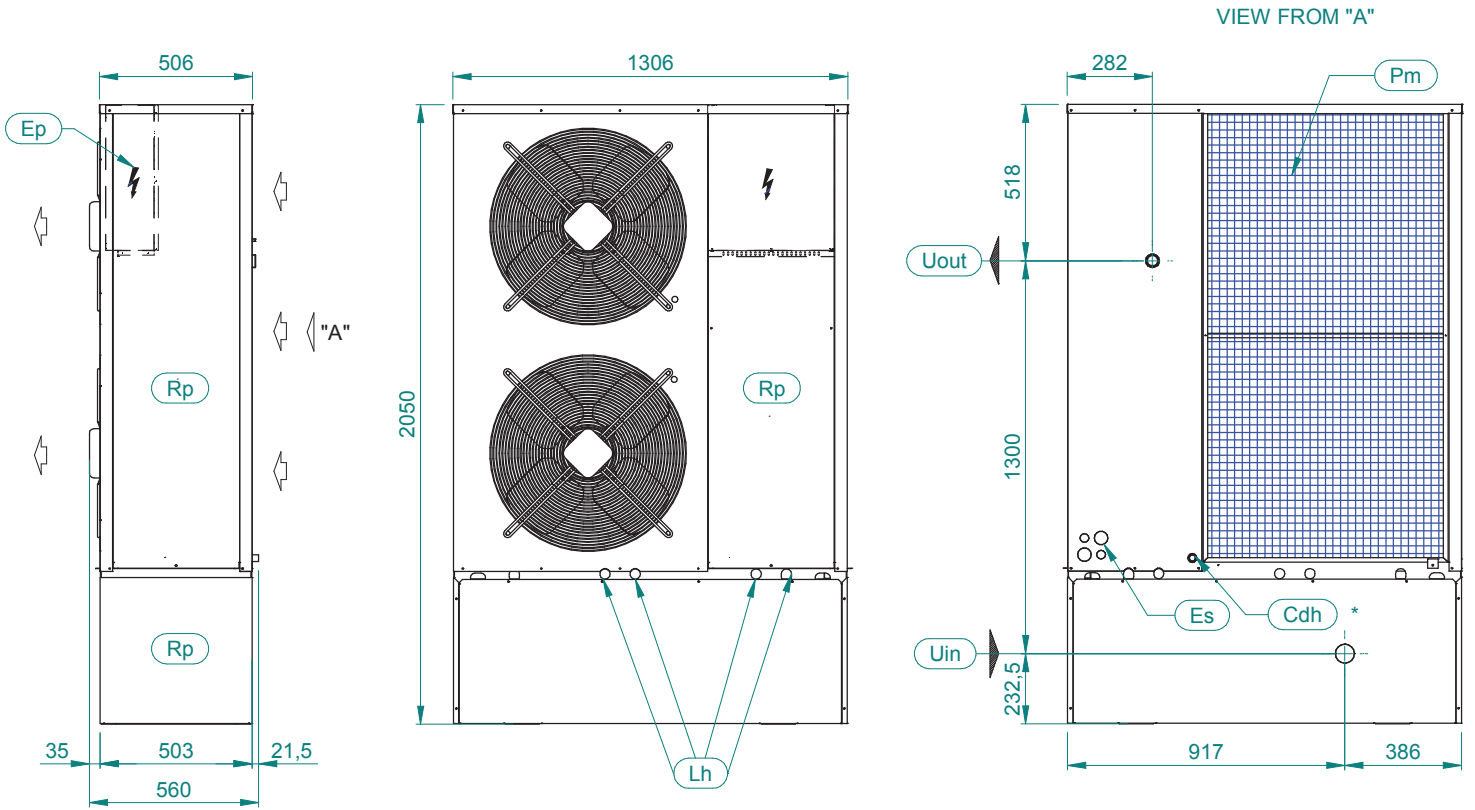
NOTE

(Cdh) * OPTIONAL (ø22 mm)

Uin	Uout
G 1" 1/4 F	G 1" M

Dimensional diagram Epsilon Echos+
26-30 1PS

C413211 - A



CLEARANCES

FOOTPRINT

MODEL	WEIGHT(Kg)	OPERATING WEIGHT(Kg)	G1(Kg)	G2(Kg)	G3(Kg)	G4(Kg)
EPSILON ECHOS PLUS 26 CH_1PS	350	485	149	80	90	166
EPSILON ECHOS PLUS 30 CH_1PS	352	487	153	85	89	160
EPSILON ECHOS PLUS 26 HP_1PS	369	504	155	83	93	173
EPSILON ECHOS PLUS 30 HP_1PS	370	505	158	87	93	167

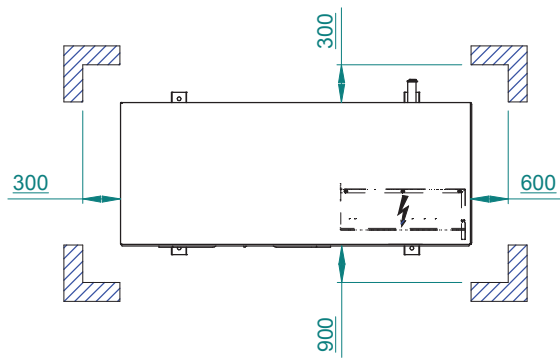
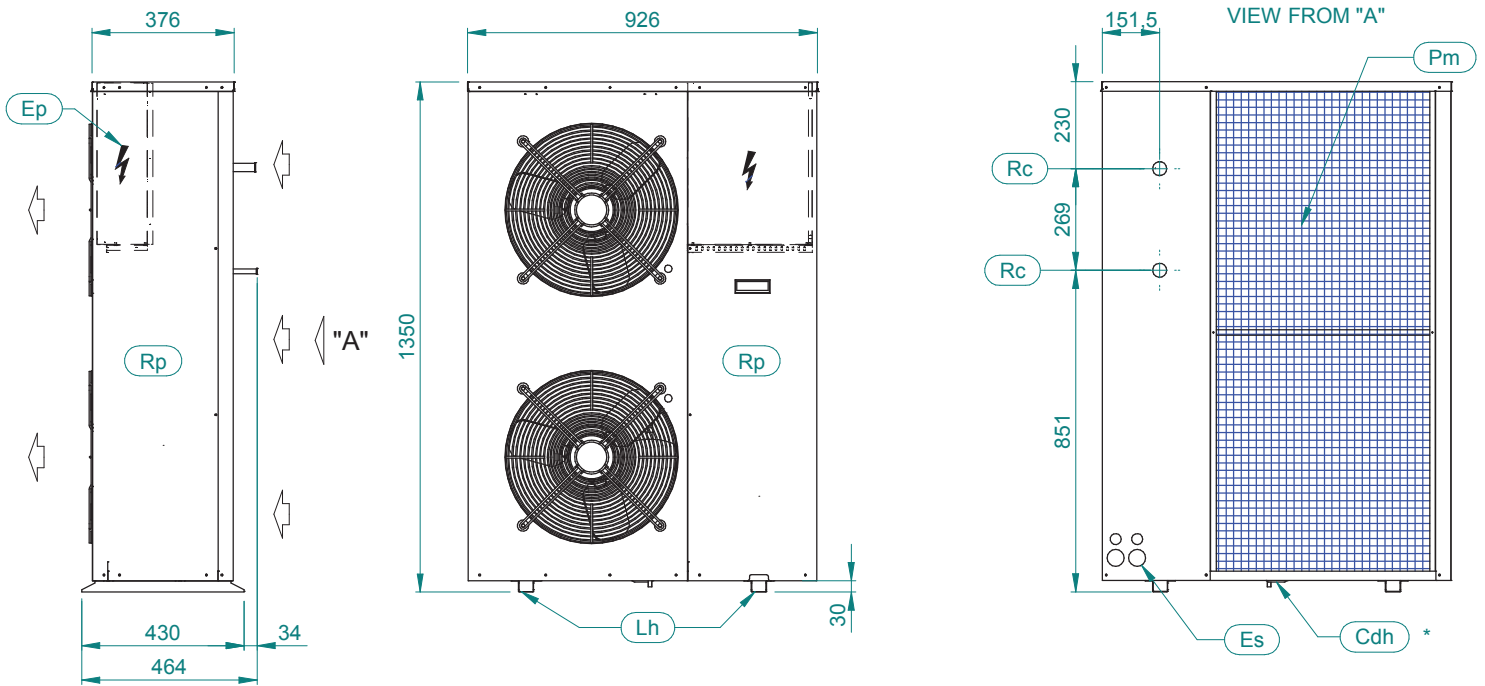
NOTE

(Cdh) * OPTIONAL (ø22 mm)

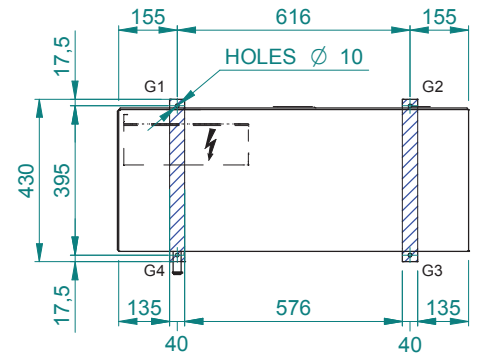
Uin	Uout
G 1"1/4 F	G 1"1/4 M

**Dimensional diagram Epsilon Echos+
LE-LE/HP 9-15**

C413212 - A



CLEARANCES



FOOTPRINT

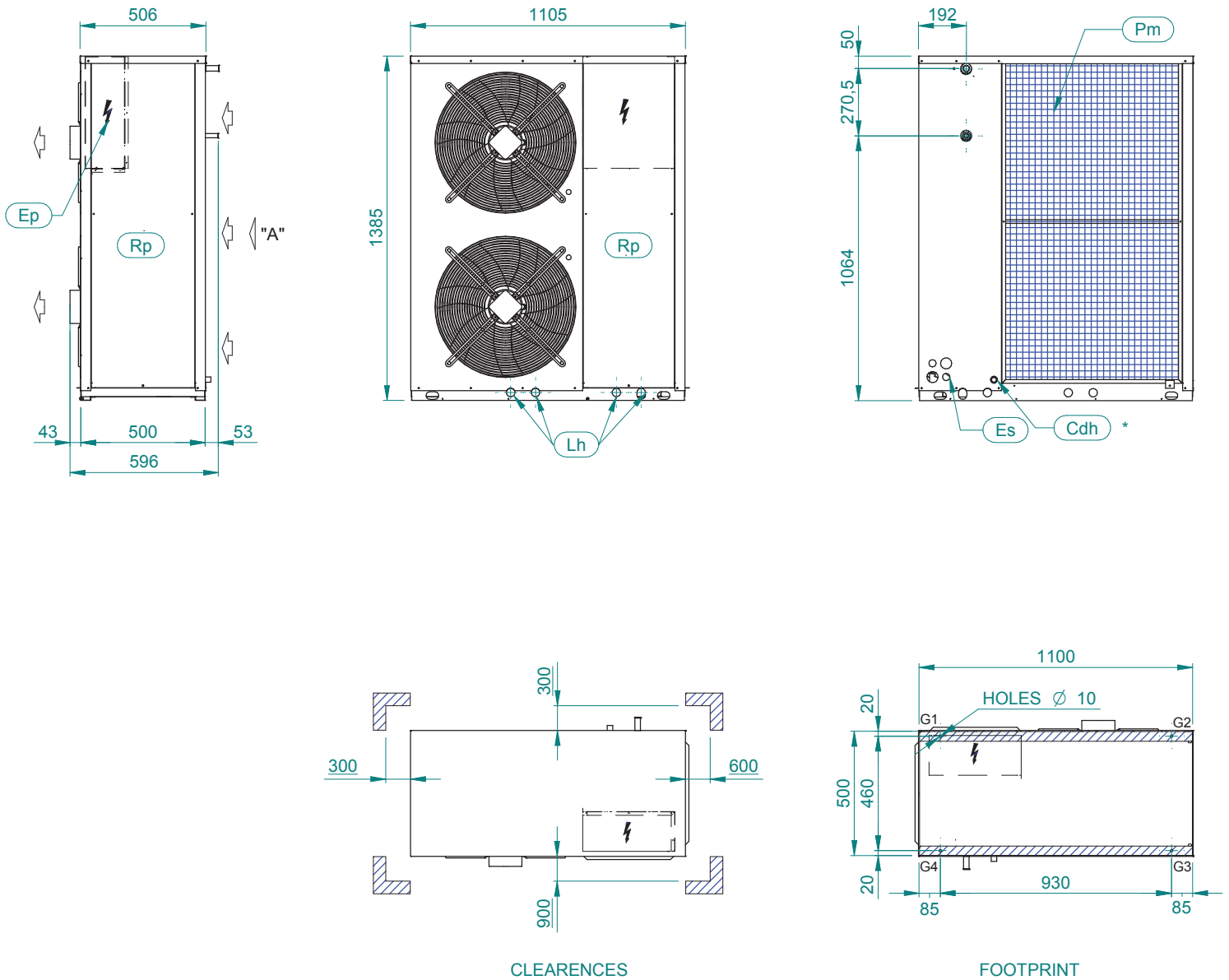
MODEL	WEIGHT(Kg)	OPERATING WEIGHT(Kg)	G1(Kg)	G2(Kg)	G3(Kg)	G4(Kg)
EPSILON ECHOS PLUS 9 LE	144	144	32	15	32	65
EPSILON ECHOS PLUS 15 LE	148	148	33	16	32	67
EPSILON ECHOS PLUS 9 LE/HP	157	157	35	18	35	68
EPSILON ECHOS PLUS 15 LE/HP	159	159	36	18	35	70

NOTE

(Cdh) * ONLY ON HP VERSION (ø18 mm)

Dimensional diagram Epsilon Echos+
LE-LE/HP 20

C413213 - A



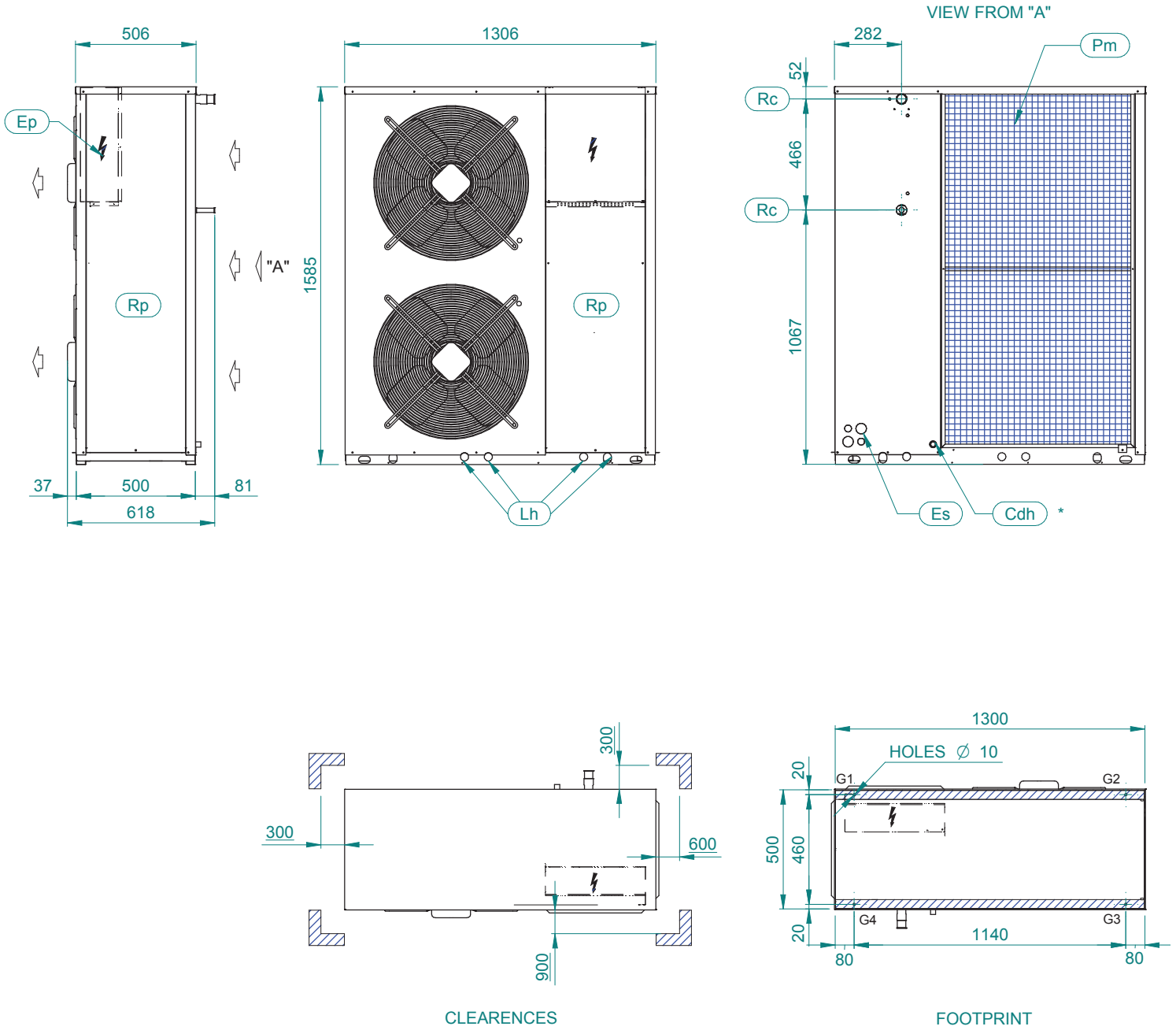
MODEL	WEIGHT(Kg)	OPERATING WEIGHT(Kg)	G1(Kg)	G2(Kg)	G3(Kg)	G4(Kg)
EPSILON ECHOS PLUS 20 LE	210	210	46	30	53	81
EPSILON ECHOS PLUS 20 LE/HP	223	223	49	32	56	86

NOTE

(Cdh) * OPTIONAL (ø22 mm)

Dimensional diagram Epsilon Echos+
LE-LE/HP 26-30

C413214 - A



MODEL	WEIGHT(Kg)	OPERATING WEIGHT(Kg)	G1(Kg)	G2(Kg)	G3(Kg)	G4(Kg)
EPSILON ECHOS PLUS 26 LE	248	248	64	36	54	94
EPSILON ECHOS PLUS 30 LE	249	249	68	40	53	88
EPSILON ECHOS PLUS 26 LE/HP	265	265	68	39	58	100
EPSILON ECHOS PLUS 30 LE/HP	266	266	72	43	57	94

NOTE

(Cdh) * OPTIONAL (ø22 mm)



Swegon Operations s.r.l.

Via Valletta, 5 - 30010

Cantarana di Cona, (VE) Italy - T. +39 0426 921111 - F. +39 0426 302222

www.blueboxcooling.com - info@swegon.it

Swegon Operations s.r.l. a socio unico - P.IVA 02481290282

Società soggetta all'attività di direzione e coordinamento da parte della Investment Latour Svezia

