

ORTO_d

Installation – Commissioning – Maintenance

20210120

Accessories

Wall sleeve:

VGR. Rectangular telescopic wall sleeve made of galvanized sheet steel.

Installation

Cut the opening according to the dimensions table. Secure the mounting frame with screws to the wall over the cut opening. Mount the baffles onto the mounting frame as illustrated in figure 1.

If a wall sleeve is used, it can be secured to the mounting frame or the wall structure. Pull the wall sleeve apart or push it together to adjust it to the thickness of the relevant wall.

Maintenance

Clean the baffle and sound absorbing material, if necessary, using a vacuum cleaner with a brush nozzle or with lukewarm water and dishwashing detergent.

The whole sound absorbing material can be replaced if necessary.

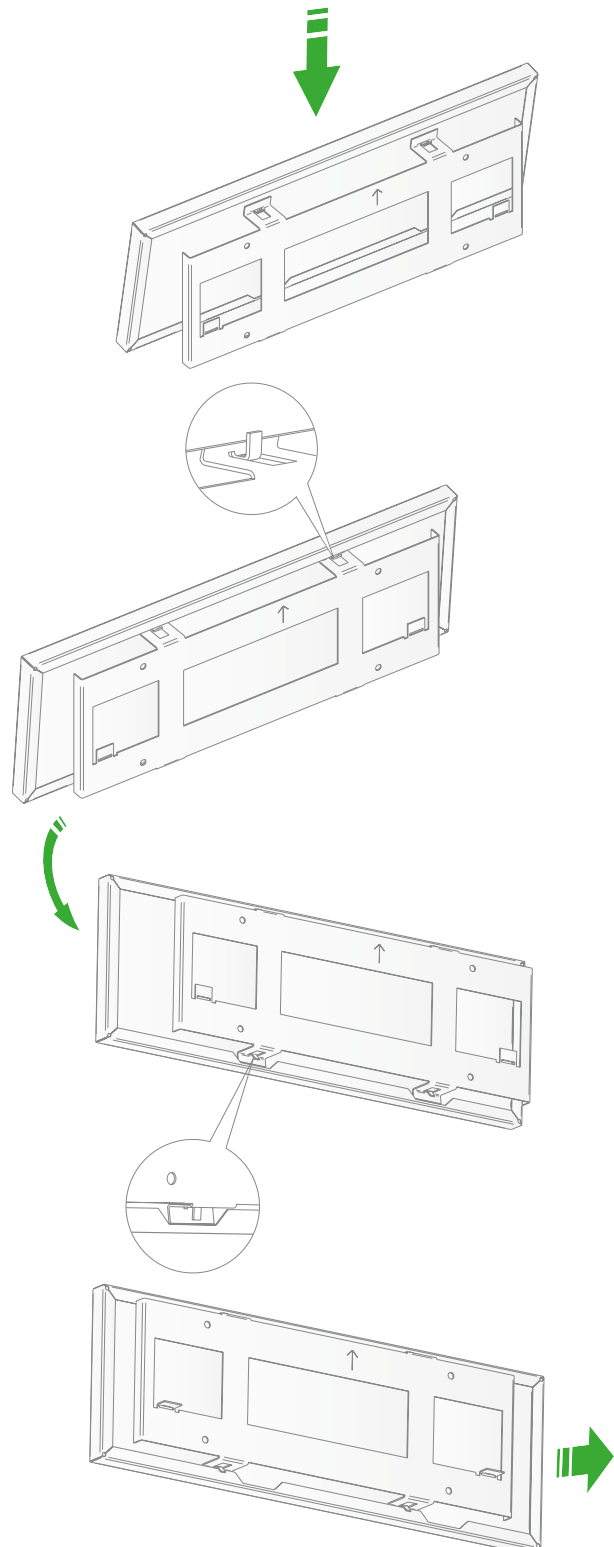


Figure 1. Installation.

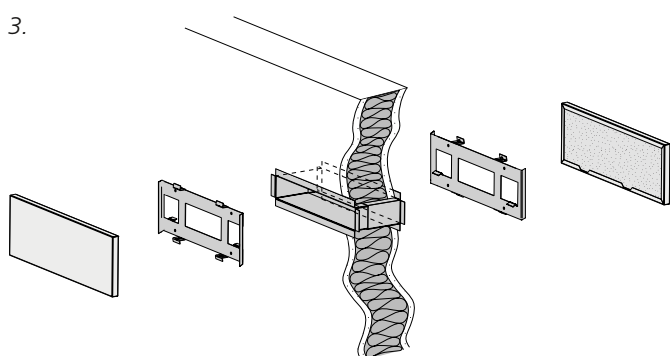
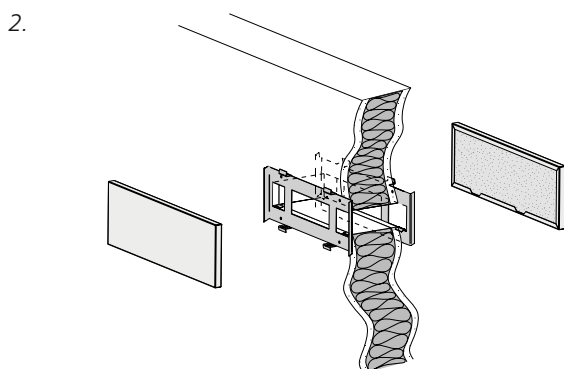
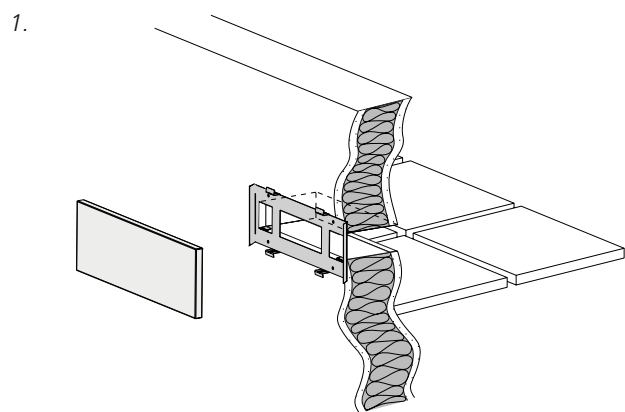


Figure 2. Application options.
 1. Concealed installation towards a corridor.
 2. Visible installation towards a corridor. Double ORTO.
 3. As in (2), but with VGR wall sleeve.

Dimensions and weights

ORTO

Size	Dimensions (mm)		Weight (kg)*
	A	I	
300	380	300	1,08
500	580	500	1,62
700	780	700	2,14
800	880	800	2,46

Size of opening, ORTO = I x 50.

*Weight refers to 2 units.

VGR

Size	Dimensions (mm)			Weight (kg)*
	F	G	H	
300	300	50	80-160	0,75
500	500	50	80-160	1,15
700	700	50	80-160	1,60
800	800	50	80-160	1,80

Size of opening, VGR = (F + 5 mm) x (G + 5 mm).

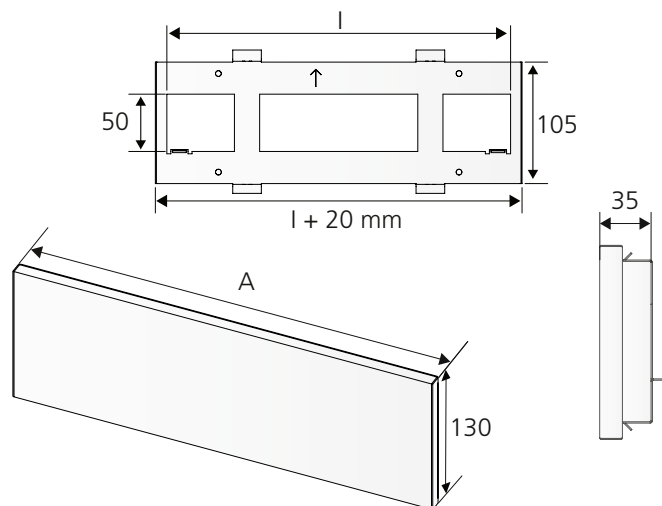


Figure 3. ORTO, dimensions.

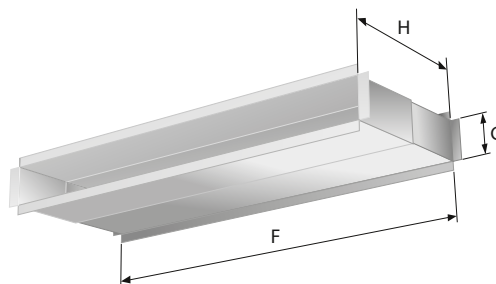


Figure 4. VGR, dimensions.