

IBIS Wall a

Installation – Commissioning – Maintenance

20150617

Installation

The duct diffuser is to be mounted where the wall meets the ceiling and can be secured to the wall or ceiling with screws. For connection in the side, first remove the end cover then mount the double insertion joint, supplied, between the duct and the air diffuser; see figure 3a. For connection in the rear side, do not use the insertion joint supplied, instead see figure 2a. If installing two air diffusers in the same room, dock both air diffusers with one of the double insertion joints, supplied, then mount the double insertion joint, supplied, between the connecting duct and the air diffuser. See figure 4.

Commissioning

A flow measuring damper installed in the duct system upstream of the duct diffuser is recommended for commissioning and airflow measurements.

Maintenance

The air diffuser can be cleaned, if necessary, using luke-warm water with dishwashing detergent added or by vacuum cleaning using a brush nozzle.

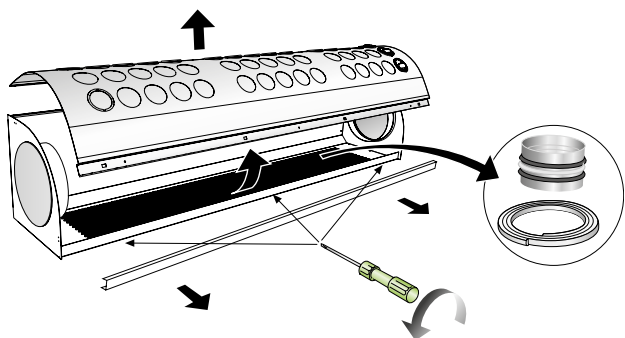


Figure 1. IBIS W, disassembly of the front plate.

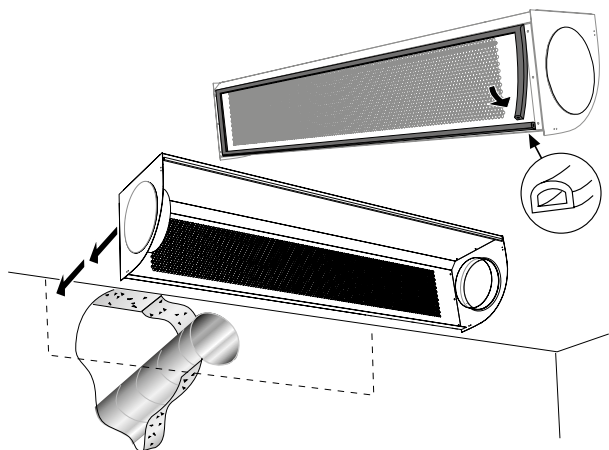


Figure 2a. Rear connected IBIS W, application of gasket.

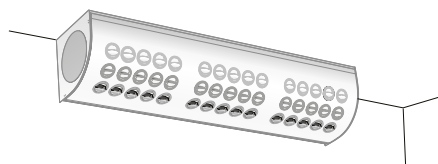


Figure 2b. Rear connected IBIS W, fully installed.

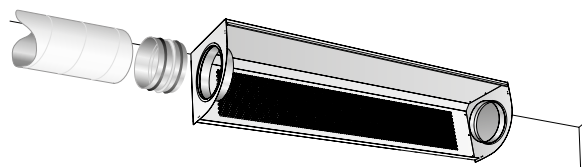


Figure 3a. Side connected IBIS W. Application of gasket, see figure 2a.



Figure 3b. Side connected IBIS W, fully installed.

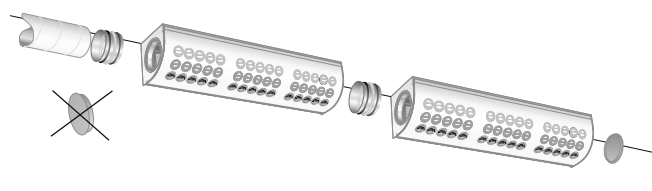


Figure 4. IBIS W, connected in series.

Dimensions and weights

Weight
12.1 kg

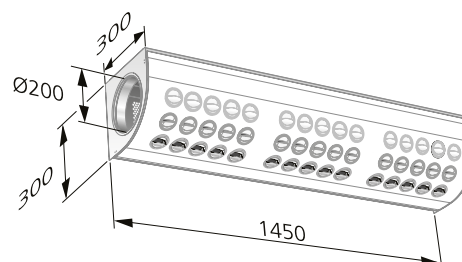
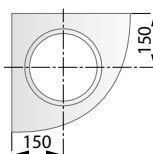


Figure 5. IBIS W dimensions.