



WHD

Combined fresh air/
exhaust air hood for homes



Technical description

Combined fresh air/exhaust air hood for wall mounting in homes that effectively prevent water to be carried into the fresh air stream

Design

WHD is a combined fresh air / exhaust air hood for wall mounting. The exhaust air is evacuated horizontally through a circular wire mesh grille at the front of the hood. Through a wire mesh in the bottom fresh air is taken in. The design prevents short circuit between the exhaust air / fresh air and at the same time prevent water to be carried into the fresh air.

Materials and finish

WHD is manufactured in ABC guaranteed sheet metal with 15 years paint coating warranty to corrosion class C4. Available standard colours are black, brick red and zinc grey. Additional colours are available on request.

Project planning

Design according to sizing charts.

Maintenance

Evacuation of aerosols and powder snow or icing can not be ruled out in unfavourable conditions.

Dimension	Fresh airflow @ 20 Pa		Exhaust airflow @ 30 Pa	
	l/s	m ³ /h	l/s	m ³ /h
WHD 125	68	245	48	172
WHD 160	96	344	80	288
WHD 200	150	540	120	432
WHD 250	243	874	190	684

Installation instructions

Step 1

The unit consists of an external wall hood with connections.

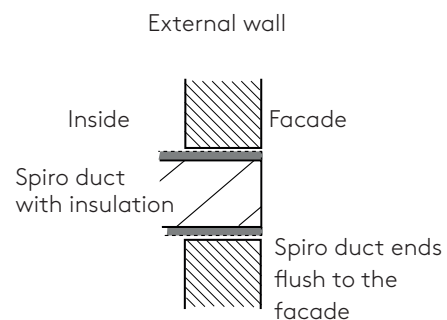
Step 2

Make holes in the wall and pull the spiro ducts for exhaust air and fresh air so that the duct ends flush with the façade. The ducts should be insulated all the way out to the façade.

Afterwards, seal the holes in the wall carefully.

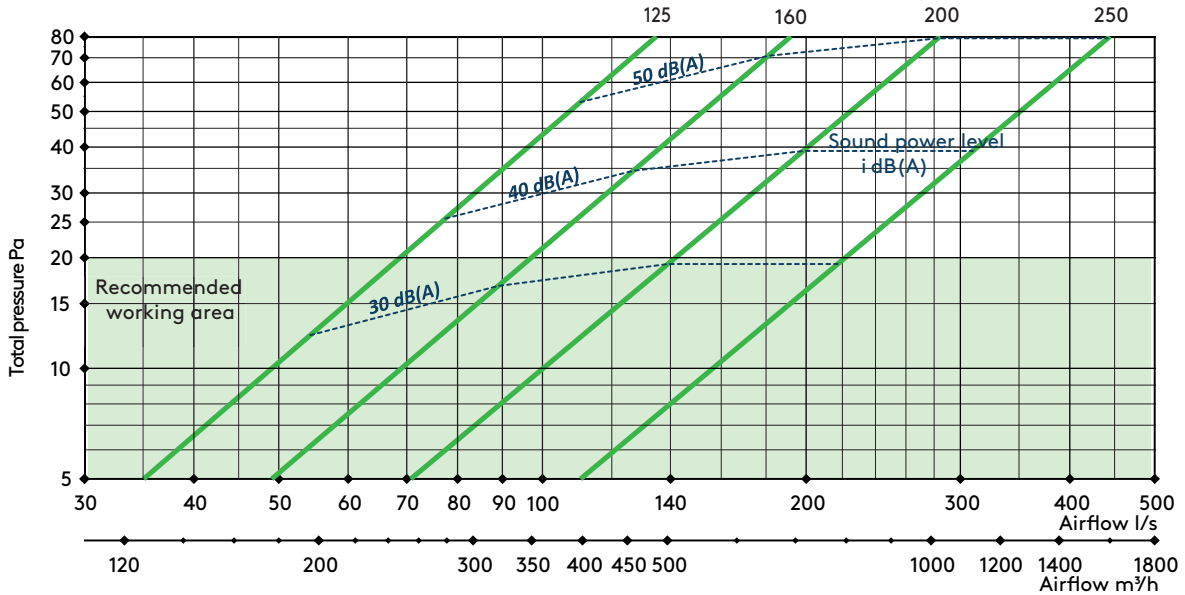
Step 3

The hood has rubber seal duct connections. Connect the unit to the outdoor air and fresh air duct. Secure the hood against the façade in an appropriate way. Use sealants or similar to prevent water from entering between the façade and the unit.

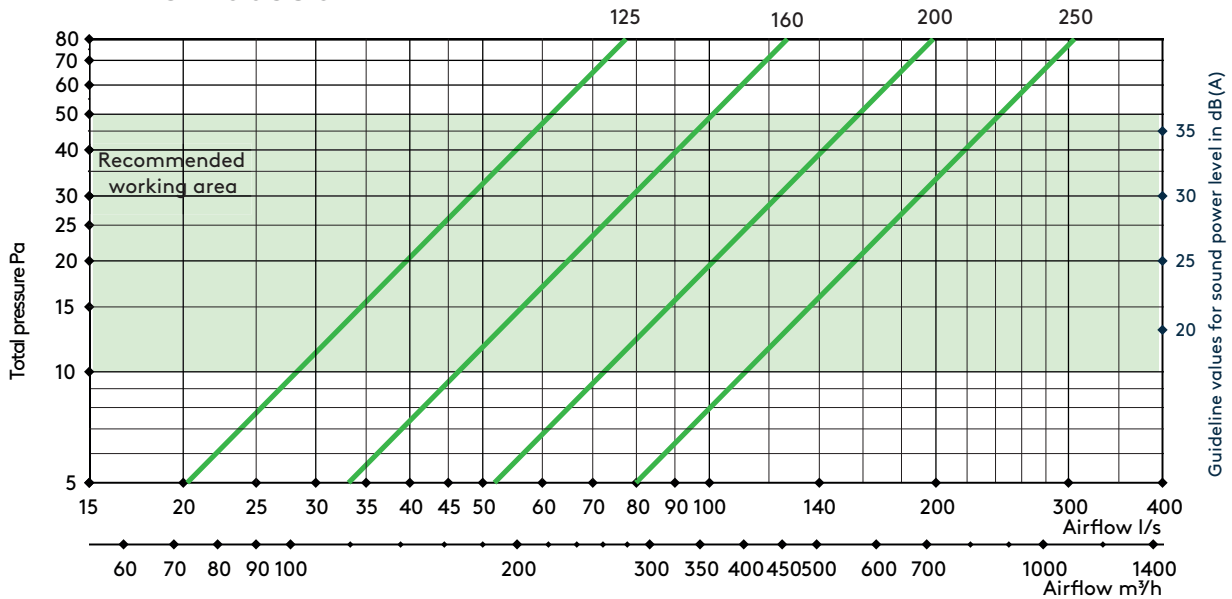


Sizing

WHD fresh air



WHD exhaust air

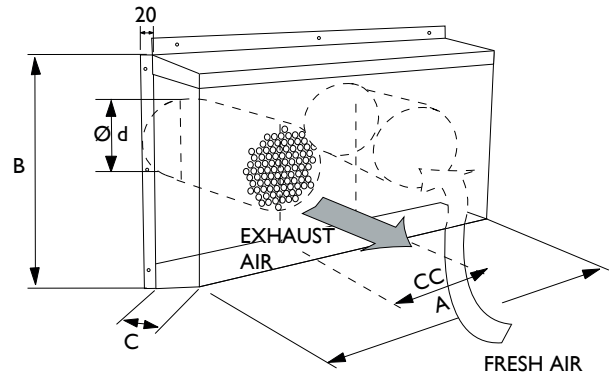


Distance (m)	1	2	4	6	8	10
Correction (dB)	-5	-11	-17	-21	-23	-25

Dimensions

WHD

Dim.	∅ d (mm)	A (mm)	B (mm)	C (mm)	CC (mm)
125	123	400	255	115	185
160	158	470	295	115	225
200	198	560	335	150	260
250	248	660	400	185	310



Order key

Product

Combined external wall hood:	WHD	aaa	-b
Dimension:	125, 160, 200, 250		
Colour:	B=black, R=brick red, Z=zinc grey		

Specification text

QMC.2 COMBINED EXTERNAL WALL HOOD

Combined external wall hood WHD manufactured in ABC guaranteed sheet metal with 15 years paint coating warranty to corrosion class C4.

WHXX
 Supplier: Swegon
 Type: WHD
 Dimension / colour: XXX-X X st.

Feel good **inside**



Swegon 