



## WGS

External wall grille  
for homes



# Technical description

## Design

WGS is an external wall mounted grille for fresh air / exhaust air in homes at sheltered and normally exposed locations. WGS consists of a mounting frame with removable lamellas and a backing box with integrated wire mesh net. WGS is equipped with a circular rubber seal inlet connection.

## Materials and finish

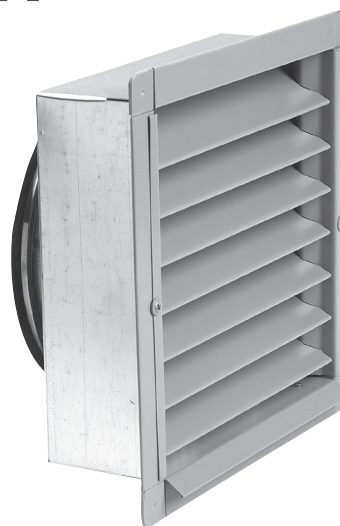
ABC VHS is manufactured in ABC guaranteed sheet metal with 15 years paint coating warranty to corrosion class C4. Available standard colours are black, brick red and zinc grey. Additional colours are available on request.

## Project planning

Design according to sizing charts.

## Maintenance

Evacuation of aerosols and powder snow or icing can not be ruled out in unfavourable conditions.



Dimension	Fresh airflow @ 20 Pa		Exhaust airflow @ 30 Pa	
	l/s	m <sup>3</sup> /h	l/s	m <sup>3</sup> /h
WGS 125	60	216	68	244
WGS 160	89	320	104	374
WGS 200	150	540	165	594
WGS 250	225	810	246	885

# Installation instruction

## Step 1

WGS consisting of a mounting frame with removable lamellas. Start by loosening the mounting screws holding the lamellas in the mounting frame. Lift out the insert so the framework becomes empty.



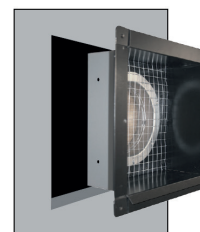
Mounting frame



Lamella insert

## Step 2

Make a hole in the wall based on the dimension of the mounting frame. Then mount the frame into the hole. Fasten the frame with required mounting material depending on the type of facade.



## Step 3

After the frame is fixed to the facade, put the insert into place and tightened by supplied screw.

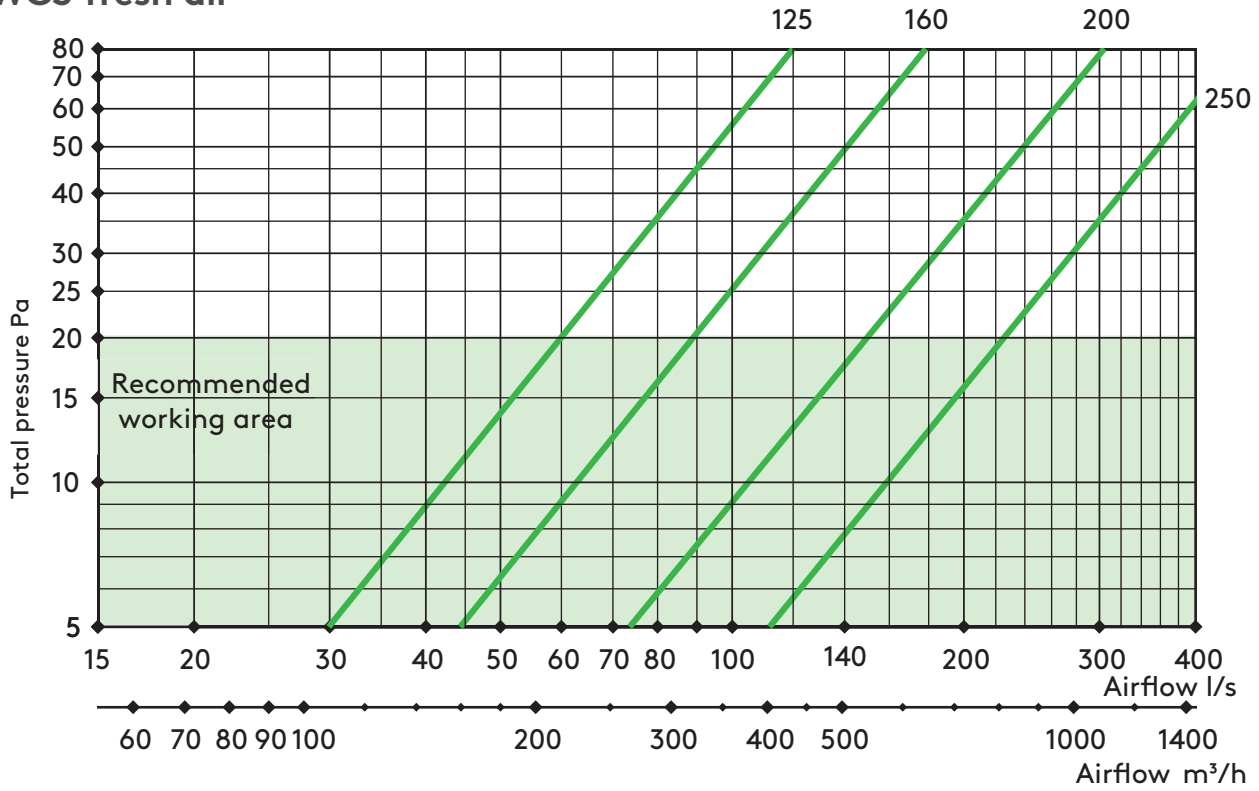


Reassemble the lamella insert with the supplied screws

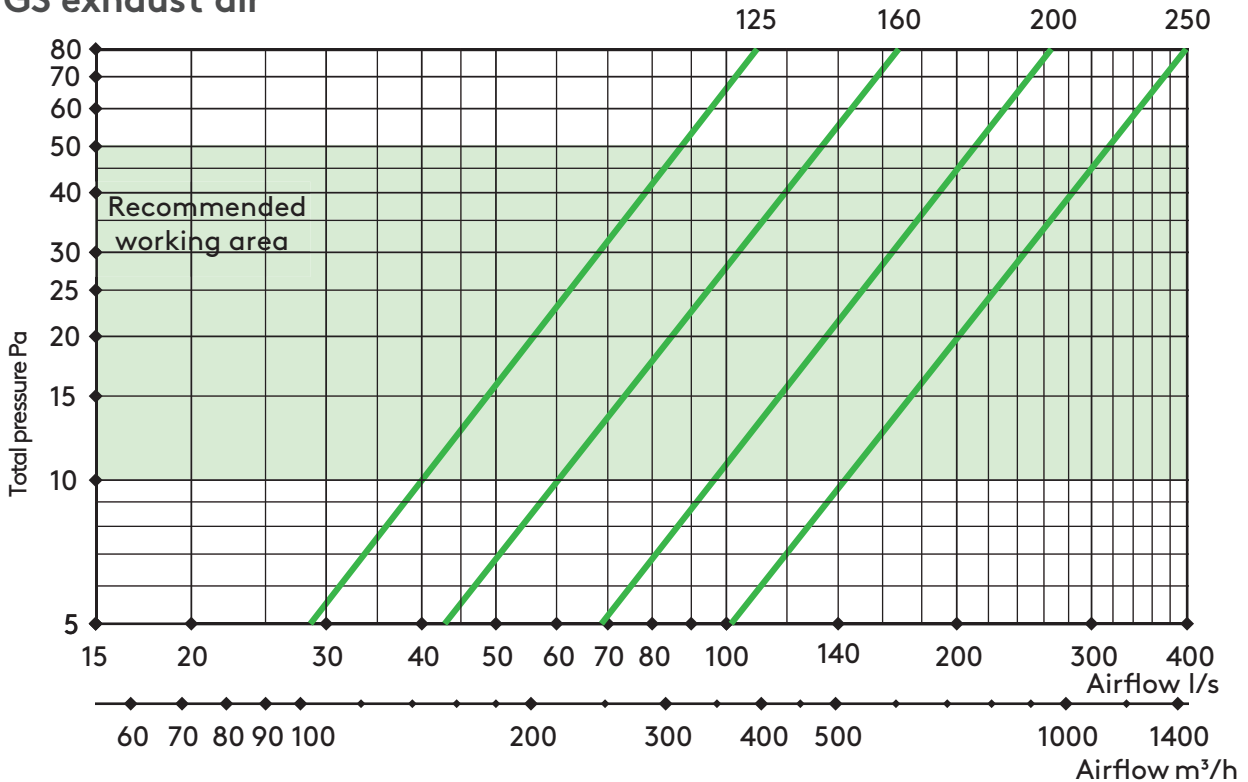
Use top tinplate to avoid water to go in behind the grille. Seal accordingly.

# Sizing

## WGS fresh air



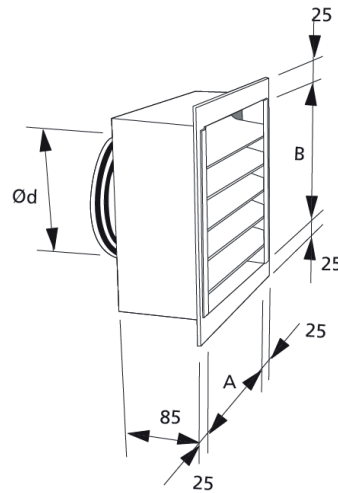
## WGS exhaust air



# Dimensions and weight

## WGS

Dim.	A (mm)	B (mm)	ØDd (mm)	Weight (kg)
125	195	195	125	1
160	245	245	160	2
200	295	295	200	3
250	395	395	250	6



## Order key

### Product

External wall grille:	WGS	aaa	-b
Dimension: 125, 160, 200, 250			
Colour: B=black, R=brick red, Z=zinc grey			

## Specification text

QMC.2

EXTERNAL WALL GRILLE

External wall grille WGS manufactured in ABC guaranteed sheet metal with 15 years paint coating warranty to corrosion class C4.

THXX

Supplier:

Swegon

Type:

WGS

Dimension / colour:

XXX-X

X st.

Feel good **inside**

