



RHS

Exhaust/fresh air hood
for homes



Technical description

Design

RHS is a combined exhaust / fresh air hood for comfort ventilation when two ducts are needed. The bottom part is mounted in the roof slope. Exhaust air / fresh air part is protected under the hood roof and is provided with a small animal protective wire mesh.

Materials and finish

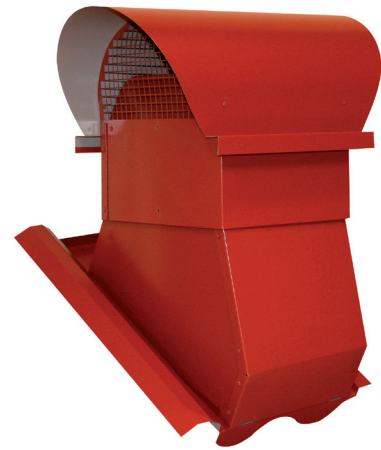
ABC VHS is manufactured in ABC guaranteed sheet metal with 15 years paint coating warranty to corrosion class C4. Available standard colours are black, brick red and zinc grey. Additional colours are available on request.

Project planning

Design according to sizing charts

Maintenance

Evacuation of aerosols and powder snow or icing can not be ruled out in unfavourable conditions.



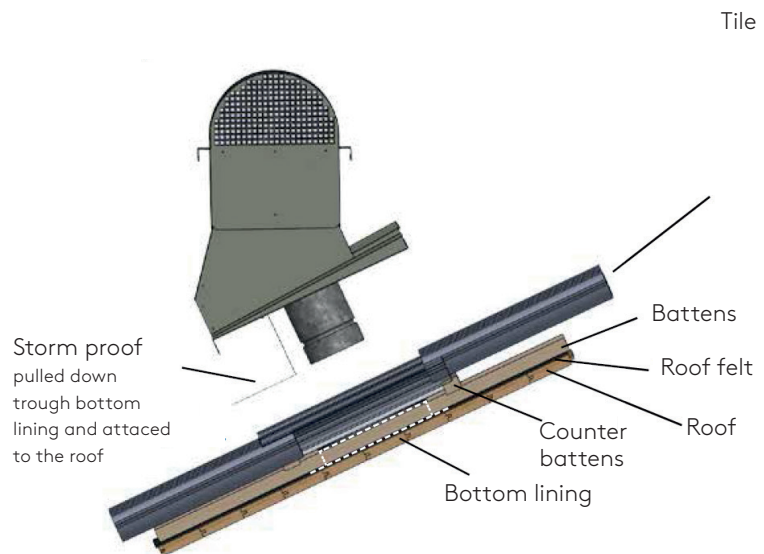
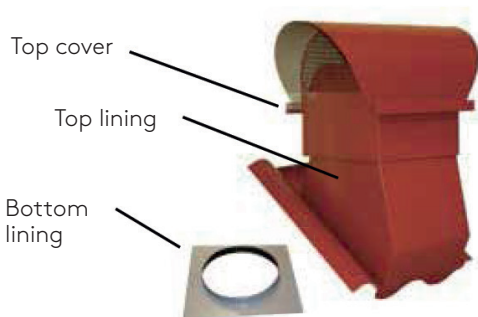
Dimension	Fresh airflow @ 20 Pa		Exhaust airflow @ 30 Pa	
	l/s	m ³ /h	l/s	m ³ /h
RHS 160	80	288	100	360
RHS 200	135	486	190	684
RHS 250	180	648	220	792

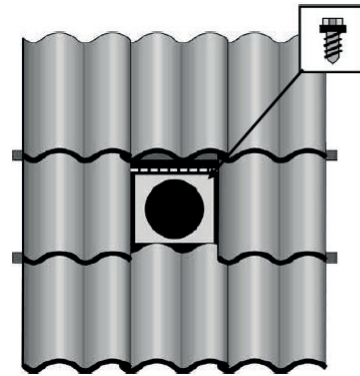
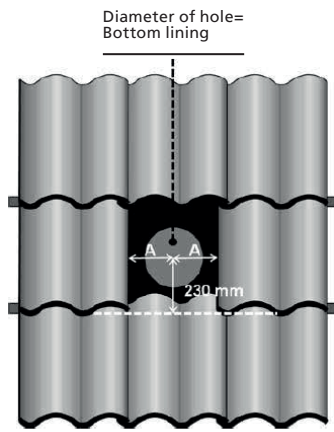
Installation instruction

Included parts

- 2 pcs. Staps 4.8 x 19 – Top cover
- 2 pcs. Staps 4.8 x 19 – Top lining
- 8 pcs. Staps 4.8 x 19 – Bottom lining
- 1+1 Staps 4.8 x 35 + 4.8 x 19 – storm proof

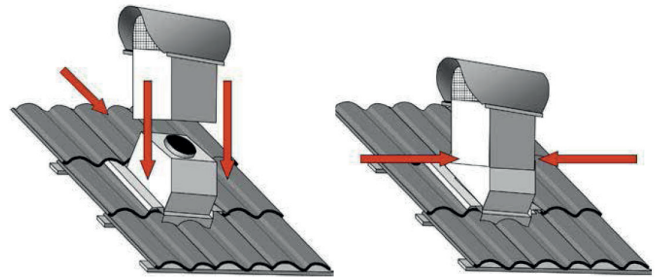
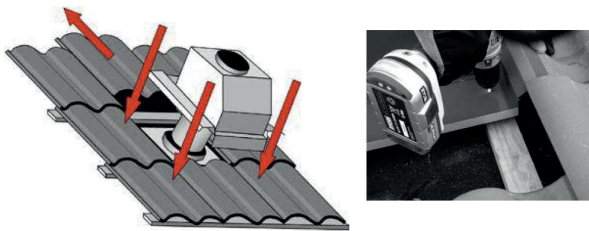
Outline drawing





1. Mark out where the hood will be placed. Affected tiles are removed. Make sure that you do not end up above a roof truss, or other inappropriate place. Drill the hole perpendicularly to the ceiling. In height, the centre of the hole should be 230 mm from the bottom of the tiles. Sideways, the hole is placed in the middle, measure A to be equal. When mounting $\varnothing 200$ and $\varnothing 250$ the distance is 400 mm from the bottom of the tiles to the centre of the hole.

2. Make a cut in the roof felt, and insert 20 mm of the bottom lining under the felt. Fasten with the supplied screw. Seal the joints and screws with water resistant sealing compound



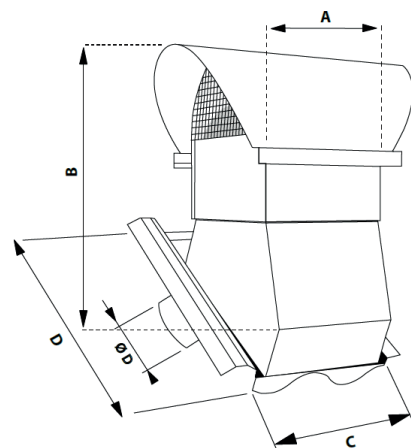
3. The above-lying tiles is pushed up against the ridge to facilitate mounting of the top lining. Assemble the top lining at the same angle as the roof. This is done by placing the isolated duct through the bottom lining. Then screw the top lining in the existing battens.

4. Install the top vertical, screw it to the top lining with the supplied screws. After the assembly the overlying tiles are pushed back to its original position.

Dimensions

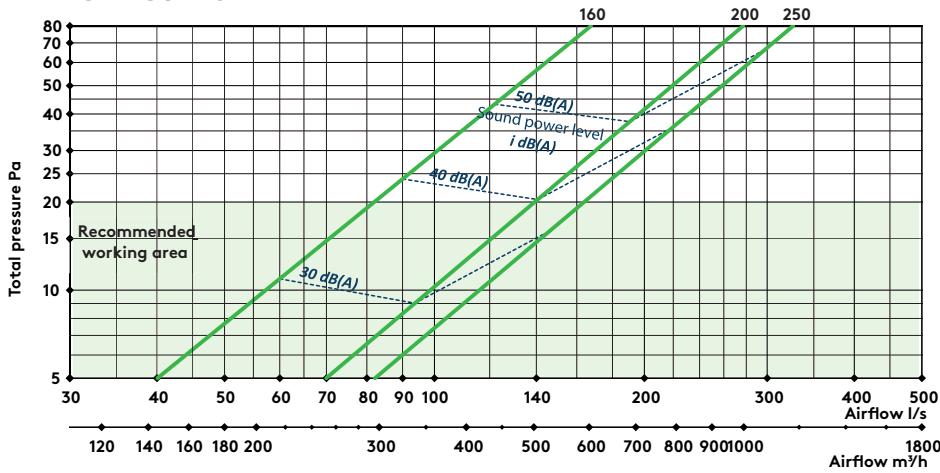
RHS

Dim.	A (mm)	B (mm)	C + D	$\varnothing D$ (female)
160	230	~ 500	Replaces one tile	160
200	360	~ 600	Replaces four tiles	200
250	360	~ 600	Replaces four tiles	250



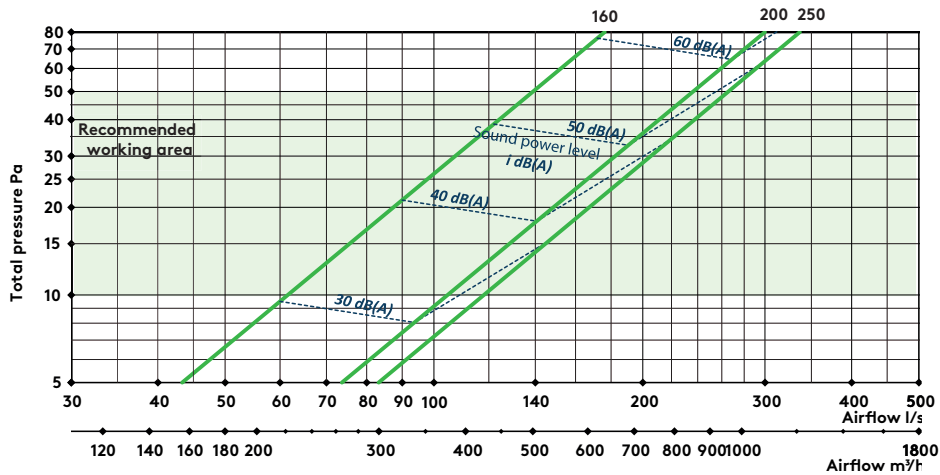
Sizing

RHS fresh air



Correction of sound based on distance dB(A)	
Distance m	Correction
5	-22
10	-28
15	-32
20	-34
30	-38
40	-40
50	-42
60	-44

RHS exhaust air



Order key

Product

Exhaust / fresh air hood: **RHS** **aaa** **-b**

Dimension: **160, 200, 250**

Colour: B=black, R=brick red, Z=zinc grey

Specification text

QMC.2

EXHAUST / FRESH AIR HOOD

Exhaust / Fresh air hood RHS manufactured in ABC guaranteed sheet metal with 15 years paint coating warranty to corrosion class C4.

THXX

Supplier:

Swegon

Type:

RHS

Dimension / colour:

XXX-X

X pcs.

Feel good **inside**

