



## RHD

Combined exhaust/  
fresh air hood for homes



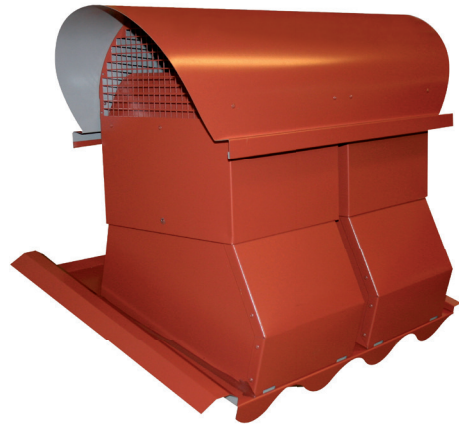
# Technical description

## Design

RHS is a combined exhaust / fresh air hood for comfort ventilation when two ducts are needed. The bottom part is mounted in the roof slope. Exhaust air / fresh air part is protected under the hood roof and is provided with a small animal protective wire mesh.

## Materials and finish

ABC VHS is manufactured in ABC guaranteed sheet metal with 15 years paint coating warranty to corrosion class C4. Available standard colours are black, brick red and zinc grey. Additional colours are available on request.



## Project planning

Design according to sizing charts

## Maintenance

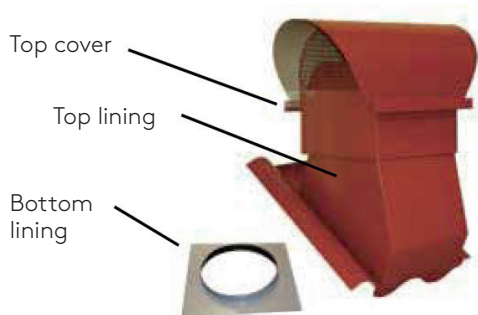
Evacuation of aerosols and powder snow or icing can not be ruled out in unfavourable conditions.

Dimension	Fresh airflow @ 20 Pa		Exhaust airflow @ 30 Pa	
	l/s	m <sup>3</sup> /h	l/s	m <sup>3</sup> /h
RHD 160	70	252	65	234
RHD 200	110	396	105	378

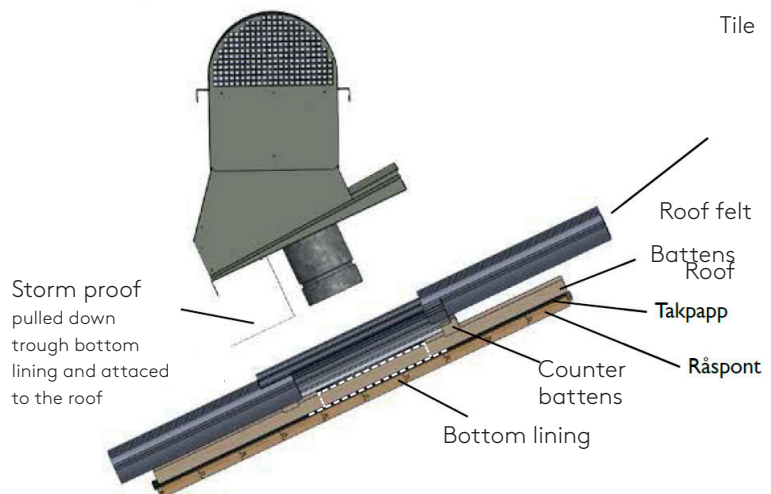
# Installation instructions

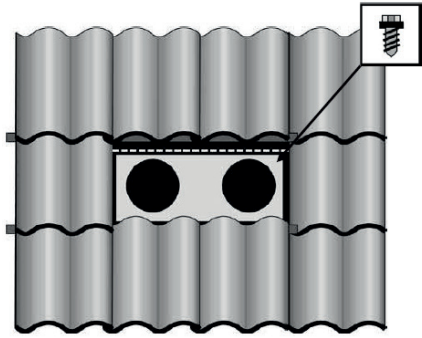
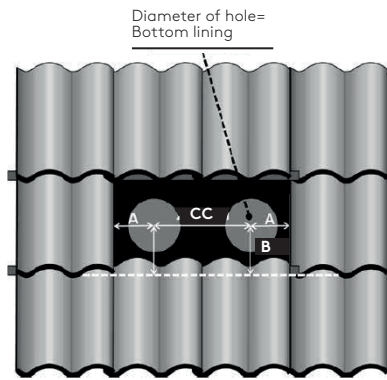
## Included parts

- 2 pcs. Staps 4.8 x 19 – Top cover
- 2 pcs. Staps 4.8 x 19 – Top lining
- 8 pcs. Staps 4.8 x 19 – Bottom lining
- 1+1 Staps 4.8 x 35 + 4.8 x 19 – storm proof



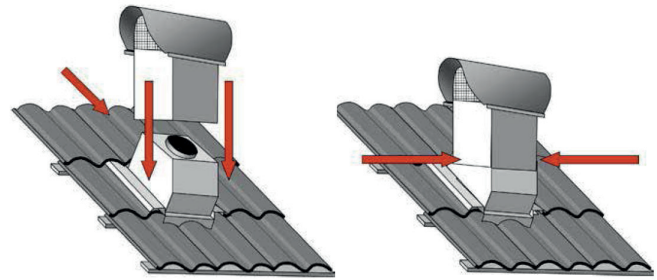
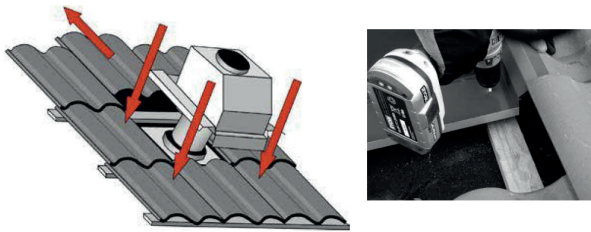
## Outline drawing





1. Mark out where the hood will be placed. Affected tiles are removed. You may also need to remove disturbing battens. Make sure that you do not end up above a roof truss, or other inappropriate place. Drill the hole perpendicularly to the ceiling. In height, the centre of the hole should be  $B = 230$  mm from the bottom of the tiles for RHD  $\varnothing 160$ , and  $B = 400$  for RHD  $\varnothing 200$ . Sideways, the hole is placed in the middle, measure A to be equal. For RHD  $\varnothing 160$  the distance between the holes should be  $CC = 265$  mm, and for RHD  $\varnothing 200$  should be  $CC = 376$  mm.

2. Make a cut in the roof felt, and insert 20 mm of the bottom lining under the felt. Fasten with the supplied screw. Seal the joints and screws with water resistant sealing compound.



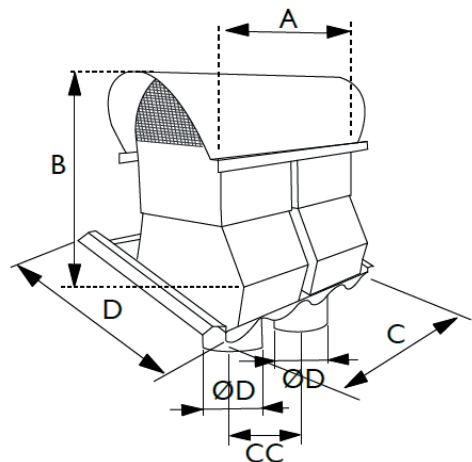
3. The above-lying tiles is pushed up against the ridge to facilitate mounting of the top lining. Assemble the top lining at the same angle as the roof. This is done by placing the isolated duct through the bottom lining. Then screw the top lining in the existing battens.

4. Install the top vertical, screw it to the top lining with the supplied screws. After the assembly the overlying tiles are pushed back to its original position.

# Dimensions

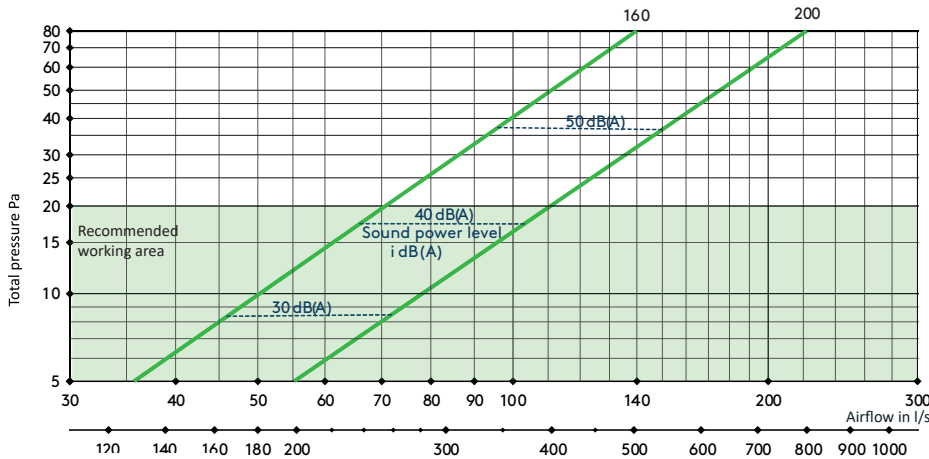
## RHD

Dim.	A (mm)	B (mm)	C + D	CC (mm)
160	450	600	Replaces two tiles	265
200	705	600	Replaces eight tiles	376



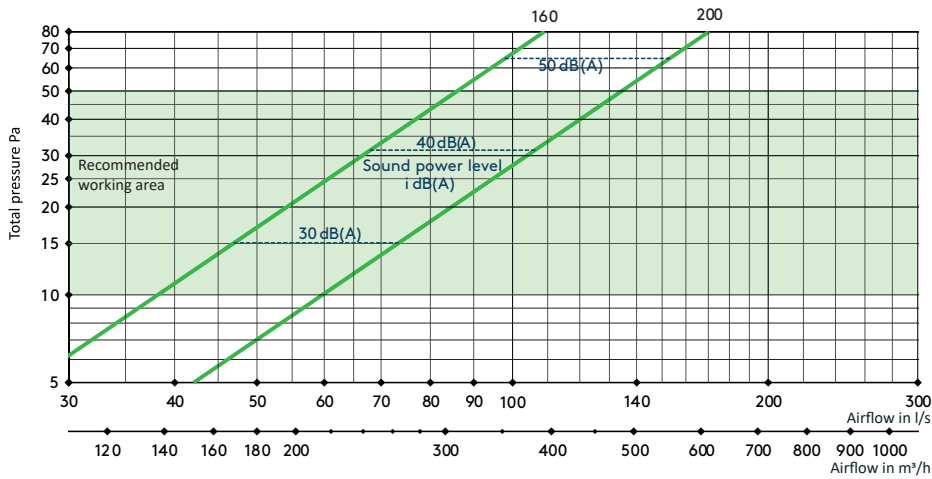
# Sizing

## RHD fresh air



Correction of sound based on distance dB(A)	
Distance m	Correction
5	-22
10	-28
15	-32
20	-34
30	-38
40	-40
50	-42
60	-44

## RHD exhaust air



Correction of sound based on distance dB(A)	
Distance m	Correction
5	-22
10	-28
15	-32
20	-34
30	-38
40	-40
50	-42
60	-44

## Order key

### Product

Comb. exhaust / fresh air hood: **RHD** **aaa** **-b**

Dimension: **160, 200**

Colour: B=black, R=brick red, Z=zinc grey

## Specification text

QMC.2

COMBINED EXHAUST / FRESH AIR HOOD

Combined exhaust / Fresh air hood RHD manufactured in ABC guaranteed sheet metal with 15 years paint coating warranty to corrosion class C4.

THXX

Supplier:

Swegon

Type:

RHD

Dimension / colour:

XXX-X

X pcs.

Feel good **inside**

