

SOTTO_d

Installation – Commissioning – Maintenance

20190520

Accessories

Disc valve:

TRAC. The disc valve is made of sheet steel and is painted in our standard white colour: RAL 9003/NCS S 0500-N. The disc valve is also available in optional standard colours: RAL 7037 dusty grey, RAL 9006 white aluminium, RAL 9005 jet black, RAL 9007 grey aluminium and RAL 9010 white.

Used on one side of the wall when only one sound baffle is required.

Wall sleeve:

VGC. Circular telescopic wall sleeve made of galvanized sheet steel.

Installation

Cut the opening according to the dimensions table. Secure the mounting frame with screws on the wall. The arrow on the mounting frame should point upwards. Press the sound baffle to engage it over the spring fasteners of the mounting frame, see figure 1.

Maintenance

Clean the baffle and sound absorbing material, if necessary, using a vacuum cleaner with a brush nozzle or with lukewarm water and dishwashing detergent.

The whole sound absorbing material can be replaced if necessary.

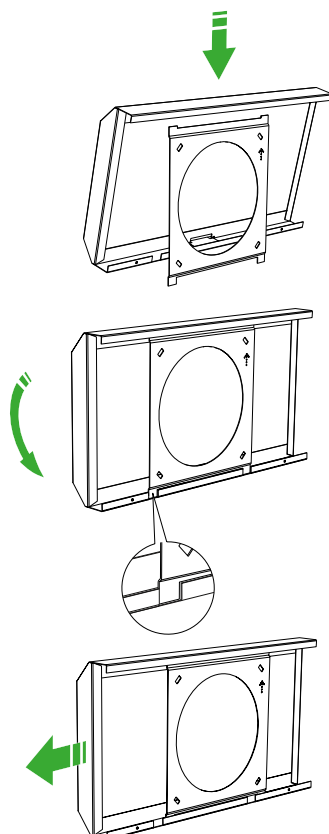


Figure 1. Installation.

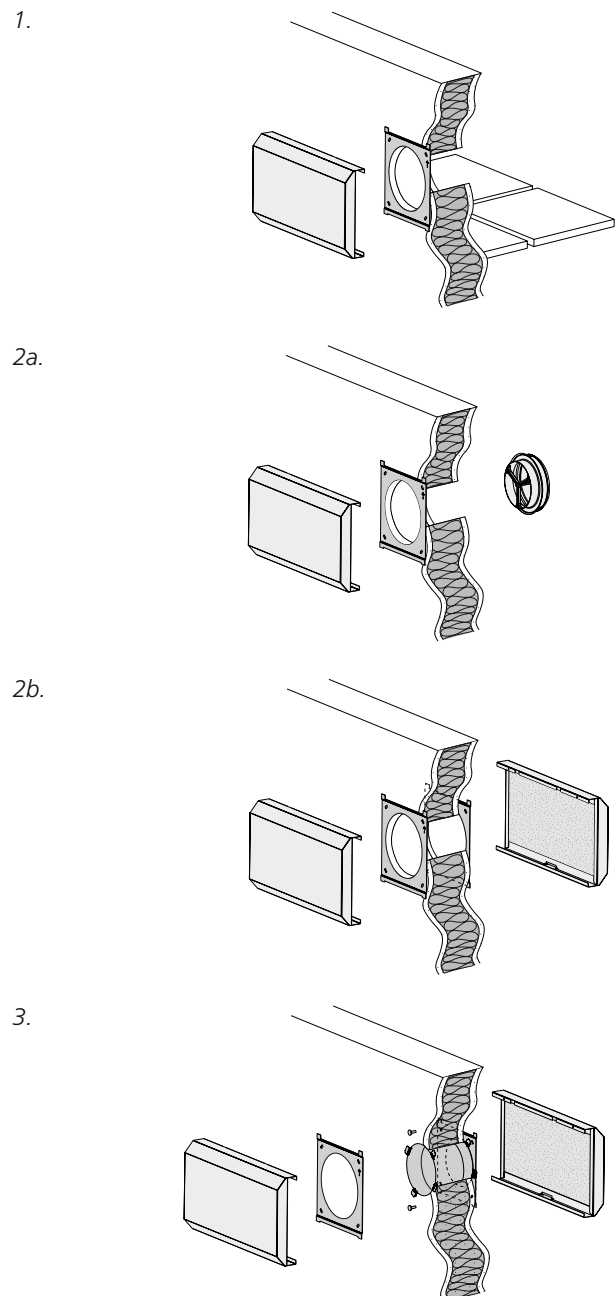


Figure 2. Application options.

1. Concealed installation towards a corridor.
2. Visible installation towards the corridor, the SOTTO can be supplemented with a TRAC (2a) disc valve, or double SOTTO (2b).
3. As in 2b, but with VGC wall sleeve.

Dimensions and weights

SOTTO

Size	Dimensions (mm)					Weight (kg)
	A	B	C	ØD	ØI	
80-100	170	110	167	100	80	0,80
80-100	170	110	167	100	100	0,80
125-160	220	160	217	160	125	0,93
125-160	220	160	217	160	160	0,93

Size of the opening, SOTTO = ØI.

NOTE! Two physical sizes.

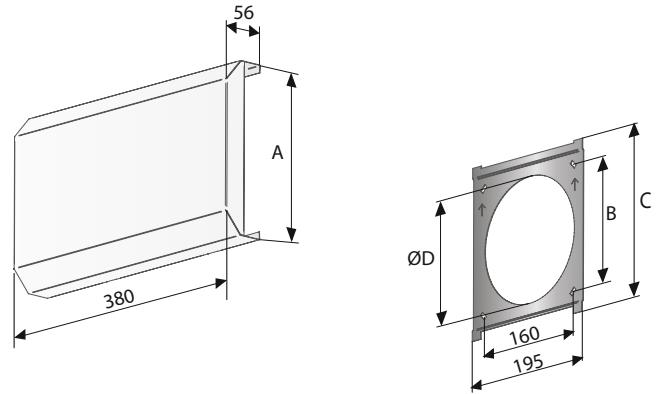


Figure 3. SOTTO, dimensions.

VGC

Size	Dimensions (mm)		Weight (kg)
	C	ØD	
80	80-160	80	0,22
100	80-160	100	0,30
125	80-160	125	0,33
160	80-160	160	0,42

Size of opening, VGC = ØD + 3 mm.

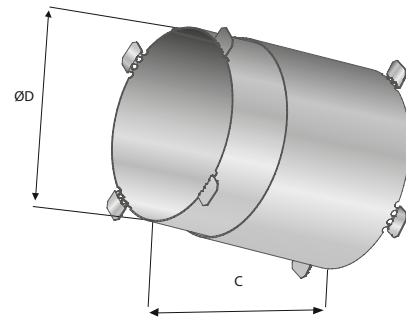


Figure 4. VGC, dimensions.

TRAC

Size	Dimensions (mm)					Weight (kg)
	ØA	Ød	ØD	H _{max}	s	
80	100	77	90	35	15-20	0,16
100	120	97	110	45	15-20	0,19
125	150	122	140	45	15-20	0,26
160	190	157	180	55	15-20	0,37

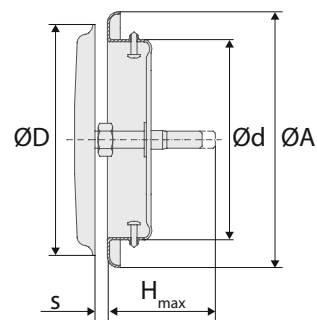


Figure 5. TRAC, dimensions.