

LTA_b

Installation – Commissioning – Maintenance

20200611

Installation

The Type 1 should be secured with screws in a wall/door via the countersunk screw holes.

The Type 2 is designed for mortising in doors/panels, etc. and should be clamped firmly using mouldings, folds, etc. See Figure 1. Size of opening according to the table on page 2.

Maintenance

The grille can be cleaned, if necessary, using lukewarm water with dishwashing detergent added or by vacuum cleaning using a brush nozzle.

Dimensions and weights

LTA 1 + LTA 1-50

Size LTA	A	B	C	D	E	F	Weight, kg
200-100	200	100	183	83	190	90	0.4
300-100	300	100	283	83	290	90	0.5
400-100	400	100	383	83	390	90	0.6
500-100	500	100	483	83	490	90	0.7
600-100	600	100	583	83	590	90	0.8
800-100	800	100	783	83	790	90	1.2
300-150	300	150	283	133	290	140	0.7
400-150	400	150	383	133	390	140	0.8
500-150	500	150	483	133	490	140	1.0
600-150	600	150	583	133	590	140	1.2
800-150	800	150	783	133	790	140	1.6
300-200	300	200	283	183	290	190	0.9
400-200	400	200	383	183	390	190	1.1
500-200	500	200	483	183	490	190	1.3
600-200	600	200	583	183	590	190	1.5
800-200	800	200	783	183	790	190	1.9

Size of opening, see the nominal dimensions.

Example: Size of opening for LTA-1 400-200 = A x B = 400 x 200.

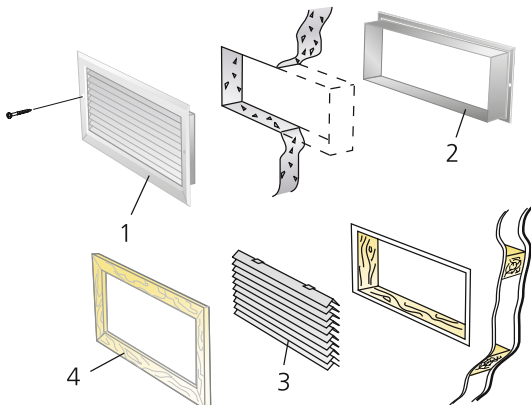


Figure 1. Installation.

- 1. LTA 1
- 2. LTAT 1-50
- 3. LTA 2
- 4. Wooden frame, not supplied

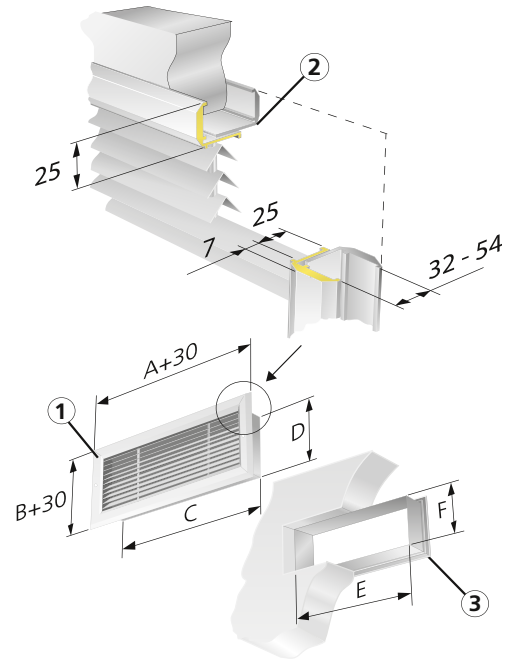


Figure 2. LTA.

- 1. LTA 1 (Grille with recessed holes in the outer frame)
- 2. LTA 1 + LTAT 1 assembled
- 3. LTAT 1 counter flange, accessory

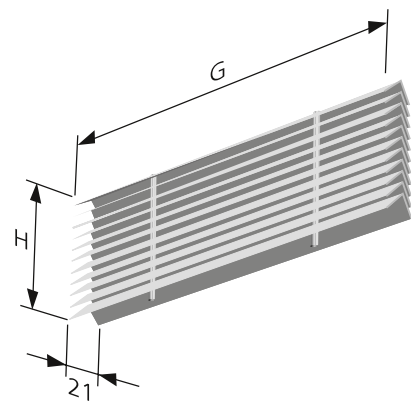


Figure 3. LTA 2.

G = Nominal width
H = Nominal height

Example:

LTA 2-200-100 G = 200 mm, H = 100 mm.