

CTM b / CTK b

Installation – Commissioning – Maintenance

09/10/2020

Art. 942428008

Design

Rectangular transfer unit. The sound attenuating baffle is filled with a sound-absorbing material with reinforced surface layer. CTK and CTM are made as standard of galvanised sheet steel.

CTK/CTM is available in three sizes.

Accessories

A grille for each opening is normally needed for CTK and CTM. GRL with FHB mounting frame is recommended if a grille for low-pressure drop is required, see page 2.

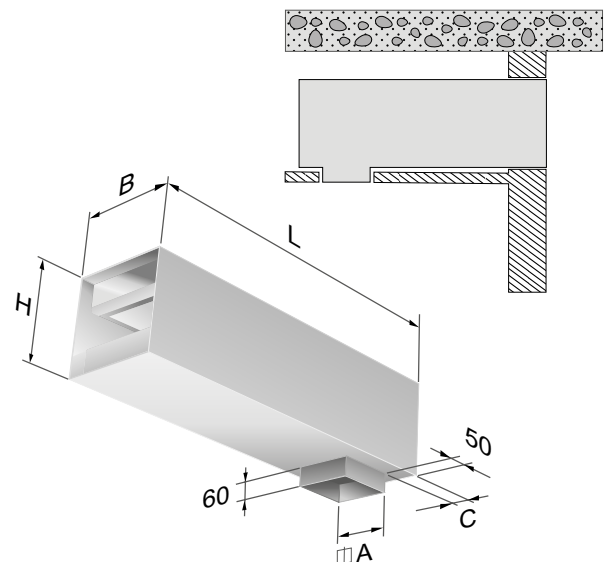
Installation

1. Make appropriate holes in the ceiling and wall.
2. Mount the product in these holes with fastening straps which are screwed to the unit and the building structure.
3. Fit a grille if required.

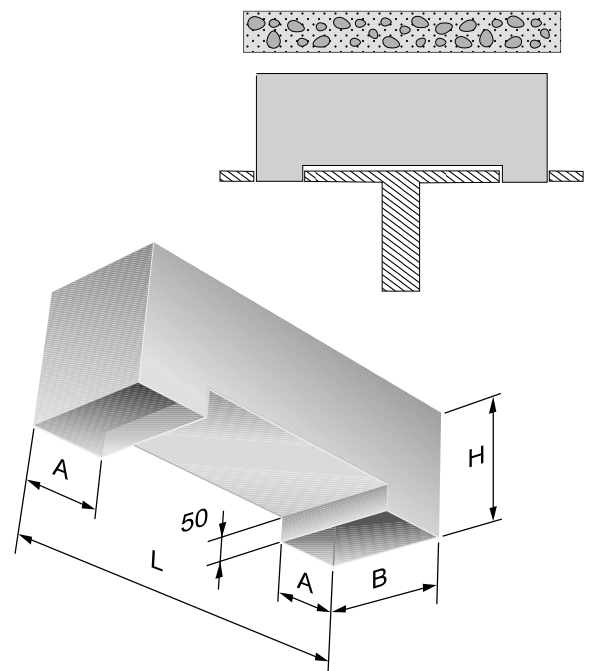
Size of the opening

	Size	A	B	C	H	L
CTK	150	150 +2	250 +5	50	250 +15	1000
	200	200 +2	300 +5	50	250 +15	1000
	300	300 +2	600 +5	150	250 +15	1000
CTM	300x150	150 +2	300 +5	-	225 +5	750
	500x150	150 +2	500 +5	-	225 +5	750
	800x200	200 +2	800 +5	-	250 +5	900

CTK



CTM



Accessories

A grille for each opening is normally needed for CTK and CTM. GRL with FHB mounting frame is recommended if a grille for low pressure drop is required.

Grille

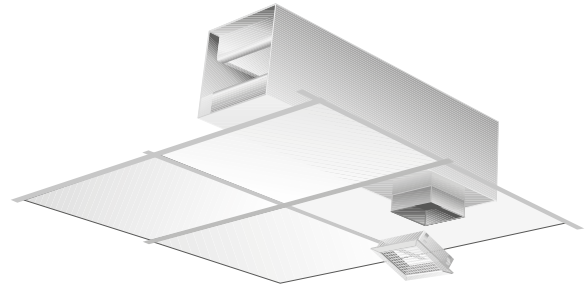
GRL. Designed using extruded aluminium sections and finished in our standard white colour.

Mounting frame

FHB. Made of galvanised sheet steel.

Installing the mounting frame and grille

1. The mounting frame is pushed into the duct and secure it in position with pop rivets.
2. The grille is then pressed into the mounting frame.



Installation of mounting frame FHB and grille GRL on CTK

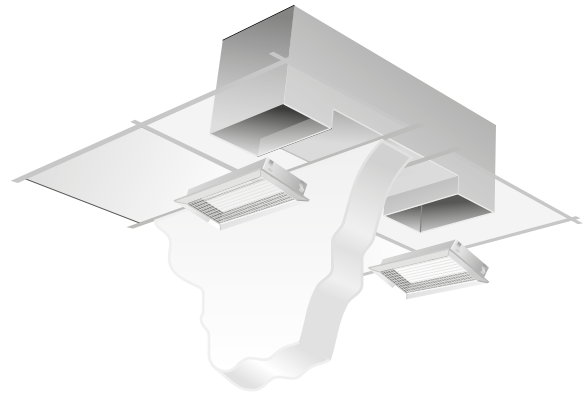
Commissioning

The product does not need to be commissioned. At the given size and pressure drop, the unit gives a fixed air volume.

A velocity measurement can be made to check the air volume across the unit.

Maintenance

The transfer unit is maintenance-free under normal operating conditions. The grille is cleaned when necessary using lukewarm water with dishwashing detergent added.



Installation of mounting frame FHB and grille GRL on CTM