

LTA

Light-blocking ventilation grille for walls



QUICK FACTS

- Light-blocking
- The LTA is supplied made of anodized aluminium as standard.
- Two ventilation grilles with black paint finish are sufficient for dark room walls.
- Telescopic counterflange

LTA Size	AIR FLOW - SOUND PRESSURE ROOM (L_{p10A} *)		
	10 Pa	15 Pa	20 Pa
200-100	14	19	21
400-100	30	35	42
600-100	46	55	65
400-150	52	62	72
600-150	70	83	100
800-150	110	130	150
400-200	70	83	100
600-200	110	130	150
800-200	142	180	200

The data applies to a grille placed in a wall.

**) L_{p10A} = Sound pressure incl. A-filter with 4 dB room attenuation and 10 m² room absorption area.*

Technical description

Design

The LTA is a light-blocking grille produced in two different variants.

The LTA 1 consists of a package with angled louvres mounted in an outer framework. The outer frame has countersunk screw holes.

The LTA 2 consists of a louvre package.

Materials and surface treatment

The entire grille is made of extruded aluminium profiled sections with an anodized finish.

- Alternative standard colours:
 - Silver gloss, lustre 80, RAL 9006
 - White semi-gloss, lustre 40, RAL 9010
 - White semi-gloss, lustre 40, RAL 9003/NCS S 0500-N
 - Grey aluminium gloss, lustre 80, RAL 9007
 - Black semi-gloss, lustre 35, RAL 9005
 - Grey semi-gloss, lustre 30, RAL 7037
- Other colours available on request.

Accessories

Counterflange:

LTAT 1. Telescopic counterflange: Serves as a wall sleeve.

Project planning

Primarily used as transfer diffusers in walls through which it is desirable to prevent the passage of light. By installing two grilles with black paint finish in a series, they can be used in a so-called dark room wall. See Figure 1.

The LTA 1 is used on one side of the wall or in pairs each on its own side of the wall.

The LTA 2 is designed for flush mounting in walls/doors.

Assembly

The Type 1 should be secured with screws in a wall/door via the countersunk screw holes.

The Type 2 is designed for mortising in doors/panels, etc. and should be clamped firmly using mouldings, folds, etc. See Figure 1.

Maintenance

The grille can be cleaned, if necessary, using lukewarm water and dishwashing detergent.

Environment

The Building Materials Declaration is available from www.swegon.com.

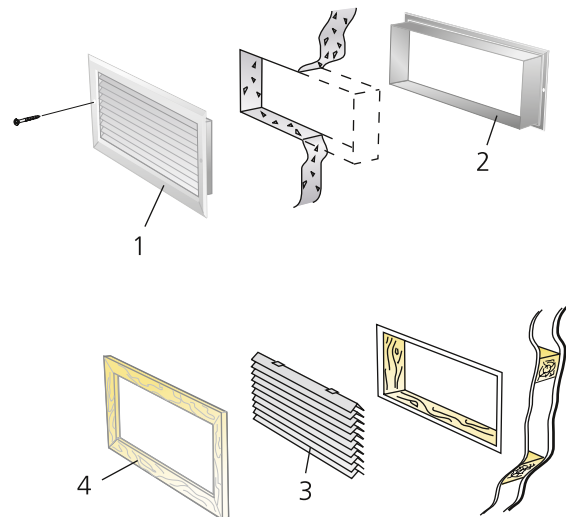


Figure 1. Project planning. Installation.

1. LTA 1
2. LTAT 1-50
3. LTA 2
4. Wooden frame, not supplied

Sizing

- The specified sound levels dB(A) are applicable to rooms with an equivalent sound absorption area of 10 m².

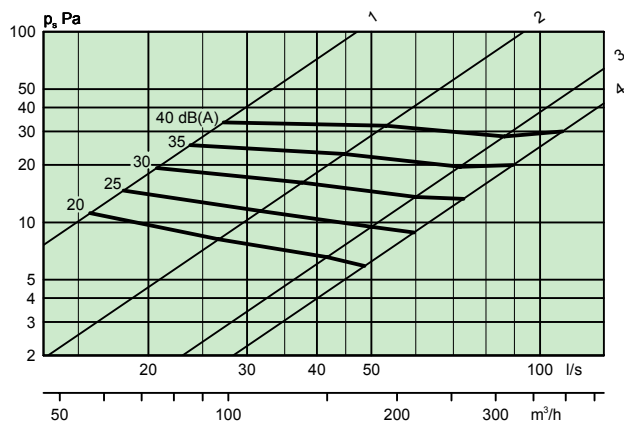
Sizing diagram

LTA – Transfer air

Air flow – Pressure drop – Sound level

- The diagrams illustrate data for a grille placed in a wall opening.
- The diagrams should not be used for commissioning.
- The dB(A) values are for rooms with normal acoustic absorption (4 dB room attenuation).
- The dB(C) value is normally 6-9 dB higher than the dB(A) value.

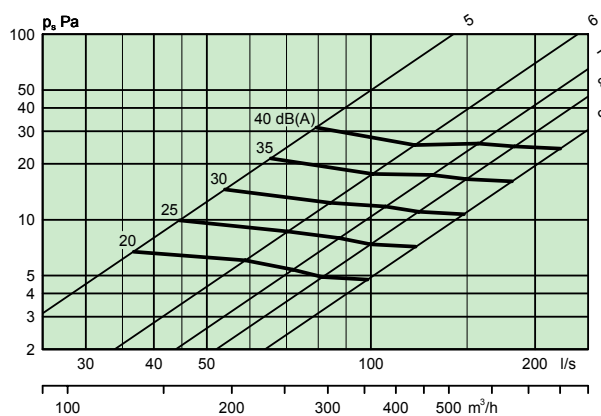
LTA 200-100 – 400-200



Size designations

1. 200-100
2. 400-100
3. 400-150
4. 400-200

LTA 600-100 – 800-200



Size designations

5. 600-100
6. 600-150
7. 600-200
8. 800-150
9. 800-200

Dimensions and weights

LTA 1 + LTA 1-50

Sizes LTA	A	B	C	D	E	F	Weight, kg
200-100	200	100	183	83	190	90	0.4
300-100	300	100	283	83	290	90	0.5
400-100	400	100	383	83	390	90	0.6
500-100	500	100	483	83	490	90	0.7
600-100	600	100	583	83	590	90	0.8
800-100	800	100	783	83	790	90	1.2
300-150	300	150	283	133	290	140	0.7
400-150	400	150	383	133	390	140	0.8
500-150	500	150	483	133	490	140	1.0
600-150	600	150	583	133	590	140	1.2
800-150	800	150	783	133	790	140	1.6
300-200	300	200	283	183	290	190	0.9
400-200	400	200	383	183	390	190	1.1
500-200	500	200	483	183	490	190	1.3
600-200	600	200	583	183	590	190	1.5
800-200	800	200	783	183	790	190	1.9

Size of opening, see the nominal dimensions.

Example:

Size of opening for LTA-1,400-200 = A x B = 400 x 200.

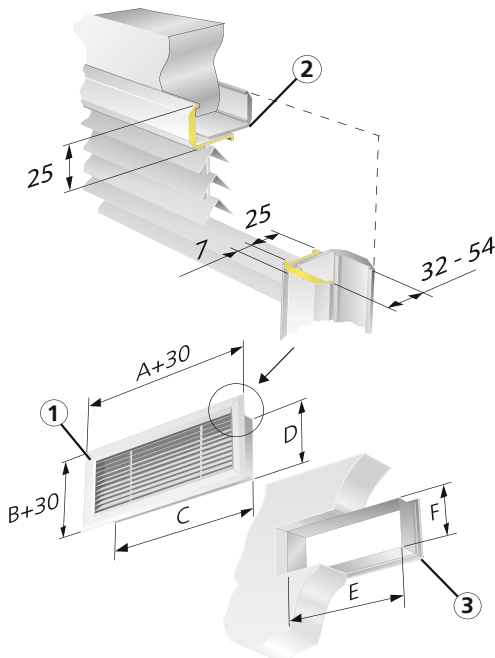


Figure 2. LTA.

1. LTA 1 (Grille with recessed holes in the outer frame)
2. LTA 1 + LTAT 1 assembled
3. LTAT 1 counter flange, accessory

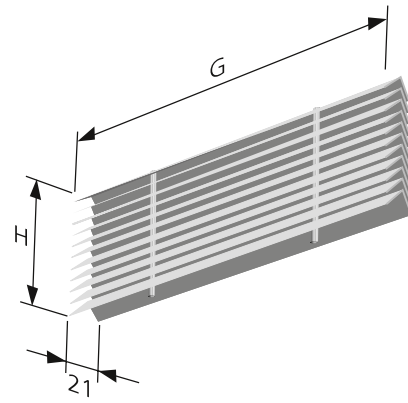


Figure 3. LTA 2.

G = Nominal width

H = Nominal height

Example:

LTA 2-200-100 G = 200 mm, H = 100 mm.

Ordering key

Product

Light-blocking ventilation grille for walls LTA b -a -bbb-ccc

Version:

LTA: 1, 2

Size: (See Dimension table)

Accessories

Counterflange: LTAT 1 b -50

Version:

Variant:

Specification text

Swegon's type LTA rectangular light-blocking grille, with the following functions:

- Fixed light-blocking louvres
- Made of anodized aluminium

Accessories:

Counterflange: LTAT 1b-50 xx items

Size: LTA b a - bbb - ccc xx items